

Network Video Recorder

NVR501-B Series



Key Features

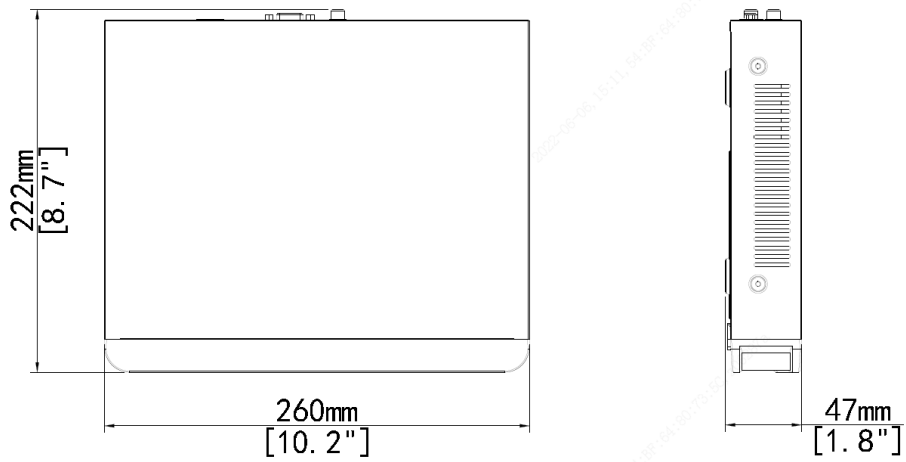
- Support Ultra 265/H.265/H.264 video formats
- 4/8/16-channel input
- Support mainstream cameras of ONVIF conformance(Profile S, Profile G, Profile T) and RTSP protocols
- HDMI and VGA simultaneous output
- Up to 8 Megapixels resolution recording
- 1 SATA HDD, up to 8TB for each HDD
- ANR technology to enhance the storage reliability when the network is disconnected
- Support cloud upgrade

Specifications

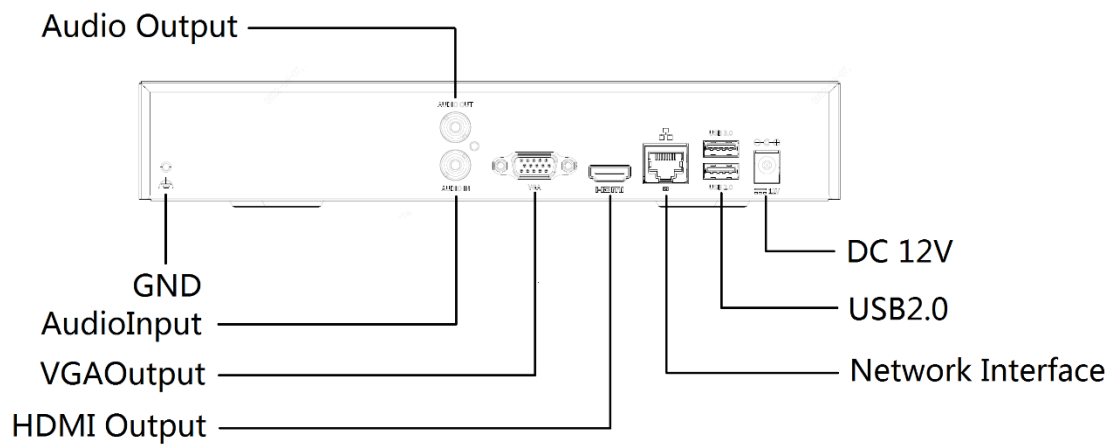
| Model | NVR501-04B | NVR501-08B | NVR501-16B |
|-----------------------------|--|------------|--------------------|
| Video/Audio Input | | | |
| IP Video Input | 4-ch | 8-ch | 16-ch |
| Audio Input | 1-ch, RCA | | |
| Network | | | |
| Incoming bandwidth | 80Mbps | | |
| Outgoing bandwidth | 64Mbps | | |
| Remote Users | 128 | | |
| Protocols | TCP/IP, P2P, UPnP, NTP, DHCP, PPPoE, HTTP, HTTPS, DNS, DDNS, SNMP, SMTP | | |
| Browser | IE(IE10/11) for Windows Firefox (version 52.0 and above) for Windows Chrome(version 45 and above) for Windows Edge(version 79 and above) for Windows | | |
| Video/Audio Output | | | |
| HDMI/VGA Output | HDMI: 4K (3840x2160)@30, 1920x1080p@60, 1920x1080p@50, 1600x1200@60, 1280x1024@60, 1280x720@60, 1024x768@60 VGA: 1920x1080p@60, 1920x1080p@50, 1280x1024@60, 1600x1200@60, 1280x720@60, 1024x768@60 | | |
| Recording Resolution | 8MP/6MP/5MP/4MP/3MP/1080p/960p/720p/D1/2CIF/CIF | | |
| Audio Output | 1-ch, RCA | | |
| Two-way Audio | 1-ch, RCA(Using the audio input and output) | | |
| Audio Compression | G.711A, G.711U | | |
| Synchronous Playback | 4-ch | 8-ch | 16-ch |
| Liveview display | 1/4 | 1/4/6/8/9 | 1/4/6/8/9/16 |
| Corridor Mode Screen | 3/4 | 3/4/5/7/9 | 3/4/5/7/9/10/12/16 |
| Snapshot | | | |
| FTP/Schedule/Event Snapshot | 4-ch snapshot, up to D1 resolution | | |
| Decoding | | | |
| Decoding format | Ultra 265/H.265/H.264 | | |
| Live view/Playback | 8MP/6MP/5MP/4MP/3MP/1080p/960p/720p/D1/2CIF/CIF | | |
| Capability | Ultra 265/H.265: 4 x 4K@30, 6 x 5MP@30, 8 x 4MP@30, 9 x 4MP@25, 10 x 3MP@30, 16 x 1080p@30 H.264: 3 x 4K@30, 5 x 5MP@30, 7 x 4MP@30, 8 x 4MP@25, 9 x 3MP@30, 14 x 1080p@30 | | |
| Hard Disk | | | |
| SATA | 1 SATA interfaces | | |

| | |
|---|--|
| Capacity | Up to 8TB for each disk (The maximum HDD capacity varies with environment temperature) |
| Smart | |
| VCA Detection by Camera | Face Detection, Intrusion Detection, Cross Line Detection, Enter Area, Leave Area, Defocus Detection, Scene Change Detection, Object Left Behind, Object Removed, Auto Tracking, SMD(Smart Motion Detection) |
| VCA Search | Face Search, Behavior Search, People Counting Report |
| People Counting | People Flow Counting, Crowd Density Monitoring |
| Smart Intrusion Prevention (SIP), Face Detection, SMD by Camera | Total 4-ch |
| General Alarm | |
| General Alarm | Motion, Tampering, Human Body Detection, Video Loss, Alarm Input, Audio Detection |
| Alert Alarm | IP Conflict, Network Disconnected, Disk Offline , Disk Abnormal, Illegal Access, Hard Disk Space Low, Hard Disk Full, Recording/Snapshot Abnormal |
| External Interface | |
| Network Interface | 1 RJ-45 10M/100M self-adaptive Ethernet Interface |
| USB Interface | Rear panel: 1 x USB2.0, 1 x USB3.0 |
| RS232 | NA |
| RS485 | NA |
| Alarm In | NA |
| Alarm Out | NA |
| General | |
| Power Supply | 12V DC Power Consumption: ≤ 6W (without HDD) |
| Working Environment | -10°C~+ 55°C (+14°F~+131°F), Humidity ≤ 90% RH (non-condensing) |
| Dimensions (W×D×H) | 260mm × 222mm × 47mm (10.2" × 8.7" × 1.8") |
| Weight (without HDD) | ≤ 0.98Kg (2.16lb) |
| Certification | |
| Certification | CE, FCC, UL, RoHS, WEEE |
| CE | EN 55032: 2015, EN 61000-3-3: 2013, EN IEC 61000-3-2: 2019, EN 55035: 2017 |
| FCC | Part15 Subpart B, ANSI C63.4 |

Dimensions



Rear Panel



Zhejiang Uniview Technologies Co., Ltd.

Building No.10, Wanlun Science Park, Jiangling Road 88, Binjiang District, Hangzhou, Zhejiang, China

Email: overseasbusiness@uniview.com; globalsupport@uniview.com

<http://www.uniview.com>

©2022 Zhejiang Uniview Technologies Co., Ltd. All rights reserved.

* Product specifications and availability are subject to change without notice.