

Network Video Recorder

NVR501-B-IQ Series



Features

- Support Ultra H.265/H.265/H.264 video formats
- 4/8/16-channel input
- Supports mainstream cameras of ONVIF conformance (Profile S, Profile G, Profile T) and RTSP protocols
- Support 1-ch HDMI, 1-ch VGA. HDMI up to 4K (3840x2160) resolution
- Support HDMI and VGA simultaneous output
- Up to 16 Megapixels resolution recording
- ANR technology to enhance the storage reliability when the network is disconnected
- Support cloud upgrade

Specifications

| Model | NVR501-04B-IQ | NVR501-08B-IQ | NVR501-16B-IQ |
|-----------------|-------------------------|---------------|---------------|
| Decoding | | | |
| Decoding Format | Ultra 265, H.265, H.264 | | |

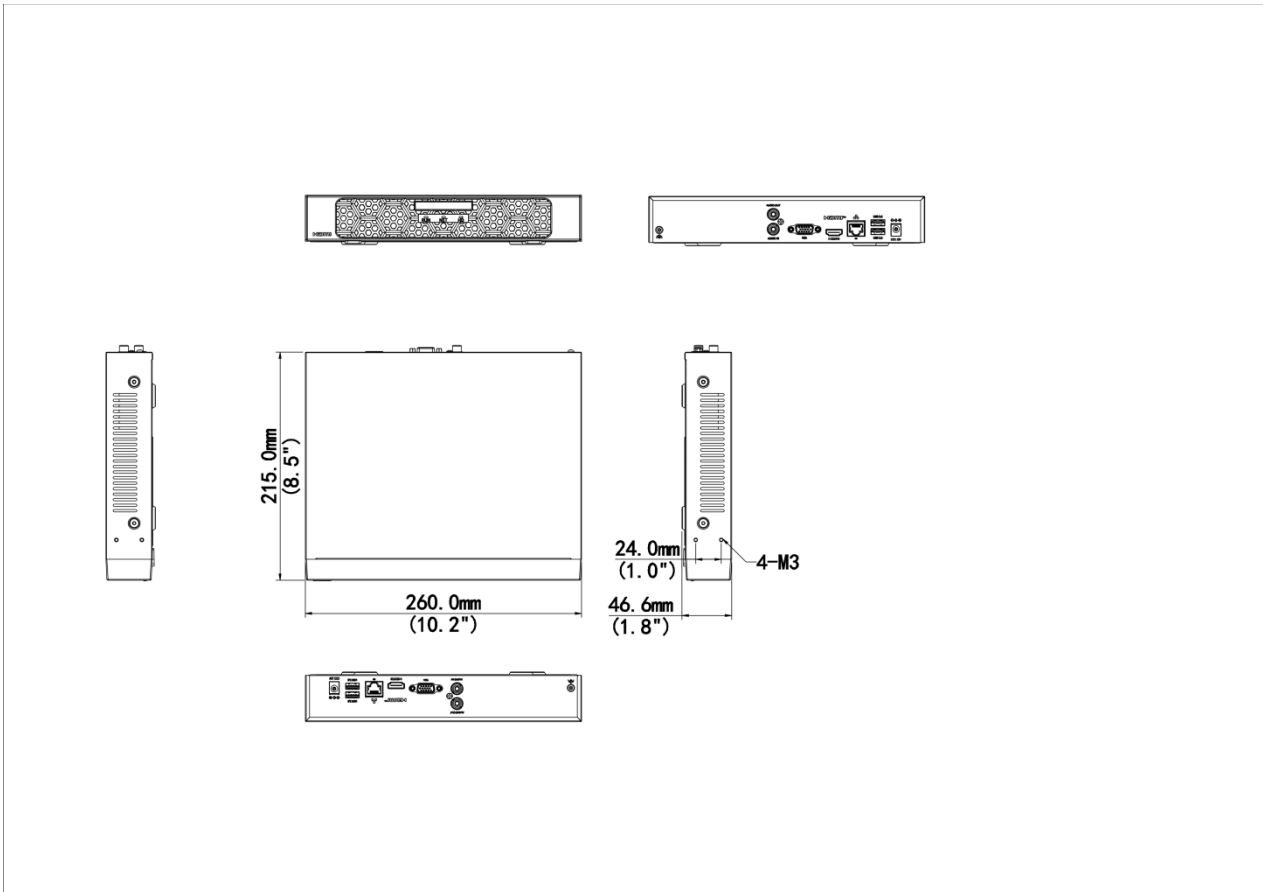
| | | | |
|---------------------------------|--|--|---|
| Decoding Capability | Smart Off: 2 x 16MP@30, 2 x 12MP@30, 4 x 4K@30 Smart On: 2 x 12MP@30, 2 x 4K@30, 4 x 4MP@30 | Smart Off: 2 x 16MP@30, 2 x 12MP@30, 4 x 4K@30, 8 x 4MP@30 Smart On: 2 x 12MP@30, 2 x 4K@30, 6 x 4MP@30, 8 x 3MP@30 | Smart Off: 2 x 16MP@30, 2 x 12MP@30, 4 x 4K@30, 8 x 4MP@30, 10 x 3MP@30, 16 x 1080P@30 Smart On: 2 x 12MP@30, 2 x 4K@30, 6 x 4MP@30, 8 x 3MP@30, 12 x 1080P@30, 16 x 720P@30 |
| Decoding Capability Description | The resolution of each channel cannot exceed 8192 pixels in length and 4096 pixels in width | | |
| Audio Compression | G.711A, G.711U | | |
| Network | | | |
| Incoming Bandwidth | 80 Mbps | | |
| Outgoing Bandwidth | 80 Mbps | | |
| Remote Users | 128 | | |
| Protocols | TCP/IP, P2P, NTP, DHCP, PPPoE, HTTP, HTTPS, DNS, DDNS, SNMP, SMTP, RTSP, IPv6, IPv4 | | |
| Browser(Plugin) | IE10, IE11, Chrome 45+, Edge 79+, Firefox 52+ | | |
| Video/Audio Input | | | |
| IP Video Input | 4-ch | 8-ch | 16-ch |
| RCA Audio Input | 1-ch | | |
| Video/Audio Output | | | |
| Video Output | Support 1-ch HDMI, 1-ch VGA, HDMI and VGA simultaneous output | | |
| HDMI Output | 4K (3840 × 2160)/30 Hz, 1920 × 1080/60 Hz, 1920 × 1080/50 Hz, 1600 × 1200/60 Hz, 1280 × 1024/60 Hz, 1280 × 720/60 Hz, 1024 × 768/60 Hz | | |
| VGA Output | 1920 × 1080/60 Hz, 1920 × 1080/50 Hz, 1600 × 1200/60 Hz, 1280 × 1024/60 Hz, 1280 × 720/60 Hz, 1024 × 768/60 Hz | | |
| RCA Audio Output | 1-ch | | |
| Liveview Display | 1/4/6/8/9 | 1/4/6/8/9/10/16 | 1/4/6/8/9/10/16 |
| Corridor Mode Screen | 3/4 | 3/4/5/7/9 | 3/4/5/7/9/10/12/16 |
| Two-way Audio | | | |

| | | | |
|------------------------------|---|------|------|
| Two-way Audio | 1-ch, RCA (Using the audio input and output) | | |
| Snapshot | | | |
| FTP/Schedule/Event Snapshot | 4-ch snapshot (max. 8 MP (3840 × 2160) video resolution, with 1080P snapshot resolution) | | |
| Recording | | | |
| Recording Resolution | 16 MP/12 MP/8 MP/6 MP/5 MP/4 MP/3 MP/1080P/960P/720P/D1/2CIF/CIF | | |
| Num of Concurrent Playback | 16-ch | | |
| Smart | | | |
| VCA Detection by IPC | Face Detection, Face Comparison, Vehicle Detection, SIP (Intrusion Detection, Cross Line Detection, Enter Area, Leave Area), Ultra Motion Detection (UMD), Temperature Detection (Fire Detection, Smoking Detection, Temperature Measurement, Smoke and Fire Detection), People Counting (People Flow Counting, Crowd Density Monitoring), Video Metadata, Traffic Monitoring | | |
| Smart by NVR | Face Detection, Face Comparison, Smart Intrusion Prevention (SIP), Ultra Motion Detection (UMD) | | |
| VCA Search | Face Snapshot Search, Face Comparison Search, Motor Vehicle Search, Non-Motor Vehicle Search, Human Body Search, General Search, People Counting Report, Heat Map, SmartSearch+, AcuSearch | | |
| Smart by IPC | All channels (up to 8 images/s in total)Face Detection, Face Comparison, Vehicle Detection, Temperature Detection, SIP, UMD, Video Metadata, Traffic Monitoring | | |
| Vehicle Picture Library | Up to 5 vehicle picture libraries, with up to 25,000 vehicle pictures in total | | |
| SIP by NVR | 4-ch | | |
| UMD by NVR | 4-ch | 8-ch | 8-ch |
| Capacity of Snapshot Records | 500 thousand records for face snapshot, One and a half millions records for SIP and vehicle | | |
| Alarm | | | |
| General Alarm | Defocus Detection, Scene Change Detection, Object Left Behind, Object Removed, Auto Tracking, Motion Detection, Tampering, Human Body Detection, Video Loss, Alarm Input, Audio Detection | | |
| Alert Alarm | IP Conflict, Network Disconnected, Disk Offline, Disk Abnormal, Illegal Access, Hard Disk Space Low, Hard Disk Full, Recording/Snapshot Abnormal, Array Damaged, Array Degraded | | |
| GUI Language | | | |
| GUI Language | 38 languages: Simplified Chinese, Traditional Chinese, English, Vietnamese, Thai, Turkish, Spanish (Latin America), Portuguese (Brazil), Spanish, Portuguese, French, German, Italian, Dutch, Polish, Czech, Hungarian, Slovak, Russian, Hebrew, Arabic, Ukrainian, Estonian, Bulgarian, Greek, Romanian, Danish, Swedish, Norwegian, Finnish, Croatian, Slovenia, Serbia, Korean, Japanese, Latvian, Lithuanian, Persian | | |

| Hard Disk | |
|---------------------------------|--|
| SATA | 1 SATA Interface |
| Capacity | Up to 16 TB for each HDD (The maximum HDD capacity varies with environment temperature and hard disk size) |
| External Interface | |
| Network Interface | 1 RJ45 10 M/100 M self-adaptive Ethernet Interface |
| USB | Front panel: 1 × USB2.0, Rear panel: 1 × USB3.0 |
| RS485 | N/A |
| Alarm In | N/A |
| Alarm Out | N/A |
| Power Supply | DC 12 V/2 A |
| Working Environment | |
| Working Temperature | -10 °C to 50 °C (14 °F to 122 °F) |
| Working Humidity | ≤ 90% RH (non-condensing) |
| Power Consumption (without HDD) | ≤ 8W |
| Dimensions | |
| Weight (without HDD) | ≤ 1Kg (2.2lb) |
| Height | 1U |
| Dimensions | 260mm × 215mm × 46.6mm (10.2" × 8.5" × 1.8") |
| Certification | |
| Certification | CE; FCC; UL; RoHS; WEEE |
| CE | EN 55032, EN 61000-3-3, EN IEC 61000-3-2, EN 55035 |
| FCC | Part15 Subpart B |

Dimensions

Aggregate product size diagram using "main model" as an example



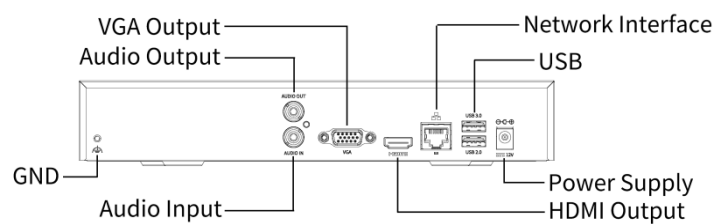
Accessories

RM-1U-260

1 HDD 1U NVR Rack Mount



Rear Panel



Zhejiang Uniview Technologies Co., Ltd.

No. 369, Xietong Road, Xixing Sub-district, Binjiang District, Hangzhou City, 310051, Zhejiang Province, China (Zhejiang) Pilot Free Trade Zone, China

Email: overseasbusiness@uniview.com; globalsupport@uniview.com

<http://www.uniview.com>

©2024-2025 Zhejiang Uniview Technologies Co., Ltd. All rights reserved.

*Product specifications and availability are subject to change without notice.

*Despite our best efforts, technical or typographical errors may exist in this document. Uniview cannot be held responsible for any such errors and reserves the right to change the contents of this document without prior notice.