

Network Video Recorder

NVR301-B-P-IQ Series



Features

- Support Ultra 265/H.265/H.264 video formats
- 4/8-channel input
- Plug & Play with 4/8 independent PoE network interfaces
- Support mainstream cameras of ONVIF conformance(Profile S, Profile G, Profile T) and RTSP protocols
- Support HDMI and VGA simultaneous output
- Up to 12 Megapixels resolution recording
- ANR technology to enhance the storage reliability when the network is disconnected
- Support cloud upgrade

Specifications

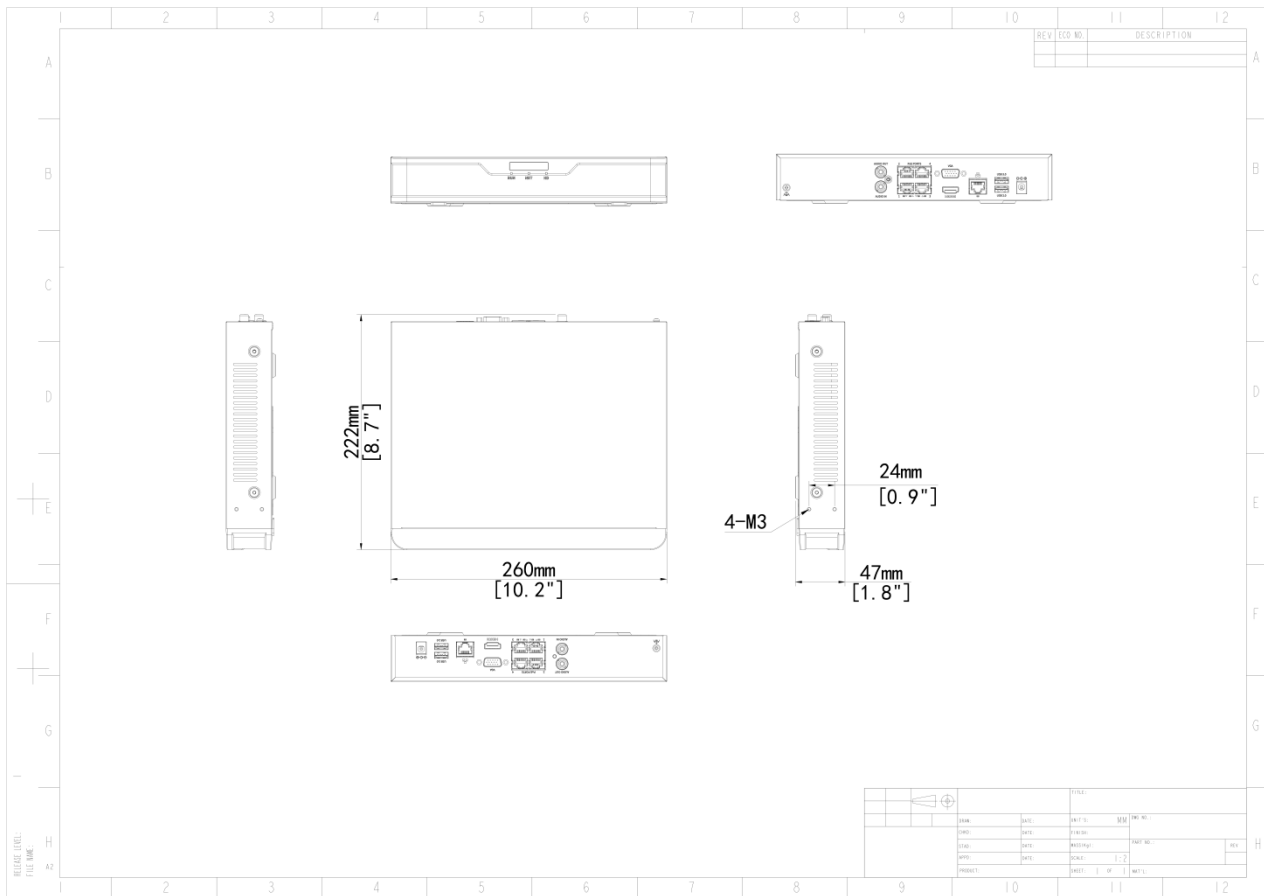
Model	NVR301-04B-P4-IQ	NVR301-08B-P8-IQ
Decoding		
Decoding Format	Ultra 265,H.265,H.264	
Decoding Capability	Smart Off: 2 x 12MP@30, 2 x 4K@30, 4 x 4MP@30 Smart On: 2 x 4K@30, 4 x 4MP@30	Smart Off: 2 x 12MP@30, 2 x 4K@30, 4 x 4MP@30, 8 x 1080P@30 Smart On: 2 x 4K@30, 4 x 4MP@30, 8 x 1080P@30
Decoding Capability Description	The resolution of each channel cannot exceed 8192 pixels in length and 4096 pixels in width	

Audio Compression	G.711A, G.711U	
Network		
Incoming Bandwidth	80 Mbps	
Outgoing Bandwidth	80 Mbps	
Remote Users	128	
Protocols	TCP/IP, P2P, NTP, DHCP, PPPoE, HTTP, HTTPS, DNS, DDNS, SNMP, SMTP, RTSP, IPv6, IPv4	
Browser(Plugin)	IE10, IE11, Chrome 45+, Edge 79+, Firefox 52+	
Video/Audio Input		
IP Video Input	4-ch	8-ch
RCA Audio Input	1-ch	
Video/Audio Output		
HDMI Output	4K (3840 × 2160)/30 Hz, 1920 × 1080/60 Hz, 1920 × 1080/50 Hz, 1600 × 1200/60 Hz, 1280 × 1024/60 Hz, 1280 × 720/60 Hz, 1024 × 768/60 Hz	
VGA Output	1920 × 1080/60 Hz, 1920 × 1080/50 Hz, 1600 × 1200/60 Hz, 1280 × 1024/60 Hz, 1280 × 720/60 Hz, 1024 × 768/60 Hz	
RCA Audio Output	1-ch	
Liveview Display	1/4	1/4/6/8/9
Corridor Mode Screen	3/4	3/4/5/7/9
Two-way Audio		
Two-way Audio	1-ch,RCA(Using the audio input and output)	
Snapshot		
FTP/Schedule/Event Snapshot	4-ch snapshot (max. D1 (720*576) video resolution, with D1 snapshot resolution)	
Recording		
Recording Resolution	12 MP/8 MP/6 MP/5 MP/4 MP/3 MP/1080P/960P/720P/D1/2CIF/CIF	
Num of Concurrent Playback	16-ch	
Smart		
VCA Detection by IPC	Face Detection, Face Comparison, Vehicle Detection, SIP (Intrusion Detection, Cross Line Detection, Enter Area, Leave Area), Ultra Motion Detection (UMD), People Counting (People Flow Counting, Crowd Density Monitoring), Traffic Monitoring	

Smart by NVR	Face Detection, Face Comparison, Smart Intrusion Prevention (SIP), Ultra Motion Detection (UMD)	
VCA Search	Face Snapshot Search, Face Comparison Search, Motor Vehicle Search, Non-Motor Vehicle Search, Human Body Search, General Search, People Counting Report, Heat Map, AcuSearch	
Smart by IPC	All channels (up to 8 images/s in total)Face Detection,Face Comparison,Vehicle Detection,SIP,UMD,Traffic Monitoring	
Search by Image	Support	
SIP by NVR	2-ch	
UMD by NVR	4-ch	
Alarm		
General Alarm	Defocus Detection, Scene Change Detection, Object Left Behind, Object Removed, Auto Tracking, Motion Detection, Tampering, Human Body Detection, Video Loss, Alarm Input, Audio Detection	
Alert Alarm	IP Conflict, Network Disconnected, Disk Offline, Disk Abnormal, Illegal Access, Hard Disk Space Low, Hard Disk Full, Recording/Snapshot Abnormal	
GUI Language		
GUI Language	38 languages: Simplified Chinese, Traditional Chinese, English, Vietnamese, Thai, Turkish, Spanish (Latin America), Portuguese (Brazil), Spanish, Portuguese, French, German, Italian, Dutch, Polish, Czech, Hungarian, Slovak, Russian, Hebrew, Arabic, Ukrainian, Estonian, Bulgarian, Greek, Romanian, Danish, Swedish, Norwegian, Finnish, Croatian, Slovenia, Serbia, Korean, Japanese, Latvian, Lithuanian, Persian	
Hard Disk		
SATA	1 SATA Interfaces	
Capacity	Up to 10 TB for each HDD (The maximum HDD capacity varies with environment temperature)	
External Interface		
Network Interface	1 RJ45 10 M/100 M self-adaptive Ethernet Interface	
USB	Rear panel: 1 × USB2.0, 1 × USB3.0	
RS485	N/A	
RS232	N/A	
Alarm In	N/A	
Alarm Out	N/A	
Power Supply	DC 48 V/1.35 A	DC 52 V/1.8 A
Power Switch	N/A	
PoE		
PoE Interface	4 RJ45 10 M/100 M self-adaptive Ethernet Interface	8 RJ45 10 M/100 M self-adaptive Ethernet Interface
Max Power	Max 30W for single port,Max 50W in total	Max 30W for single port,Max 75W in total

Supported Standard	IEEE 802.3at,IEEE 802.3af
Working Environment	
Working Temperature	-10 °C ~ + 55 °C (+14 °F ~ +131 °F)
Working Humidity	≤ 90% RH (non-condensing)
Power Consumption (without HDD)	≤ 12W
Dimensions	
Weight (without HDD)	≤ 2.7Kg (6.0lb)
Height	1U
Dimensions	260mm × 222mm × 47mm (10.2"×8.7"×1.8")
Certification	
Certification	CE; FCC; UL; RoHS; WEEE
CE	EN 55032, EN 61000-3-3, EN IEC 61000-3-2, EN 55035
FCC	Part15 Subpart B

Dimensions



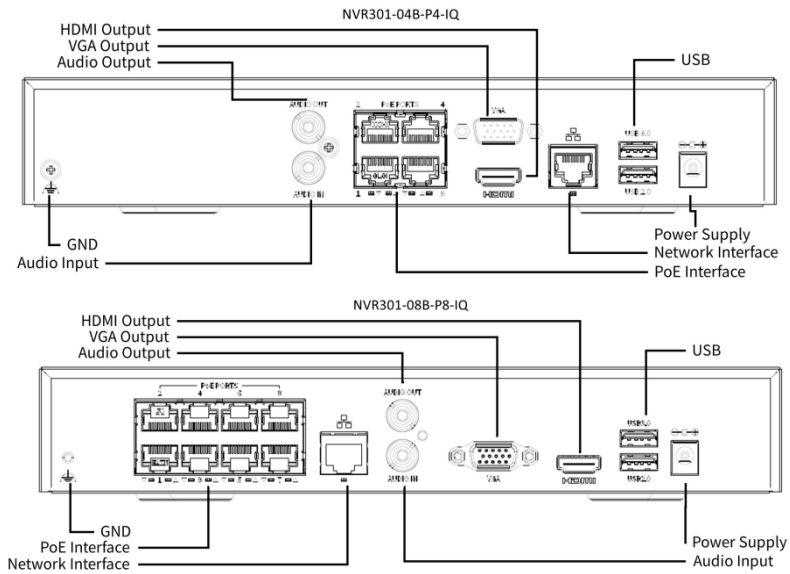
Accessories

RM-1U-260

1 HDD 1U NVR Rack Mount



Rear Panel



Zhejiang Uniview Technologies Co., Ltd.

No. 369, Xietong Road, Xixing Sub-district, Binjiang District, Hangzhou City, 310051, Zhejiang Province, China (Zhejiang) Pilot Free Trade Zone, China

Email: overseasbusiness@uniview.com; globalsupport@uniview.com

<http://www.uniview.com>

©2024 Zhejiang Uniview Technologies Co., Ltd. All rights reserved.

*Product specifications and availability are subject to change without notice.

*Despite our best efforts, technical or typographical errors may exist in this document. Uniview cannot be held responsible for any such errors and reserves the right to change the contents of this document without prior notice.