

4MP HD IR VF Eyeball Network Camera

IPC3634LB-ADZK-G



Key Features



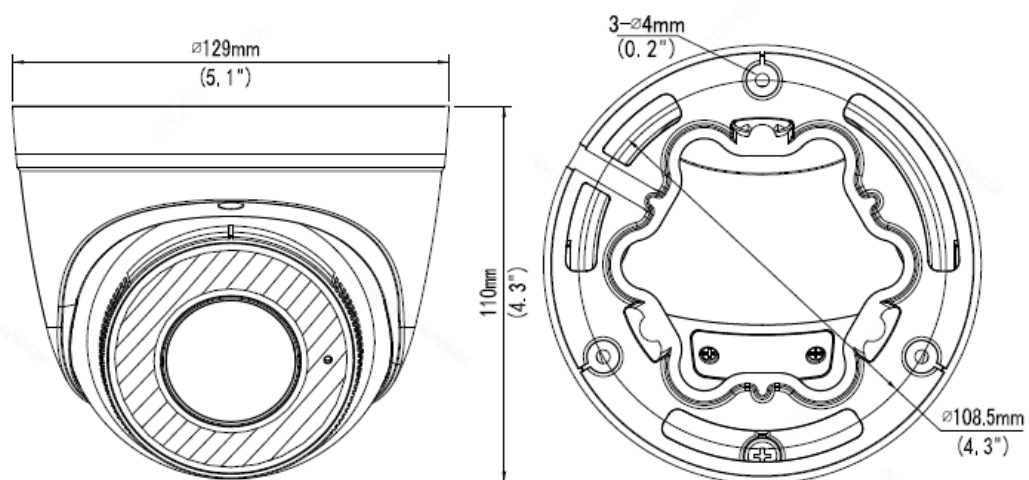
- High quality image with 4MP, 1/3"CMOS sensor
- 4MP (2688*1520)@ 30/25fps; 4MP (2560*1440)@ 30/25fps; 3MP (2304*1296)@ 30/25fps;2MP (1920*1080)@30/25fps
- Ultra 265, H.265, H.264, MJPEG
- 120dB true WDR technology enables clear image in strong light scene
- Support 9:16 Corridor Mode
- Built-in Mic
- Smart IR, up to 40m (131ft) IR distance
- Supports 256 G Micro SD card
- IP67 protection
- Support PoE power supply
- 3-Axis

Specifications

IPC3634LB-ADZK-G																
Camera																
Sensor	1/3", 4.0 megapixel, progressive scan, CMOS															
Lens	2.8 ~ 12mm, AF automatic focusing and motorized zoom lens															
DORI Distance	<table border="1"> <thead> <tr> <th>Lens (mm)</th> <th>Detect (m)</th> <th>Observe (m)</th> <th>Recognize (m)</th> <th>Identify (m)</th> </tr> </thead> <tbody> <tr> <td>2.8</td> <td>42</td> <td>16.8</td> <td>8.4</td> <td>4.2</td> </tr> <tr> <td>12</td> <td>180</td> <td>72</td> <td>36</td> <td>18</td> </tr> </tbody> </table>	Lens (mm)	Detect (m)	Observe (m)	Recognize (m)	Identify (m)	2.8	42	16.8	8.4	4.2	12	180	72	36	18
	Lens (mm)	Detect (m)	Observe (m)	Recognize (m)	Identify (m)											
	2.8	42	16.8	8.4	4.2											
12	180	72	36	18												
Angle of View (H)	102.79° ~ 30.86°															
Angle of View (V)	54.50° ~ 17.49°															
Angle of View (O)	106.94° ~ 35.49°															
Adjustment angle	<table border="1"> <thead> <tr> <th>Pan: 0° ~ 360°</th> <th>Tilt: 0° ~ 75°</th> <th>Rotate: 0° ~ 360°</th> </tr> </thead> <tbody> <tr> <td></td> <td></td> <td></td> </tr> </tbody> </table>	Pan: 0° ~ 360°	Tilt: 0° ~ 75°	Rotate: 0° ~ 360°												
Pan: 0° ~ 360°	Tilt: 0° ~ 75°	Rotate: 0° ~ 360°														
Shutter	Auto/Manual, 1 ~ 1/100000s															
Minimum Illumination	Colour: 0.003Lux (F1.6, AGC ON) 0Lux with IR															
Day/Night	IR-cut filter with auto switch (ICR)															
Digital Noise Reduction	2D/3D DNR															
S/N	>56dB															
IR Range	Up to 40m (131ft) IR range															
Wavelength	850nm															
IR On/Off Control	Auto/Manual															
Defog	Digital Defog															
WDR	120dB															
Video																
Video Compression	Ultra 265, H.265, H.264, MJPEG															
H.264 code profile	Baseline profile, Main profile, High profile															
Frame Rate	Main Stream: 4MP (2688*1520), Max 30fps; 4MP (2560*1440), Max 30fps; 3MP (2304*1296), Max 30fps; 1080P (1920*1080), Max 30fps; Sub Stream: 720P (1280*720), Max 30fps; D1 (720*576), Max 30fps; 640*360, Max 30fps; 2CIF(704*288), Max 30fps; CIF(352*288), Max 30fps;															
Video Bit Rate	128 Kbps~16 Mbps															
9:16 Corridor Mode	Supported															
OSD	Up to 4 OSDs															
Privacy Mask	Up to 4 areas															
ROI	Up to 8 areas															
Motion Detection	Up to 4 areas															
Image																
White Balance	Auto/Outdoor/Fine Tune/Sodium Lamp/Locked/Auto2															
Digital Noise Reduction	2D/3D DNR															
Smart IR	Supported															
Flip	Normal/Vertical/Horizontal/180°/90°Clockwise/90°Anti-clockwise															
Dewarping	N/A															
HLC	Supported															

BLC	Supported
Audio	
Audio Compression	G.711
Suppression	Supported
Sampling Rate	8KHZ
Storage	
Edge Storage	Micro SD, up to 256GB
Network Storage	ANR, NAS(NFS)
Smart	
Behavior Detection	(Cross line, intrusion)based on human body detection, motion detection, tampering alarm, audio detection
General Function	Watermark, IP address filtering, access policy, ARP protection, RTSP authentication, user authentication, HTTP authentication
Network	
Protocols	IPv4, IGMP, ICMP, ARP, TCP, UDP, DHCP, RTP, RTSP, RTCP, DNS, DDNS, NTP, FTP, UPnP, HTTP, HTTPS, SMTP, SSL, QoS, 802.1x, SNMP
Compatible Integration	ONVIF (Profile S, Profile G, Profile T), API
Client	EZStation EZView EZLive
Web Browser	Plug-in required live view: IE9+, Chrome 41 and below, Firefox 52 and below
	Plug-in free live view: Chorme 57.0+, Firefox 58.0+, Edge 16+, Safari 11+
Interface	
Network	10M/100M Base-TX Ethernet
Built-in Mic	Supported
Certifications	
Certifications	CE: EN 60950-1 UL: UL60950-1 FCC: FCC Part 15
General	
Power	DC 12V±25%, PoE (IEEE 802.3af)
	Power consumption: Max 8.0W
Dimensions (Ø x H)	Φ129 x 110mm (Ø5.1" x 4.3")
Net Weight	0.67kg (1.48lb)
Material	Metal
Working Environment	-30°C ~ 60°C (-22°F ~ 140°F), Humidity: ≤95% RH (non-condensing)
Storage Environment	-30°C ~ 60°C (-22°F ~ 140°F), Humidity: ≤95% RH (non-condensing)
Surge Protection	6KV
Ingress Protection	IP67
Reset Button	Supported

Dimensions



Accessories

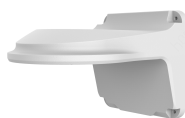
TR-JB03-H-IN



TR-JB07/WM03-F-IN



TR-WM03-B-IN



TR-UP06-IN



TR-A01-IN



TR-SE24-IN

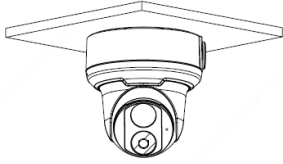
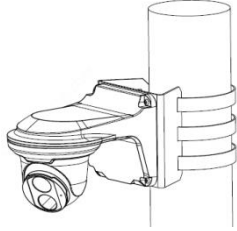
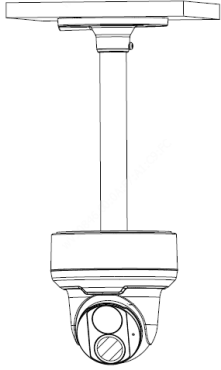


TR-SE24-A-IN



TR-CM24-IN



Junction Mount	Pole Mount
TR-JB03-H-IN	TR-JB07/WM03-F-IN(TR-WM03-B-IN)+TR-UP06-IN
	
TR-CM24-IN+TR-JB03-H-IN	
	

Zhejiang Uniview Technologies Co., Ltd.

Building No.10, Wanlun Science Park, Jiangling Road 88, Binjiang District, Hangzhou, Zhejiang, China (310051)

Email: overseasbusiness@uniview.com; globalsupport@uniview.com

<http://www.uniview.com>

©2020 Zhejiang Uniview Technologies Co., Ltd. All rights reserved.

*Product specifications and availability are subject to change without notice.