

# UltraDish™ TP

DIRECTIONAL PARABOLIC DISH ANTENNA  
WITH TWISTPORT™ CONNECTOR

ULD-TP-400

ULD-TP-550



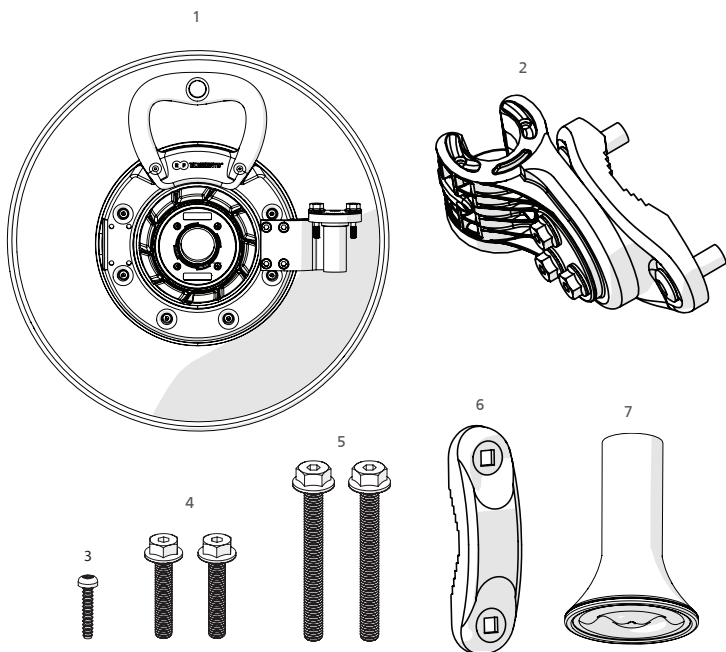
# UltraDish™ TP

## Overview

	Product ID	Dimensions	Weight*	Gain	Compatible Wireless Platforms
<b>UltraDish™ TP 400</b>	ULD-TP-400	445 x 409 x 296 mm	2.7 kg 6 lbs	24.5 dBi	any TwistPort™ Adaptor any SIMPER™ Radio
<b>UltraDish™ TP 550</b>	ULD-TP-550	575 x 575 x 359 mm	3.7 kg 8 lbs	27.5 dBi	any TwistPort™ Adaptor any SIMPER™ Radio

\*Estimation based on pre-production units. Subject to change.

## Package Contents

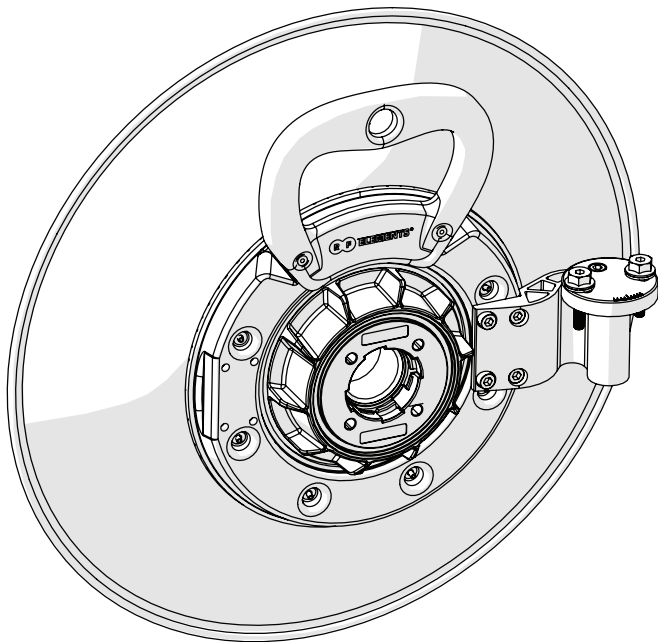


Number	Description	Quantity
1	UltraDish™ TP Body	1x
2	UltraDish™ TP Main Bracket	1x
3	2,9 x 16mm lock Screw	1x
4	M8 x 42,5mm Screw	2x
5	M8 x 73,5mm Screw	2x
6	UltraDish™ TP Bracket	1x
7	UltraDish™ TP Subreflector	1x

# UltraDish™ TP

## Pre - Installation

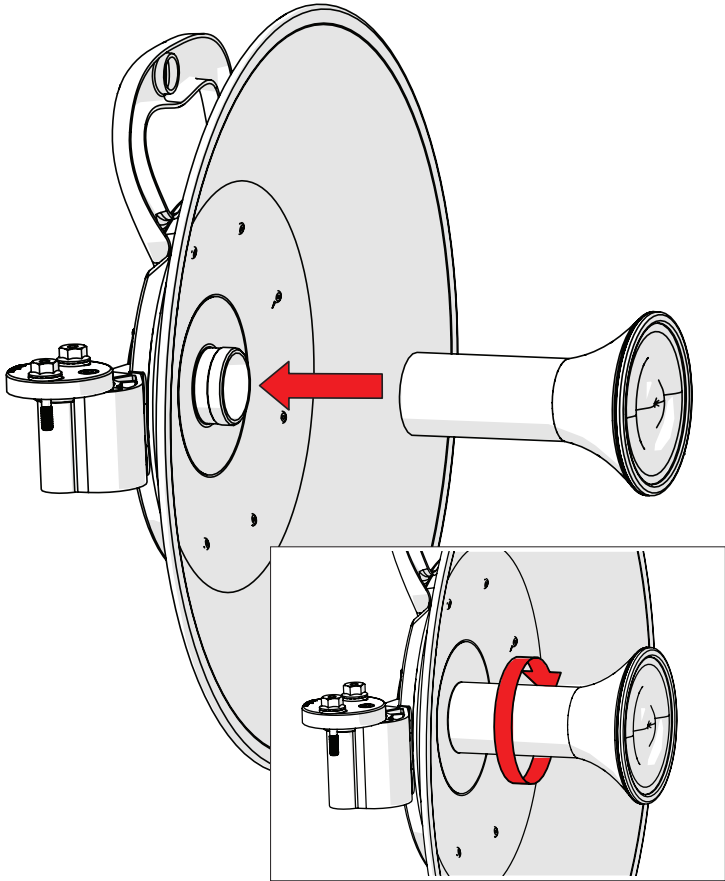
The antenna is pre-assembled for installation on the left side of the pole.  
If you need to swap to use the right side of the pole, see page 12.



Model ULD-TP-400 shown. Installation instructions are identical for ULD-TP-550 model.  
Antenna dimensions may differ.

# UltraDish™ TP

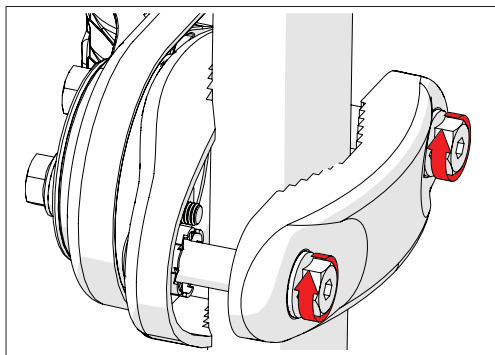
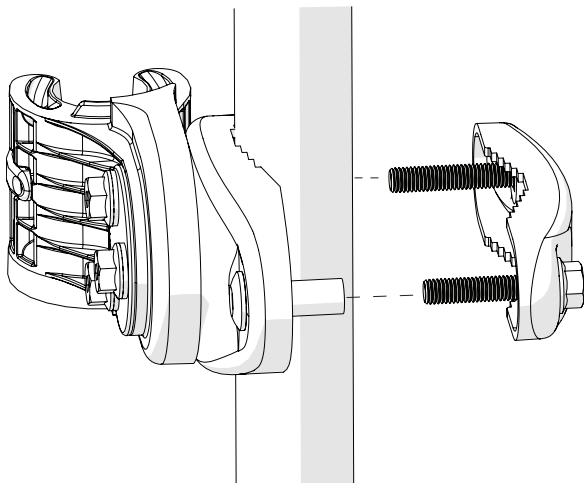
## Installation Guide



Model ULD-TP-400 shown. Installation instructions are identical for ULD-TP-550 model. Antenna dimensions may differ.

# UltraDish™ TP

## Pole Installation

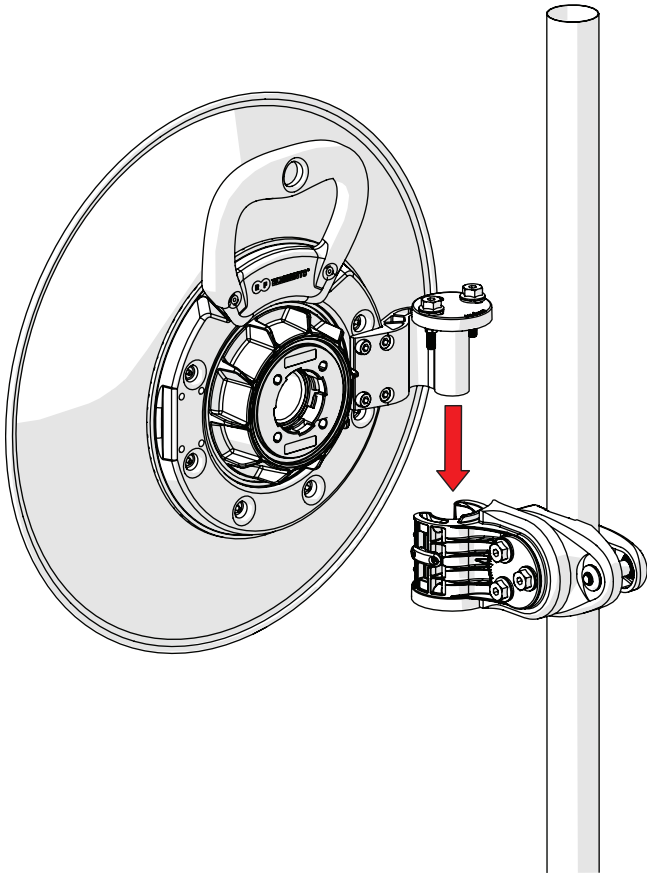


Model ULD-TP-400 shown. Installation instructions are identical for ULD-TP-550 model. Antenna dimensions may differ.

# UltraDish™ TP

## Installation Guide

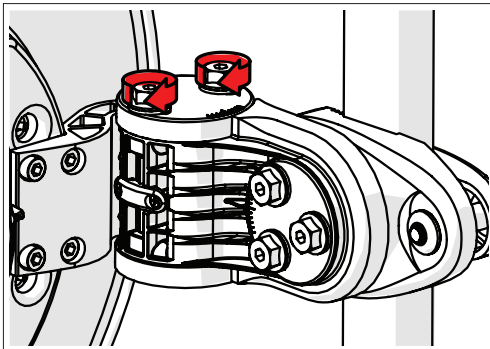
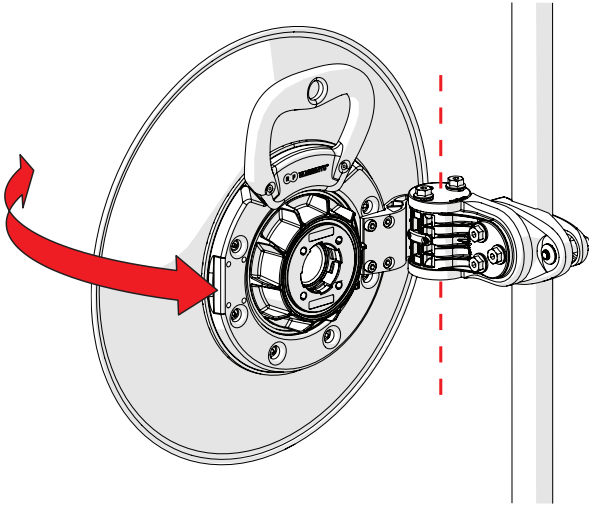
---



Model ULD-TP-400 shown. Installation instructions are identical for ULD-TP-550 model. Antenna dimensions may differ.

# UltraDish™ TP

## Installation Guide

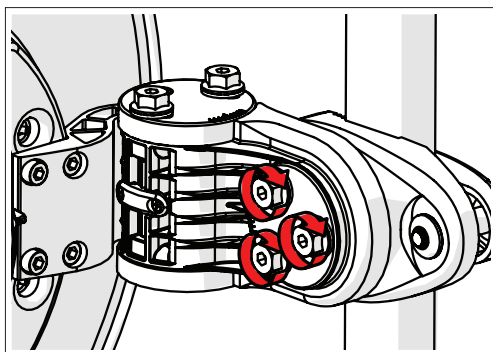
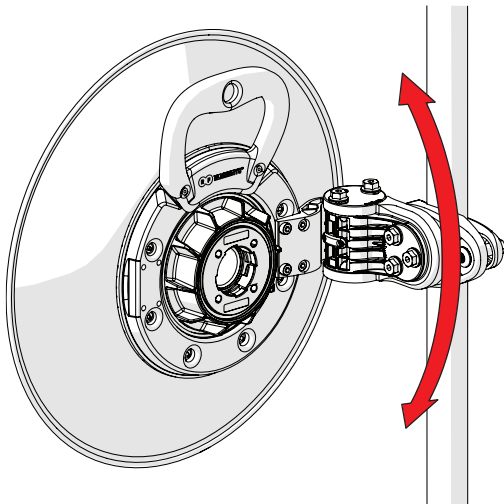


Model ULD-TP-400 shown. Installation instructions are identical for ULD-TP-550 model. Antenna dimensions may differ.



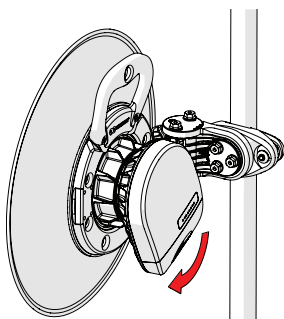
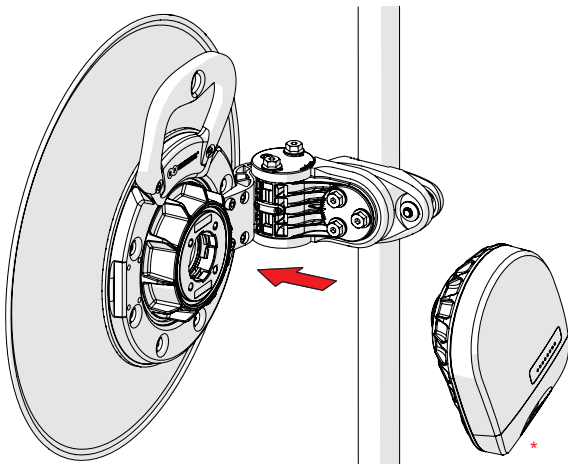
# UltraDish™ TP

## Installation Guide

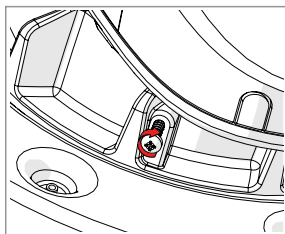


Model ULD-TP-400 shown. Installation instructions are identical for ULD-TP-550 model. Antenna dimensions may differ.

## Installation Guide



1 **Optional:** Install the 2.9 x 16mm locking screw.



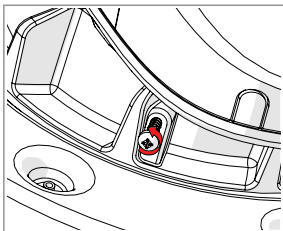
Tighten the locking screw to secure the TwistPort lock mechanism.

Model ULD-TP-400 shown. Installation instructions are identical for ULD-TP-550 model. Antenna dimensions may differ.

\* TwistPort™ Adaptor or SIMPER™ Radio sold separately.

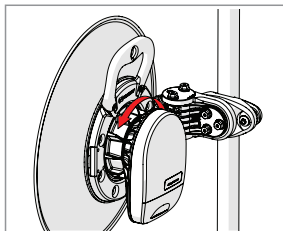
## Installation Guide

1 **Optional:** If the locking screw was used,

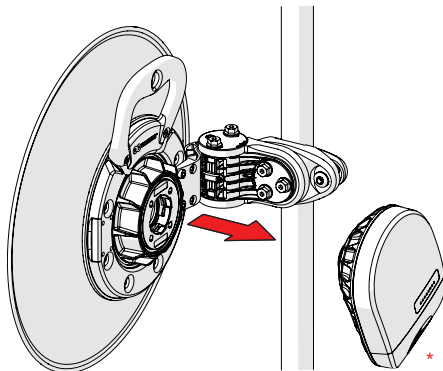
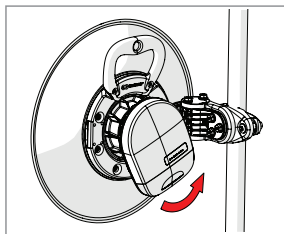


unscrew it by about 10 mm  
before unlocking the TwisPort mechanism.

2



3



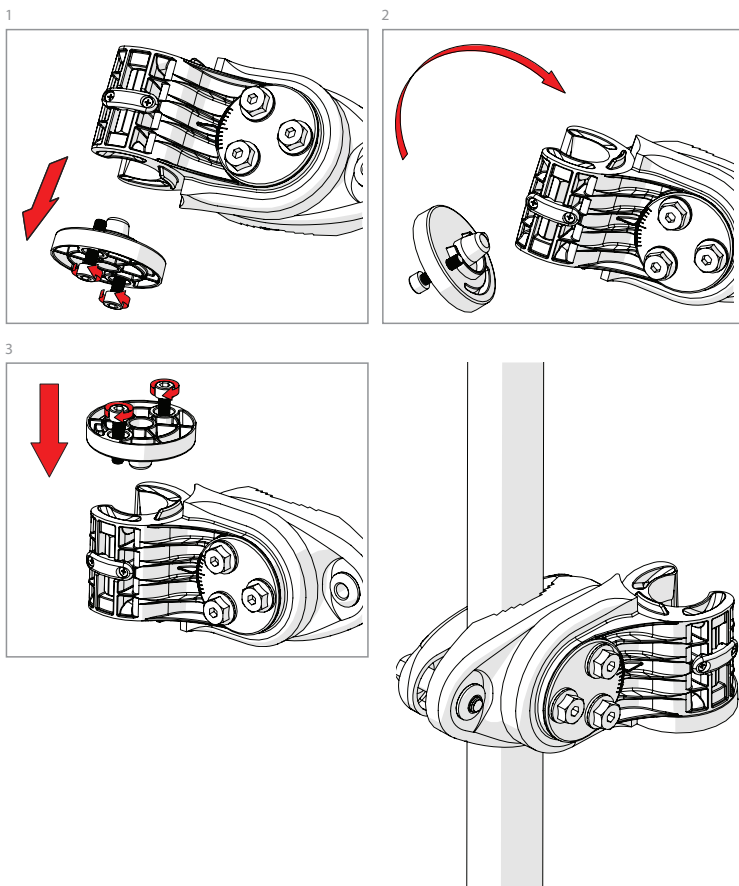
Model ULD-TP-400 shown. Installation instructions are identical for ULD-TP-550 model.  
Antenna dimensions may differ.

\* TwistPort™ Adaptor or SIMPER™ Radio sold separately.

# UltraDish™ TP

## Pre - Installation

**Optional:** Right side of the pole mounting.



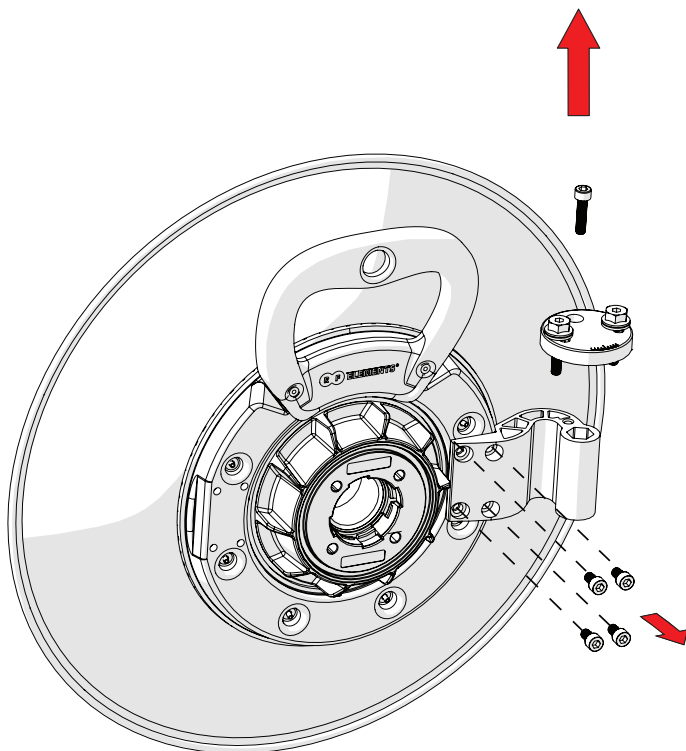
Model ULD-TP-400 shown. Installation instructions are identical for ULD-TP-550 model. Antenna dimensions may differ.

# UltraDish™ TP

13

## Pre - Installation

**Optional:** Right side of the pole mounting.



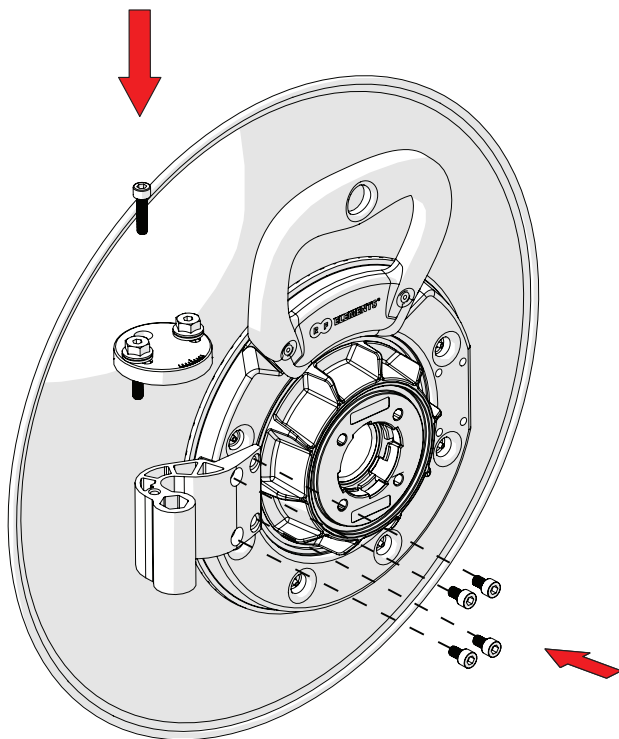
Model ULD-TP-400 shown. Installation instructions are identical for ULD-TP-550 model.  
Antenna dimensions may differ.

# UltraDish™ TP

14

## Pre - Installation

**Optional:** Right side of the pole mounting, continue on page 6.



Model ULD-TP-400 shown. Installation instructions are identical for ULD-TP-550 model.  
Antenna dimensions may differ.



## Compatible Devices:

### **RF elements®**

any TwistPort™ Adaptor

any SIMPER™ Radio with TwistPort™ connector

RF elements®, TwistPort™, SIMPER™ and UltraDish™  
are trademarks of RF elements s.r.o., Humenne, Slovakia.

All rights of trademark owners reserved.



RF elements s.r.o.

Phone: +421 2 3260 3711

[info@rfelements.com](mailto:info@rfelements.com)

[www.rfelements.com](http://www.rfelements.com)