

DS-2204ZJ-P

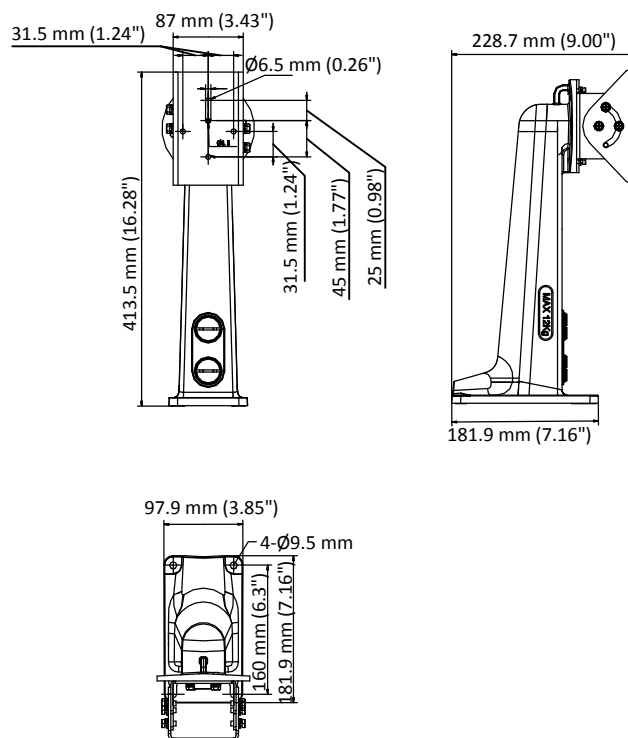
Wall Mount



Feature

- High-strength and reliable die-casting structure
- Applied to both indoor and outdoor conditions
- Features cable outlets to hide cables inside the wall mount

Dimension



Available Model

DS-2204ZJ-P

Parameter

Model	DS-2204ZJ-P
Parameters	Wall Mount
Appearance	Platinum grey
Material	Aluminum Alloy
Angle Adjustment	Tilt: -45° to 10°; Pan: 0° to 360°; Rotation: 0°
Dimension	413.5 mm × 228.7 mm × 97.9 mm (16.28" × 9.00" × 3.85")
Weight	Approx. 2.12 kg (4.67 lb.)

Note

- The wall mount should be installed on a flat surface.
- The wall should be capable of supporting at least 3 times as much as the total weight of the camera and the wall mount.
- The maximum load capacity of the wall mount is 12 kg (26.46 lb.).