

NK42E2H PoE Kit

Key Feature

- H.265+/H.265/H.264+/H.264 video compression
- PoE connection
- 4 × 2 MP IR fixed network turret camera
- 1 x NVR, full channel recording at up to 4 MP resolution



Camera

- 1/2.8" Progressive Scan CMOS
- 1920 × 1080@30 fps
- 2.8 mm fixed lens
- Color: 0.01 Lux @(F1.2; AGC ON), 0.028 Lux @(F2.0; AGC ON)
- 3D Digital Noise Reduction

NVR

- Up to 4-ch network camera inputs (up to 4 MP)
- 2-ch@1080p/1-ch@4 MP decoding capability
- HDMI/VGA output with up to 1920 × 1080 resolution
- Hik-Connect for easy network management



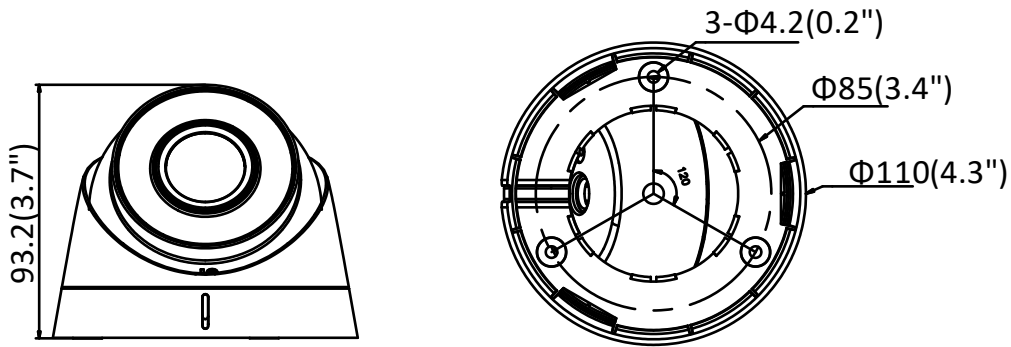
Specification

Kit Model	NK42E2H
Camera Model	4 × DS-2CD1323G0E-I
NVR Model	DS-7104NI-Q1/4P/M
Camera	
Image Sensor	1/2.8" Progressive Scan CMOS
Min. Illumination	Color: 0.01 Lux @(F1.2; AGC ON), 0.028 Lux @(F2.0; AGC ON)
Shutter Speed	1/3 s to 1/100,000 s
Day & Night	IR cut filter
WDR	DWDR
Angle Adjustment	Pan: 0° to 360°, tilt: 0° to 75°, rotation: 0° to 360°
Protection Level	IP67
Material	Camera body: metal, bottom base : plastic
Lens	
Focal Length	2.8 mm
Aperture	F2.0
Focus	Fixed
FOV	Horizontal FOV: 114.8°, vertical FOV: 62°, diagonal FOV: 135.5°
Lens Mount	M12
IR	
IR Range	Up to 30 m
Compression Standard	
Video Compression	Main stream: H.265+/H.265/H.264 +/H.264 Sub-stream: H.265/H.264/MJPEG
H.264 Type	Main Profile/High Profile/Baseline Profile
H.264+	Main Profile
H.265 Type	Main Profile
H.265+	Main Profile
Video Bit Rate	32 Kbps to 8 Mbps
Image	
Max. Resolution	1920 × 1080
Main Stream	50 Hz: 25 fps (1920 × 1080, 1280 × 960, 1280 × 720) 60 Hz: 30 fps (1920 × 1080, 1280 × 960, 1280 × 720)
Sub-stream	50 Hz: 25 fps (640 × 480, 640 × 360, 320 × 240) 60 Hz: 30 fps (640 × 480, 640 × 360, 320 × 240)
Image Setting	Saturation, brightness, contrast, sharpness, AGC, white balance adjustable by client software or web browser
Day/Night Switch	Auto/Scheduled/Day/Night
Network	
Alarm Trigger	Motion detection, video tampering alarm, illegal login
Protocols	TCP/IP, ICMP, HTTP, HTTPS, DHCP, DNS, RTP, RTSP, RTCP, NTP, IGMP, QoS, UDP
General Function	Anti-flicker, heartbeat, mirror, password protection, privacy mask, watermark
Client	iVMS-4200, Hik-Connect, iVMS-5200, iVMS-4500
Interface	
Communication Interface	1 RJ45 10M/100M self-adaptive Ethernet port

Video Out	No
Alarm I/O	No
Reset Button	No
General	
Power Supply	12 VDC \pm 25%, Φ 5.5 mm coaxial plug power, or PoE (802.3af, class 3)
Consumption	12 VDC, 0.3 A, Max: 3.5 W, or PoE (802.3af, 36 V to 57 V), 0.2 A to 0.1 A, Max: 4.5 W
Working Temperature	-30 °C to 60 °C (-22 °F to 140 °F)
Working Humidity	95% or less (non-condensing)
Dimension (W × D × H)	Φ 110 mm × 93.2 mm (4.3" × 3.7")
Weight	Approx. 360 g (0.8 lb)
NVR	
Video and Audio	
IP Video Input	4-ch
	Up to 4 MP resolution
Incoming/Outgoing Bandwidth	40 Mbps/60 Mbps
HDMI/VGA Output	1920 × 1080/60Hz, 1280 × 1024/60Hz, 1280 × 720/60Hz, 1024 × 768/60Hz
Decoding	
Decoding Format	H.265+/H.265/ H.264+/H.264
Video Resolution	4 MP/3 MP/1080p/UXGA/720p/VGA/4CIF/DCIF/2CIF/CIF/QCIF
Synchronous Playback	4-ch
Capability	2-ch@1080p / 1-ch@4 MP
Network	
Network Interface	1, RJ45 10/100M Ethernet interface
Network Protocol	IPv6, UPnP™, NTP, SADP, DHCP
Remote Connection	16
PoE	
Interface	4, RJ-45 10/100 Mbps self-adaptive Ethernet interface
Power	\leq 36 W
Standard	IEEE 802.3 af/at
Auxiliary interface	
SATA	1 SATA interface
Capacity	Up to 6 TB capacity for each disk
USB Interface	Rear panel: 2 × USB 2.0
Alarm In/Out	No
General	
Power Supply	48 VDC
Consumption (without HDD and PoE off)	\leq 10 W
Working Temperature	-10 °C to 55 °C (14 °F to 131 °F)
Working Humidity	10% to 90%
Dimension (W × D × H)	265 × 225 × 48 mm (10.4" × 8.9" × 1.9")
Weight (without hard disk)	\leq 1 kg (2.2 lb)
Kit	

Accessories	Power: 1 power cable Network cable: 4 × 18.3 m (60 ft) video and power cable HDMI cable: 1 HDMI cable
Hard Drive	No
Certification	FCC, CE
Weight (with package)	≤ 6.5 kg (14.3 lb)

Camera Dimension



Unit:mm(inch)

Accessory



DS-1272ZJ-110-TRS
Wall Mounting Bracket



DS-1275ZJ
Vertical Pole Mounting
Bracket

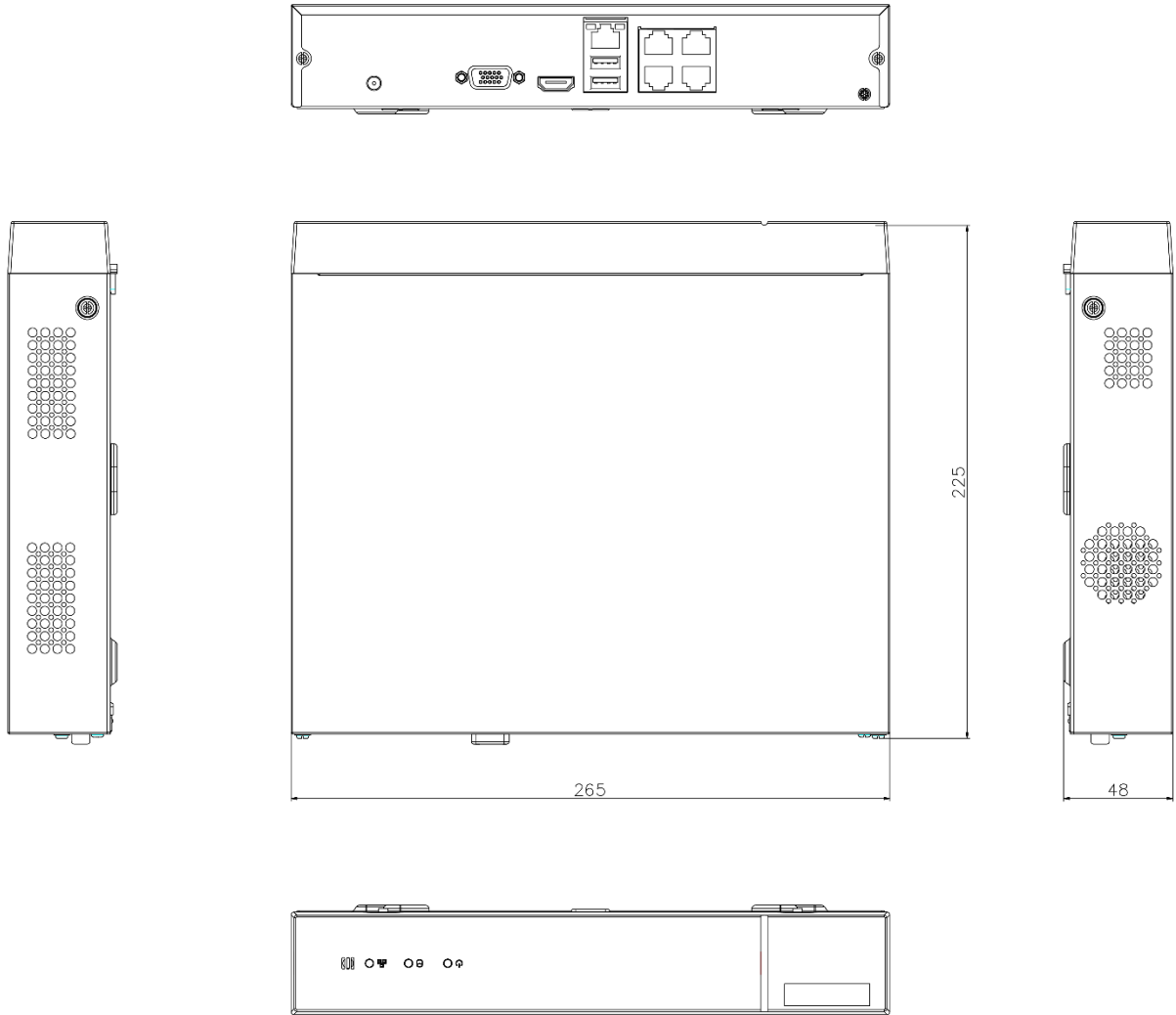


DS-1280ZJ-S
Junction Box



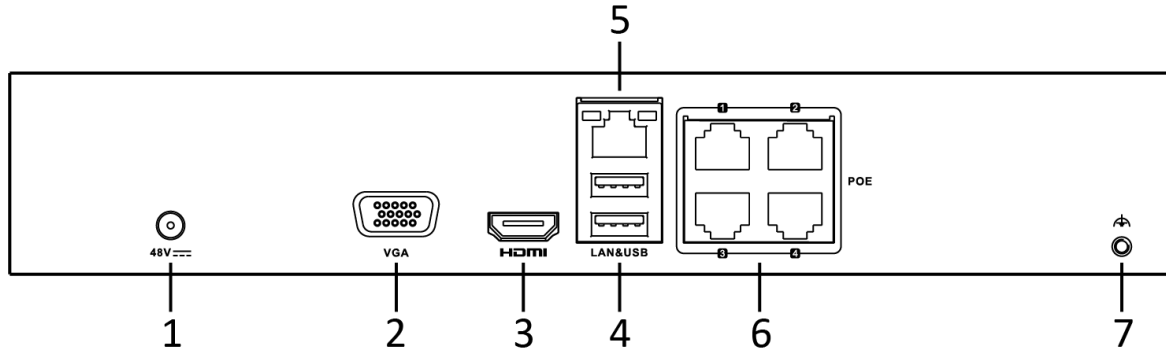
DS-1276ZJ
Corner Mounting
Bracket

NVR Dimension



Unit: mm

Physical Interface



No.	Description	No.	Description
1	Power Supply	5	LAN Network Interface
2	VGA Interface	6	Network Interfaces with PoE function
3	HDMI Interface	7	Ground
4	USB Interface		

Available Model

NK42E2H

Distributed by



Headquarters

No.555 Qianmo Road, Binjiang District,
Hangzhou 310051, China
T +86-571-8807-5998
overseasbusiness@hikvision.com

Hikvision USA
T +1-909-895-0400
sales.usa@hikvision.com

Hikvision Australia
T +61-2-8599-4233
salesau@hikvision.com

Hikvision India
T +91-22-28469900
sales@pramahikvision.com

Hikvision Canada
T +1-866-200-6690
sales.canada@hikvision.com

Hikvision Thailand
T +662-275-9949
sales.thailand@hikvision.com

Hikvision Europe
T +31-23-5542770
sales.eu@hikvision.com

Hikvision Italy
T +39-0438-6902
info.it@hikvision.com

Hikvision Brazil
T +55 11 3318-0050
Latam.support@hikvision.com

Hikvision Turkey
T +90 [216]521 7070- 7074
sales.tr@hikvision.com

Hikvision Malaysia
T +601-7652-2413
sales.my@hikvision.com

Hikvision UK & Ireland
T +01628-902140
sales.uk@hikvision.com

Hikvision South Africa
Tel: +27 (10) 0351172
sale.africa@hikvision.com

Hikvision France
T +33(0)1-85-330-450
info.fr@hikvision.com

Hikvision Kazakhstan
T +7-727-9730667
nikia.panfilov@hikvision.ru

Hikvision Vietnam
T +84-974270888
sales.vt@hikvision.com

Hikvision UAE
T +971-4-4432090
salesme@hikvision.com

Hikvision Singapore
T +65-6684-4718
sg@hikvision.com

Hikvision Spain
T +34-91-737-16-55
info.es@hikvision.com

Hikvision Tashkent
T +99-87-1238-9438
uzb@hikvision.ru

Hikvision Hong Kong
T +852-2151-1761
info.hk@hikvision.com

Hikvision Russia
T +7-495-669-67-99
saleru@hikvision.com

Hikvision Korea
T +82-[0]31-731-8817
sales.korea@hikvision.com

Hikvision Poland
T +48-22-460-01-50
info.pl@hikvision.com

Hikvision Indonesia
T +62-21-2933759
Sales.Indonesia@hikvision.com

Hikvision Colombia
sales.colombia@hikvision.com

010011090805