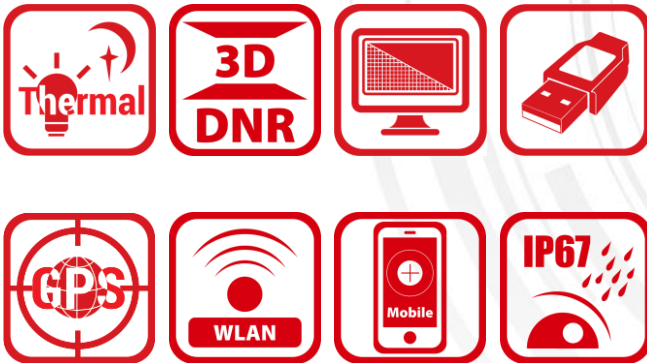


DS-2TR03-50UF/W Thermal Scope



Hikvision DS-2TR03-50UF/W Thermal Scope has 384×288 thermal detector and 1024×768 OLED monitor, which provides clear image under harsh environment conditions like darkness, fog, smoke, dust, rain, snow, wood, camouflage, etc. The shutterless technology avoids the risk of target losing and self-exposure which was caused by shutter. These all make great efforts to better observe target situation and fight against crimes.

Key Features

- 384*288 thermal resolution, high sensitivity detector, NETD < 35mk (@25°C,F#=1.0)
- Adopt shutterless technology
- Leading image processing technology: Adaptive AGC, DDE, 3D DNR
- 1024*768 resolution 0.39-inch OLED display
- Support distance measurement, GPS and WIFI hotspot function
- Support video recording and snapshot, build in Micro SD memory module (Max 16GB)
- Support digital zoom and crosshair function, palettes of color adjustable
- Over 6 hours battery operating time



Specification

Parameter		Model
		DS-2TR03-50UF/W
Thermal Module	Image Sensor	Uncooled Focal Plane Arrays
	Max. Resolution	384*288, 17um
	Response Waveband	8~14um
	NETD	< 35mk(@25 °C, F#=1.0)
	Lens (focal length)	50mm (support manual focus)
	I FOV	0.34mrad
	Field of View	7.4°×5.6°
	F Number	F1.0
Image Display	Monitor	0.39-inch, OLED, 1024 ×768
	Palettes	Black hot, white hot, red hot
	Ocular Exit Pupil Distance	30 mm
System	Digital Zoom	2X, 4X
	Crosshair	Support
	WIFI	Support
	Distance Measurement	Support
	GPS	Support
	Video Recording	Support
	Picture Snapshot	Support
	Contrast Adjustment	Support
	Brightness Adjustment	Support
	Uniformity Correction	Support shutterless technology
	Storage	Built-in Micro SD memory module (Max 16GB)
Power Supply	Battery	Two 18650 batteries, require 5h to be full charged
	Power Consumption	≤2.1W
	Battery Operating Time	≥8h
	Anti-reverse battery connection	Support
	Overvoltage Protection	Support
	Battery Capacity Display	Support
General	Mounting	Picatinny rail system
	Port	USB, analog video output
	Working Temperature	-30°C ~55°C (-22°F ~ 131°F)
	Protection Level	IP67
	Shock Absorption Design	Support
	Prevent Ocular Light Leak	Support
	Vibration & Shock	MIL-STD-810F
	Electrostatic Protection	15KV
	Dimension (L x W x H)	248mm x 67mm x 104mm
Weight	< 0.8kg	

Wide Range Coverage for Different Specifications

Note: The table below is only for reference, the performance varies from model to model, and the specific data is based on 17 μm pixel space-between.

Detection Range (Vehicles: 1.4×4.0m)	Detection Range (Humans: 1.8×0.5m)	Recognition Range (Vehicles: 1.4×4.0m)	Recognition Range (Humans: 1.8×0.5m)	Identification Range (Vehicles: 1.4×4.0m)	Identification Range (Humans: 1.8×0.5m)
4510m	1471m	1127m	368m	564m	184m

Order Models

DS-2TR03-50UF/W

Distributed by




Headquarters

No.555 Qianmo Road, Binjiang District,
Hangzhou 310051, China
T +86-571-8807-5998
overseasbusiness@hikvision.com

Hikvision USA
T +1-909-895-0400
sales.usa@hikvision.com

Hikvision Australia
T +61-2-8599-4233
salesau@hikvision.com

Hikvision India
T +91-22-28469900
sales@pramahikvision.com

Hikvision Canada
T +1-866-200-6690
sales.canada@hikvision.com

Hikvision Thailand
T +662-275-9949
sales.thailand@hikvision.com

Hikvision Europe
T +31-23-5542770
sales.eu@hikvision.com

Hikvision Italy
T +39-0438-6902
info.it@hikvision.com

Hikvision Brazil
T +55 11 3318-0050
Latam.support@hikvision.com

Hikvision Turkey
T +90 (216)521 7070- 7074
sales.tr@hikvision.com

Hikvision Malaysia
T +601-7652-2413
sales.my@hikvision.com

Hikvision UK & Ireland
T +01628-902140
sales.uk@hikvision.com

Hikvision South Africa
Tel: +27 (10) 0351172
sale.africa@hikvision.com

Hikvision France
T +33(0)1-85-330-450
info.fr@hikvision.com

Hikvision Kazakhstan
T +7-727-9730667
nikia.panfilov@hikvision.ru

Hikvision Vietnam
T +84-974270888
sales.vt@hikvision.com

Hikvision UAE
T +971-4-4432090
salesme@hikvision.com

Hikvision Singapore
T +65-6684-4718
sg@hikvision.com

Hikvision Spain
T +34-91-737-16-55
info.es@hikvision.com

Hikvision Tashkent
T +99-87-1238-9438
uzb@hikvision.ru

Hikvision Hong Kong
T +852-2151-1761
info.hk@hikvision.com

Hikvision Russia
T +7-495-669-67-99
sateru@hikvision.com

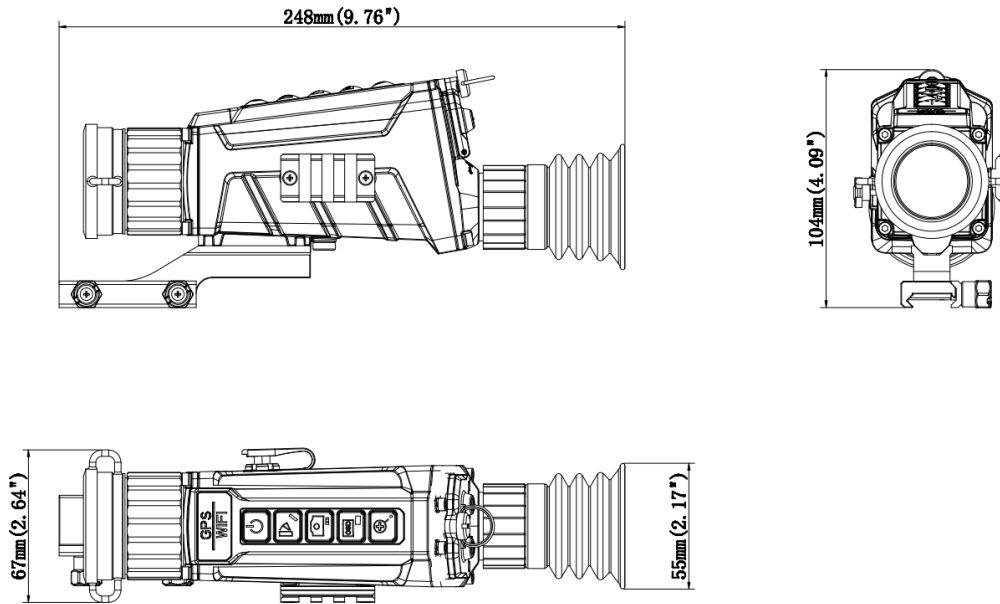
Hikvision Korea
T +82-1031-731-8817
sales.korea@hikvision.com

Hikvision Poland
T +48-22-460-01-50
info.pl@hikvision.com

Hikvision Indonesia
T +62-21-2933759
Sales.Indonesia@hikvision.com

Hikvision Colombia
sales.colombia@hikvision.com

Dimensions



Distributed by



HIKVISION

Headquarters

No.555 Qianmo Road, Binjiang District,
Hangzhou 310051, China
T +86-571-8807-5998
overseasbusiness@hikvision.com

Hikvision USA
T +1-909-895-0400
sales.usa@hikvision.com

Hikvision Australia
T +61-2-8599-4233
salesau@hikvision.com

Hikvision India
T +91-22-28469900
sales@pramahikvision.com

Hikvision Canada
T +1-866-200-6690
sales.canada@hikvision.com

Hikvision Thailand
T +662-275-9949
sales.thailand@hikvision.com

Hikvision Europe
T +31-23-5542770
sales.eu@hikvision.com

Hikvision Italy
T +39-0438-6902
info.it@hikvision.com

Hikvision Brazil
T +55 11 3318-0050
Latam.support@hikvision.com

Hikvision Turkey
T +90 (216)521 7070- 7074
sales.tr@hikvision.com

Hikvision Malaysia
T +601-7652-2413
sales.my@hikvision.com

Hikvision UK & Ireland
T +01628-902140
sales.uk@hikvision.com

Hikvision South Africa
Tel: +27 (10) 0351172
sale.africa@hikvision.com

Hikvision France
T +33(0)1-85-330-450
info.fr@hikvision.com

Hikvision Kazakhstan
T +7-727-9730667
nikia.panfilov@hikvision.ru

Hikvision Vietnam
T +84-974270888
sales.vt@hikvision.com

Hikvision UAE
T +971-4-4432090
salesme@hikvision.com

Hikvision Singapore
T +65-6684-4718
sg@hikvision.com

Hikvision Spain
T +34-91-737-16-55
info.es@hikvision.com

Hikvision Tashkent
T +99-87-1238-9438
uzb@hikvision.ru

Hikvision Hong Kong
T +852-2151-1761
info.hk@hikvision.com

Hikvision Russia
T +7-495-669-67-99
sateru@hikvision.com

Hikvision Korea
T +82-1031-731-8817
sales.korea@hikvision.com

Hikvision Poland
T +48-22-460-01-50
info.pl@hikvision.com

Hikvision Indonesia
T +62-21-2933759
Sales.Indonesia@hikvision.com

Hikvision Colombia
sales.colombia@hikvision.com