

## DS-2DF6C431-CX(T5/316L)

### 4 MP Explosion-Proof Network Speed Dome



- High quality imaging with 4 MP resolution
- 1/1.8" progressive scan CMOS
- Min. illumination : Color: 0.005Lux @(F1.5, AGC ON) B/W: 0.001 Lux @(F1.5, AGC ON)
- 31× optical zoom, focal length 5.9 mm to 182.9 mm
- Efficient H.265+/H.265 compression technology
- Water and dust resistant (IP68)
- 3D DNR and low bitrate technology delivers clean and sharp images
- Clear imaging against strong back light due to 120 dB true WDR technology

## ▪ Specification

Camera	
Image Sensor	1/1.8" progressive scan CMOS
Max. Resolution	2560 × 1440
Min. Illumination	Color: 0.005 Lux @ (F1.5, AGC ON) B/W: 0.001 Lux @ (F1.5, AGC ON)
Shutter Speed	1/1 s to 1/30,000 s
Day & Night	IR Cut Filter
Zoom	31 × optical, 16 × digital
Slow Shutter	yes
Lens	
Focal Length	5.9 mm to 182.9 mm, 31 × optical zoom
FOV	Horizontal field of view: 60.2° to 2.5° (wide-tele) Vertical field of view: 35.2° to 1.3° (wide-tele) Diagonal field of view: 67.4° to 2.7° (wide-tele)
Focus	semi-auto, manual, auto
Aperture	F1.5
Zoom Speed	Approx. 7 s (Optical Lens, Wide-Tele)
PTZ	
Movement Range (Pan)	360° endless
Movement Range (Tilt)	From 0° to 90° (Auto Flip)
Pan Speed	Configurable, from 0.1°/s to 100°/s, preset speed: 100°/s
Tilt Speed	Configurable, from 0.1°/s to 50°/s, Preset Speed: 50°/s
Proportional Pan	yes
Presets	300
Preset Freezing	yes
Patrol Scan	8 patrols, up to 32 presets for each patrol
Pattern Scan	4 pattern scans, record time over 10 minutes for each scan
Park Action	Preset/Pattern Scan/Patrol Scan/Auto Scan/Tilt Scan/Random Scan/Frame Scan/Panorama Scan
3D Positioning	yes
PTZ Status Display	yes
Scheduled Task	Preset, pattern scan, patrol scan, auto scan, tilt scan, random scan, frame scan, panorama scan, dome reboot, dome adjust, aux output
Power-off Memory	yes
Video	
Main Stream	50 Hz: 25 fps (2560 × 1440, 1920 × 1080, 1280 × 960, 1280 × 720) 60 Hz: 30 fps (2560 × 1440, 1920 × 1080, 1280 × 960, 1280 × 720)
Sub-Stream	50 Hz: 25 fps (704 × 576, 640 × 480, 352 × 288) 60 Hz: 30 fps (704 × 480, 640 × 480, 352 × 240)
Third Stream	50 Hz: 25 fps (1920 × 1080, 1280 × 960, 1280 × 720, 704 × 576, 640 × 480, 352 × 288) 60 Hz: 30 fps (1920 × 1080, 1280 × 960, 1280 × 720, 704 × 480, 640 × 480, 352 × 240)
Video Bit Rate	32 kbps to 16384 kbps
H.264 Type	Baseline profile, Main profile, High profile
H.265 Type	main profile

Scalable Video Coding (SVC)	yes
Region of Interest (ROI)	yes
Target Cropping	no
<b>Audio</b>	
Audio Compression	G.711alaw/G.711ulaw/G.722.1/G.726/MP2L2/PCM
Audio Bit Rate	G.722.1: 16Kbps, G.711ulaw: 64 kbps, G.711alaw: 64 kbps, MP2L2: 32 kbps, 40 kbps, 48 kbps, 56 kbps, 64 kbps, 80 kbps, 96 kbps, 112 kbps, 128 kbps, 144 kbps, 160 kbps, 192 kbps
Audio Sampling Rate	MP2L2: 16kHz, 32kHz, 48kHz, PCM: 8kHz, 16kHz, 32kHz, 48kHz
Environment Noise Filtering	yes
<b>Network</b>	
Protocols	IPv4/IPv6, HTTP, HTTPS, 802.1x, Qos, FTP, SMTP, UPnP, SNMP, DNS, DDNS, NTP, RTSP, RTCP, RTP, TCP/IP, UDP, IGMP, ICMP, DHCP, PPPoE, Bonjour
Simultaneous Live View	Up to 20 channels
API	Open Network Video Interface (Profile S, Profile G, Profile T), ISAPI, SDK
User/Host	Up to 32 users. 3 levels: Administrator, Operator and User
Security	User authentication (ID and PW), Host authentication (MAC address); HTTPS encryption; IEEE 802.1x port-based network access control; IP address filtering
Network Storage	NAS (NFS, SMB/CIFS), auto network replenishment (ANR)
Client	iVMS-4200, iVMS-4500, iVMS-5200, Hik-Connect
Web Browser	IE11, Chrome 57.0+, Firefox 52.0+, Safari 11+
<b>Image</b>	
Image Parameters Switch	yes
Image Settings	saturation, brightness, sharpness, contrast
Day/Night Switch	auto
Wide Dynamic Range (WDR)	120 dB
SNR	> 52dB
Defog	yes
Image Enhancement	HLC/BLC/3D DNR/EIS/Regional Exposure/Regional Focus
Privacy Mask	up to 24 masks
<b>Interface</b>	
Ethernet Interface	RJ45, self-adaptive 10M/100M Ethernet port
On-board Storage	support microSD/microSDHC/microSDXC cards, up to 256 GB
Audio	1-ch audio input and 1-ch audio output
Alarm	7-ch alarm input and 2-ch alarm output
RS-485	HIKVISION, Pelco-P, Pelco-D, self-adaptive
<b>Event</b>	
Basic Event	Motion detection, video tampering alarm, alarm input and output, exception (IP address conflict, HDD full, illegal login, HDD error, network disconnected, Abnormal Reboot)
Smart Event	intrusion detection, line crossing detection, region entrance detection, region exiting detection, unattended baggage detection, object removal detection, audio exception detection
Linkage	Alarm actions, such as Preset, Patrol Scan, Pattern Scan, Memory Card Video Record, Trigger Recording, Notify Surveillance Center, Upload to FTP/Memory Card/NAS, Send Email, etc.

Smart Linkage	manual tracking, event tracking
<b>Deep Learning Function</b>	
Face Capture	<ol style="list-style-type: none"> <li>1. Detects up to 10 faces simultaneously</li> <li>2. Uploads face with background and closed-up face pictures</li> <li>3. Support detecting, tracking, capturing, grading, selecting of face in motion, and output the best face picture of the face</li> </ol>
Face Comparison	Recognizes face identity via face modeling, grading and comparing to those in face library
<b>General</b>	
Power	100 VAC to 240 VAC, Max.: 60 W
Dimension	Φ 255 mm × 405 mm ( Φ 10" × 15.9")
Weight	13.2 kg (29.11 lb.)
Material	SUS316L with anti-corrosion surface spray treatment
Operating Condition	Temperature: -40°C to 60°C (-40°F to 140°F) , Humidity: ≤ 95%
Cable Length	1.95 m (6.40 ft.)
General Function	mirror, password protection, watermark, IP address filter
<b>Approval</b>	
EMC	FCC (47 CFR Part 15, Subpart B); CE-EMC (EN 55032: 2015, EN 61000-3-2: 2014, EN 61000-3-3: 2013, EN 50130-4: 2011 +A1: 2014); RCM (AS/NZS CISPR 32: 2015); IC (ICES-003: Issue 6, 2016); KC (KN 32: 2015, KN 35: 2015)
Safety	UL (UL 62368-1); CB (IEC 60950-1:2005 + Am 1:2009 + Am 2:2013); CE-LVD (EN 62368-1:2014+A11:2017); BIS (IS 13252 (Part 1):2010+A1:2013+A2:2015); LOA (IEC/EN 60950-1)
Protection	IP68, 4000V Lightning Protection, Surge Protection and Voltage Transient Protection
Explosion-Proof Protection	ATEX: Ex II 2GD Ex db IIC T6 Gb /Ex tb IIIC T80°C Db; IECEx: Ex db IIC T6 Gb /Ex tb IIIC T80°C Db

## ▪ DORI

The DORI (detect, observe, recognize, identify) distance gives the general idea of the camera ability to distinguish persons or objects within its field of view. It is calculated based on the camera sensor specification and the criteria given by EN 62676-4: 2015.

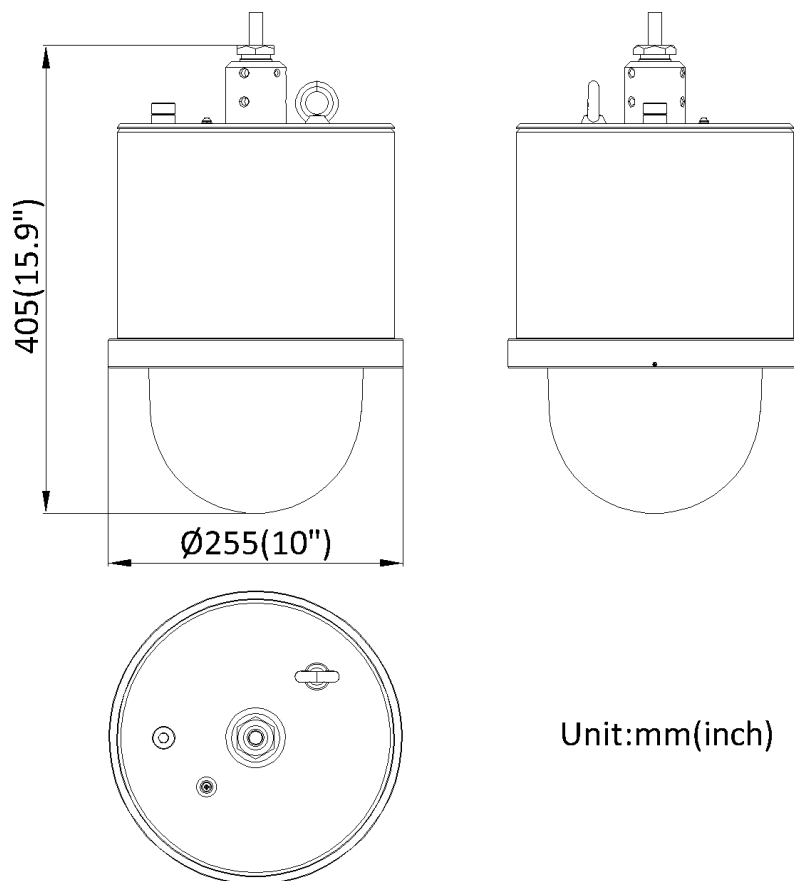
DORI	Detect	Observe	Recognize	Identify
Definition	25 px/m	63 px/m	125 px/m	250 px/m
Distance (Tele)	1855.2m(6085.06 ft)	736.2m(2414.74 ft)	371m(1216.88 ft)	185.5m(608.44 ft)

## ▪ Physical Interface

### ▪ Available Model

DS-2DF6C431-CX(T5/316L)

## ▪ Dimension






▪ **Accessory**

▪ **Included**

**DS-1692ZJ-X-AC(OS)**  
**Wall mount**



▪ **Optional**

<b>DS-2XE2601-1-Y(SS)</b> <b>Explosion Proof Flexible</b> <b>Conduit</b>	<b>DS-2780ZJ-X(OS)(O-STD)</b> <b>/316L</b> <b>Junction box</b>	<b>DS-1693ZJ-X-AC</b> <b>DS-1693ZJ-X-AC</b>
		

**Headquarters**

No.555 Qianmo Road, Binjiang District,  
 Hangzhou 310051, China  
 T +86-571-8807-5998  
 www.hikvision.com



Follow us on social media to get the latest product and solution information.

