

DS-2DF5220S-DE4/W 2MP 20X Network PTZ Dome Camera



smart PTZ

Hikvision DS-2DF5220S-DE4/W smart PTZ Dome Cameras are able to capture high quality images in the indoor environment such as classroom, office and library. Embedded with 1/3" progressive scan CMOS chip and G-sensor makes DWDR and 2MP real-time resolution possible. With the 20X optical zoom Day/Night lens, the camera offers another choice for the indoor environment .

Hikvision DS-2DF5220S-DE4/W smart PTZ Dome Cameras also features a wide range of smart functions, including face detection, intrusion detection, line crossing detection and audio exception, benefitting users with great improvement on security efficiency, more importantly, with key events / objects being recorded for further forensic needs. These features, combined with smart tracking, which enables the camera to detect any progressively moving object and follow it within the camera's area of coverage without fault. Smart Defog and EIS (Electronic Image Stabilization) are further supported to improve image quality in challenging conditions.

Key Features

- 1/3" HD CMOS sensor
- 1920*1080 Full HD, 20X Optical Zoom
- G-sensor for automatically mirror
- DWDR
- Smart Tracking
- Smart Detection
- EIS (Electronic Image Stabilization)
- Defog
- WiFi
- Heat mapping
- PoE+ / 12VDC power supply
- Support EZVIZ



DS-2DF5220S-DE4/W

2MP 20X Network PTZ Dome Camera



Function Description

Basic function:

- High performance CMOS, up to 1920x1080 resolution
- Support linkage with fisheye camera
- Heat mapping
- HDMI output
- G-sensor for automatically mirror
- IR remote control
- $\pm 0.1^\circ$ Preset Accuracy
- ONVIF(Open Network Video Interface Forum), CGI(Common Gateway Interface), PSIA(Physical Security Interoperability Alliance), to ensure greater interoperability between different platforms and compatibility
- 3D intelligent positioning function
- 3D DNR
- Power-off memory function: restore PTZ & Lens status after reboot
- Scheduled PTZ movement
- Support WiFi
- Support HD-SDI output
- Support YPbPr
- Support PoE+

Smart function:

- Smart tracking modes: Manual/ Panorama/ Intrusion trigger/ Line crossing trigger/ Region entrance trigger/ Region exiting trigger, support smart tracking when patrol between multiple scenarios
- Smart detection: support Face detection, Intrusion detection, Line crossing detection, Audio exception detection, Region entrance detection, Region exiting detection
- Smart recording: support edge recording, support smart search in smart NVR
- Smart image processing: support defog, HLC, EIS
- Smart codec: low bit rate, ROI

Camera function:

- Auto iris, auto focus, auto white balance, backlight compensation and auto day & night switch
- Min. Illumination: 0.02Lux@(F1.6,AGC ON)(Color), 0.002Lux@(F1.6,AGC ON)(B/W)

- Support privacy mask with multiple colors and mosaics on polygonal areas

PTZ function:

- 360° endless pan range and -30° -90° tilt range
- 270° /s Pan Preset Speed and 200° /s Tilt Preset Speed
- Manual pan speed of 0.1° -150° /s and manual tilt speed of 0.1° -120° /s
- 300 presets programmable; preset image freezing capability
- 8 patrols, up to 32 presets per patrol
- 4 patterns, with the recording time not less than 10 minutes per pattern
- Park action: auto call up of PTZ movement, after a defined time of inactivity
- 2 alarm inputs and 1 alarm outputs

Network function:

- H.264/MJPEG/MPEG4 video compression and the latest Davinci processing chip and platform
- Support H.264 encoding with Baseline/Main/High profile
- ROI(Region of Interest) encoding(support 24 areas with adjustable levels)
- Built-in Web server
- Micro SD/SDHC/SDXC card local storage
- Support up to 8 NAS storage; Edge recording(transmit the videos from SD card to the NAS after network resumed)
- HTTPS encryption and IEEE 802.1X port-based network access control
- Support three-stream; Basic and advanced video configuration; Real time video at 1080P/960P/720P
- Multiple network protocols supported: IPv4/Ipv6, HTTP, HTTPS, 802.1X, QoS, FTP, SMTP, UPnP, SNMP, DNS, DDNS, NTP, RTSP, RTP, TCP, UDP, IGMP, ICMP, DHCP, PPPoE
- 1 audio input and 1 audio output

DS-2DF5220S-DE4/W

2MP 20X Network PTZ Dome Camera



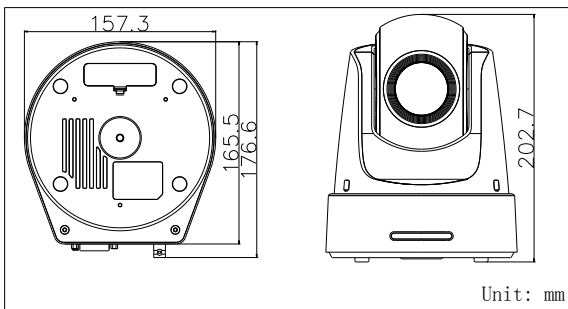
Model	DS-2DF5220S-DE4/W
Camera Module	
Image Sensor	1/3" Progressive Scan CMOS
Min. Illumination	F1.6, 1/1 sec, 50 IRE, AGC On: Color: 0.02 lux, B/W : 0.002 lux F1.6, 1/30 sec, 50 IRE, AGC On: Color:0.3 lux, B/W : 0.02 lux
Max. Image Resolution	1920×1080
Focal Length	4.7-94mm, 20x
Digital Zoom	16X
Zoom Speed	Approx.2.7s(Optical Wide-Tele)
Angle of View	58.3-3.2 degree (Wide-Tele)
Min. Working Distance	10-1500mm(Wide-Tele)
Aperture Range	F1.6~F3.5
Focus Mode	Auto / Semiautomatic / Manual
WDR	Digital WDR
S / N Ratio	≥ 55dB
Shutter Time	50Hz: 1~1/30,000s; 60Hz: 1~1/30,000s
AGC	Auto / Manual
White Balance	Auto / Manual /ATW/Indoor/Outdoor/Daylight lamp/Sodium lamp
Day & Night	IR Cut Filter
Privacy Mask	24 privacy masks programmable; optional multiple colors and mosaics
Enhancement	3D DNR, EIS, Defog, HLC/BLC, SVC
Pan and Tilt	
Range	Pan:360° endless; Tilt: -30°~90°(Auto Flip)
Speed	Pan Manual Speed: 0.1°~150°/s, Pan Preset Speed: 270°/s Tilt Manual Speed: 0.1°~120°/s, Tilt Preset Speed: 200°/s
Number of Preset	300
Patrol	8 patrols, up to 32 presets per patrol
Pattern	4 patterns, with the recording time not less than 10 minutes per pattern
Park Action	Preset / Patrol / Pattern / Auto scan / Tilt scan / Random scan / Frame scan / Panorama scan
Scheduled Task	Preset / Patrol / Pattern / Auto scan / Tilt scan / Random scan / Frame scan / Panorama scan/Dome reboot/Dome adjust/Aux output
Smart Features	
Smart tracking	Manual/ Panorama/ Intrusion trigger/ Line crossing trigger/ Region entrance trigger/ Region exiting trigger Smart tracking when patrol between multiple scenarios
Smart detection	Face detection, Intrusion detection, Line crossing detection, Audio exception detection, Region entrance detection, Region exiting detection
ROI encoding	Support 24 areas with adjustable levels
Alarm	
Alarm I/O	2/1
Alarm Trigger	Face detection, Intrusion detection, Line crossing detection, Region entrance, Region exiting, Audio exception, Motion detection, Dynamic analysis, Tampering alarm, Network disconnect, IP address conflict, Storage exception
Alarm Action	Preset, Patrol, Pattern, Micro SD/SDHC card recording, Relay output, Notification on Client, Send Email, Upload to FTP, Trigger Channel
Input/Output	
Monitor Output	1.0V[p-p] / 75Ω, NTSC (or PAL) composite, BNC
Audio Input	1 Mic in/Line in interface, line input: 2-2.4V[p-p]; output impedance: 1KΩ, ±10%
Audio Output	1 Audio output interface, line level, impedance: 600Ω
HD-SDI Output	1 HD-SDI interface Video Output: 720P@25fps/30fps/50fps/60fps; 1080P@25fps/30fps/50fps/60fps, 1080I@50fps/60fps
YPbPr Output	DVI-D interface, DVI-D to YPbPr adapter (not included) required Video Output: 720P@50fps/60fps; 1080P@50fps/60fps, 1080I@50fps/60fps
HDMI Output	DVI-D interface, DVI-D to HDMI adapter (not included) required Video Output: 720P@50fps/60fps; 1080P@50fps/60fps, 1080I@50fps/60fps
Wifi	
Wireless Standards	IEEE802.11b, 802.11g, 802.11n
Frequency Range	2.4 GHz ~ 2.4835 GHz
Channel Bandwidth	20/40MHz Support
Protocols	802.11b: CCK, QPSK, BPSK 802.11g/n: OFDM

DS-2DF5220S-DE4/W 2MP 20X Network PTZ Dome Camera



Security	64/128-bit WEP, WPA/WPA2, WPA-PSK/WPA2-PSK, WPS
Transfer Rates	11b: 11Mbps
	11g: 54Mbps
	11n: up to 150Mbps
Wireless Range	50m(*The performance varies depending on actual environment.)
Network	
Ethernet	10Base-T / 100Base-TX, RJ45 connector
Main Stream	50Hz: 25fps(1920×1080, 1280×960, 1280×720); 60Hz: 30fps(1920×1080, 1280×960, 1280×720)
Sub Stream	50Hz: 25fps(704×576, 352×288, 176×144); 60Hz: 30fps(704×480, 352×240, 176×120)
Third Stream	50Hz: 25fps(1920×1080, 1280×960, 1280×720, 704×576, 352×288, 176×144) 60Hz: 30fps(1920×1080, 1280×960, 1280×720, 704×480, 352×240, 176×120)
Image Compression	H.264/MJPEG/MPEG4, H.264 encoding with Baseline/Main/High profile
Audio Compression	G.711ulaw/G.711alaw/G.726/MP2L2/G.722
Protocols	IPv4/IPv6, HTTP, HTTPS, 802.1X, QoS, FTP, SMTP, UPnP, SNMP, DNS, DDNS, NTP, RTSP, RTP, TCP, UDP, IGMP, ICMP, DHCP, PPPoE
Simultaneous Live View	Up to 20 users
Mini SD Memory Card	Support up to 128GB Micro SD/SDHC/SDXC card. Support Edge recording
User/Host Level	Up to 32 users, 3 Levels: Administrator, Operator and User
Security Measures	User authentication (ID and PW); Host authentication (MAC address); IP address filtering
System Integration	
Application programming	Open-ended API, support ONVIF, PSIA, CGI and Genetec
Web Browser	IE 7+, Chrome 18+, Firefox 5.0+, Safari 5.02+, support multi-language
RS-485 Protocols	HIKVISION, Pelco-P, Pelco-D, self-adaptive
RS-232	Visca, Pelco-P, Pelco-D
Power	12VDC, PoE+, Max. 24W
Working Temperature	-10° C ~ 50° C (-14° F ~ 122° F)
Humidity	90% or less
Certification	FCC, CE, UL, RoHS, IEC/EN 61000, IEC/EN 55022, IEC/EN 55024, IEC/EN60950-1
Dimensions	Φ176.6(mm)×202.7(mm)
Weight (approx.)	1.8kg
Mount Option	Pendent mount: DS-1691ZJ; Wall mount: DS-1692ZJ

Dimensions



Accessories



DS-1691ZJ
Pendent Mount Bracket



DS-1692ZJ
Wall Mount Bracket



DS-1100KI
Network Keyboard



DS-1005KI
USB Joy-stick