

## DS-2CD6425G0-XX(B) 2 MP Covert Network Camera



- High quality imaging with 2 MP resolution
- Efficient H.265+ compression technology to save bandwidth and storage
- Clear imaging against strong back light due to 120 dB true WDR technology
- Audio and alarm interface available
- 3D DNR technology delivers clean and sharp images



## ▪ Specification

Camera	
Image Sensor	1/2.8" Progressive CMOS
Min. Illumination	Color: 0.005 Lux @(F1.2,AGC ON), 0.014 Lux @(F2.0,AGC ON)
Shutter Speed	1/3 s to 1/100,000 s
Slow Shutter	Yes
P/N	P/N
Wide Dynamic Range	120 dB
Day & Night	Electronic
Lens	
Lens Type & FOV	L10: 3.7 mm: H 71.4°, V 39.4°, D 82.6°
	L20: 2.8 mm: H 88.6°, V 49.0°, D 100.4° 3.7 mm: H 71.4°, V 39.4°, D 82.6°
	L30: 2.8 mm: H 101.5°, V 54.8°, D 118.9° 4 mm: H 79.6°, V 42.9°, D 94.6° 6 mm: H 50.1°, V 28.8°, D 57.1°
Aperture	L10: 3.7 mm: F2.5
	L20: 2.8 mm: F2.5 3.7 mm: F2.5
	L30: 2.8 mm: F2.0 4 mm: F2.0 6 mm: F2.0
Lens Mount	M12, Pin hole
Video	
Max. Resolution	1920 × 1080
Main Stream	50Hz: 25fps (1920 × 1080, 1280 × 960, 1280 × 720) 60Hz: 30fps (1920 × 1080, 1280 × 960, 1280 × 720)
Sub Stream	50Hz: 25fps (640 × 480, 640 × 360, 320 × 240) 60Hz: 30fps (640 × 480, 640 × 360, 320 × 240)
Third Stream	50Hz: 1fps (1920 × 1080, 1280 × 720, 704 × 576, 640 × 480, 640 × 360, 352 × 288, 320 × 240) 60Hz: 1fps (1920 × 1080, 1280 × 720, 704 × 480, 640 × 480, 640 × 360, 352 × 240, 320 × 240)
Video Compression	Main stream: H.265/H.264 Sub-stream: H.265/H.264/MJPEG Third stream: H.265/H.264
Video Bit Rate	32 Kbps to 8 Mbps
H.264 Type	Baseline Profile/Main Profile/High Profile
H.265 Type	Main Profile
H.264+	Main Stream supports
H.265+	Main Stream supports
Bit Rate Control	CBR/VBR
Scalable Video Coding (SVC)	Yes
Region of Interest (ROI)	1 fixed region for main stream

<b>Audio</b>	
Environment Noise Filtering	Yes
Audio Sampling Rate	8 kHz/16 kHz/32 kHz/44.1 kHz/48 kHz
Audio Compression	G.711ulaw/G.711alaw/G.722.1/G.726/MP2L2/PCM
Audio Bit Rate	64Kbps(G.711ulaw/G.711alaw)/16Kbps(G.722.1)/16Kbps(G.726)/32-192Kbps(MP2L2)
<b>Network</b>	
Simultaneous Live View	Up to 6 channels
API	ONVIF(PROFILE S, PROFILE G, PROFILE T), ISAPI, SDK
Protocols	TCP/IP, ICMP, HTTP, HTTPS, FTP, DHCP, DNS, DDNS, RTP, RTSP, NTP, UPnP, SMTP, IGMP, 802.1X, QoS, IPv6, UDP, Bonjour, SSL/TLS,PPPoE,SNMP
Smooth Streaming	Yes
User/Host	Up to 32 users. 3 user levels: administrator, operator and user
Security	Password protection, complicated password, HTTPS encryption, IP address filter, basic and digest authentication for HTTP/HTTPS, TLS 1.2, WSSE and digest authentication for ONVIF
Network Storage	microSD/SDHC/SDXC card (256 GB) local storage, and NAS(NFS, SMB/CIFS), auto network replenishment (ANR) Together with high-end Hikvision memory card, memory card encryption and health detection are supported.
Client	iVMS-4200, Hik-Connect, Hik-Central
Web Browser	Plug-in required live view: IE8+, Chrome 41.0-44, Firefox 30.0-51, Safari 8.0-11
<b>Image</b>	
Day/Night Switch	Day, Night, Auto, Schedule
Image Enhancement	BLC, 3D DNR
Image Settings	Rotate mode, saturation, brightness, contrast, sharpness, gain, white balance adjustable by client software or web browser
<b>Interface</b>	
Alarm	1 input, 1 output (max. 12 VDC, 30 mA)
Audio	1 input (line in), connector, max. input amplitude: 3.3 vpp; 1 output (line out) connector, max.output amplitude: 3.3 vpp
RS-485	1 RS-485 interface, half duplex
On-board Storage	Built-in micro SD/SDHC/SDXC slot, up to 256 GB
Hardware Reset	Yes
Communication Interface	1 RJ45 10M/100M self-adaptive Ethernet port
<b>Smart Feature-Set</b>	
Smart Event	Intrusion detection, line crossing detection, region entrance detection, region exiting detection
<b>Intelligent (Traditional Algorithm)</b>	
Basic Event	Motion detection, video tampering alarm, exception (network disconnected, IP address conflict, illegal login, HDD full, HDD error)
<b>General</b>	
Linkage Method	Upload to NAS/memory card, notify surveillance center, trigger record, trigger capture
Web Client Language	32 languages: English, Russian, Estonian, Bulgarian, Hungarian, Greek, German, Italian, Czech, Slovak, French, Polish, Dutch, Portuguese, Spanish, Romanian, Danish, Swedish, Norwegian, Finnish, Croatian, Slovenian, Serbian, Turkish, Korean, Traditional Chinese, Thai, Vietnamese, Japanese,Latvijas ,lietuviešu ,Português
Software Reset	Yes
Firmware Version	V5.5.98
General Function	Anti-flicker, heartbeat, mirror, privacy masks, password reset via e-mail

Startup and Operating Conditions	-10 °C to 40 °C (14 °F to 104 °F)
Power Supply	12 VDC ± 20% PoE: 802.3af, Type 1 Class 2
Power Consumption and Current	12 VDC, 0.3 A, max. 3.6 W POE(802.3af, 36 V to 57 V), 0.2 A to 0.1 A, max. 4 W
Power Interface	2-core terminal block
Camera Dimension	Main Body: 77.5 × 69 × 26 mm (3.1" × 2.7" × 1.0") Main Body with Bracket: 82.3 × 72.6 × 33.5 mm (3.3" × 2.9" × 1.3") L10: Ø26 × 32.7 mm (Ø1.0" × 1.3") L20: 37 × 26 × 15.1 mm (1.6" × 1.0" × 0.6") L30: Ø26 × 51.4 mm (Ø1.0" × 2.0")
Camera Weight	92 g (0.2 lb.)
With Package Weight	592 g (1.3 lb.)
<b>Approval</b>	
EMC	FCC ID (47 CFR Part 15, Subpart B); CE-EMC (EN 55032: 2015, EN 61000-3-2: 2014, EN 61000-3-3: 2013, EN 50130-4: 2011 +A1: 2014); RCM (AS/NZS CISPR 32: 2015); IC (ICES-003: Issue 6, 2016); KC (KN 32: 2015, KN 35: 2015)
Safety	UL (UL 60950-1); CB (IEC 60950-1:2005 + Am 1:2009 + Am 2:2013); CE-LVD (EN 60950-1:2005 + Am 1:2009 + Am 2:2013); BIS (IS 13252(Part 1):2010+A1:2013+A2:2015); LOA (IEC/EN 60950-1)
Environment	CE-RoHS (2011/65/EU); WEEE (2012/19/EU); Reach (Regulation (EC) No 1907/2006) Reach Regulation (EC) No 1907/2006

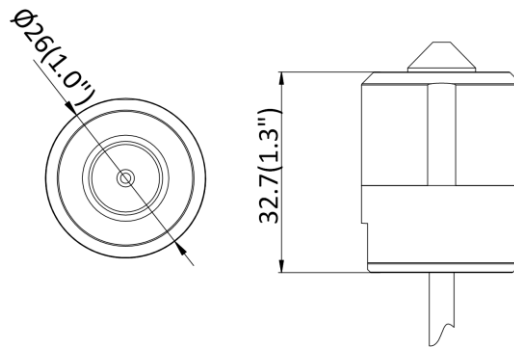
## ▪ Available Model

DS-2CD6425G0-C1(B)  
 DS-2CD6425G0-L10(3.7mm)2m(B)  
 DS-2CD6425G0-L10(3.7mm)8m(B)  
 DS-2CD6425G0-L20(2.8mm)2m(B)  
 DS-2CD6425G0-L20(2.8mm)8m(B)  
 DS-2CD6425G0-L20(3.7mm)2m(B)  
 DS-2CD6425G0-L20(3.7mm)8m(B)  
 DS-2CD6425G0-L30(2.8mm)2m(B)  
 DS-2CD6425G0-L30(2.8mm)8m(B)  
 DS-2CD6425G0-L30(4mm)2m(B)  
 DS-2CD6425G0-L30(4mm)8m(B)  
 DS-2CD6425G0-L30(6mm)2m(B)  
 DS-2CD6425G0-L30(6mm)8m(B)  
 DS-2CD6425G0-10(3.7mm)2m(B)  
 DS-2CD6425G0-10(3.7mm)8m(B)  
 DS-2CD6425G0-20(2.8mm)2m(B)  
 DS-2CD6425G0-20(2.8mm)8m(B)  
 DS-2CD6425G0-20(3.7mm)2m(B)  
 DS-2CD6425G0-20(3.7mm)8m(B)

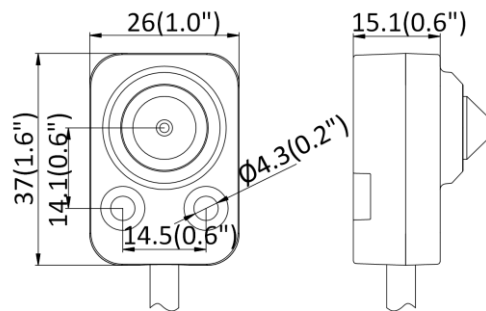
- DS-2CD6425G0-30(2.8mm)2m(B)
- DS-2CD6425G0-30(2.8mm)8m(B)
- DS-2CD6425G0-30(4mm)2m(B)
- DS-2CD6425G0-30(4mm)8m(B)
- DS-2CD6425G0-30(6mm)2m(B)
- DS-2CD6425G0-30(6mm)8m(B)

▪ **Dimension**

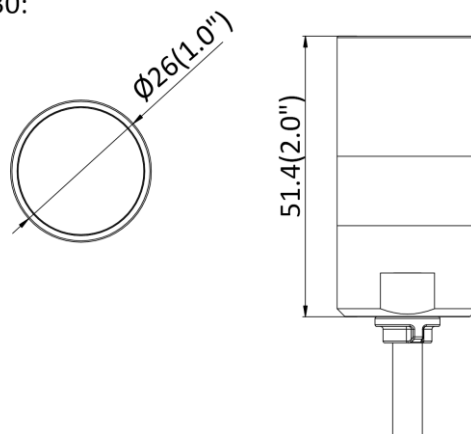
L10:



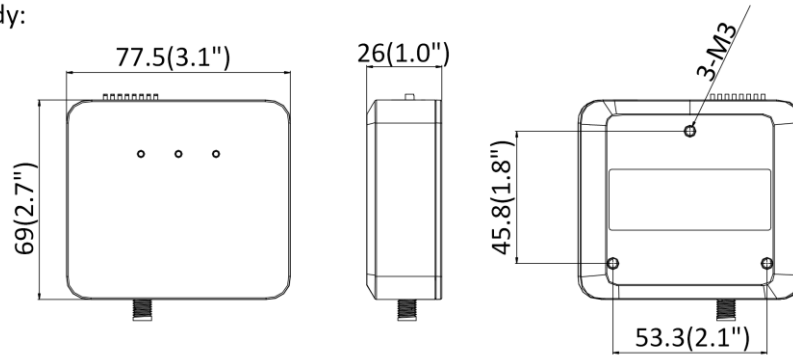
L20:



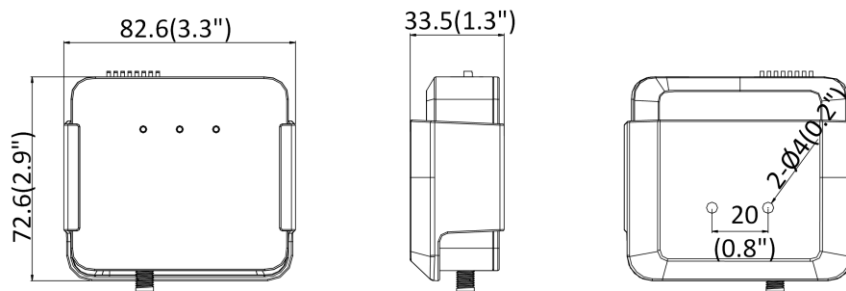
L30:



## Main Body:



## Main Body with Bracket:



Unit: mm (inch)

Distributed by



# HIKVISION®

## Headquarters

No.555 Qianmo Road, Binjiang District,  
Hangzhou 310051, China  
T +86-571-8807-5998  
overseasbusiness@hikvision.com

**Hikvision USA**  
T +1-909-895-0400  
sales.usa@hikvision.com

**Hikvision Australia**  
T +61-2-8599-4233  
salesau@hikvision.com

**Hikvision India**  
T +91-22-28469900  
sales@pramahikvision.com

**Hikvision Canada**  
T +1-866-200-6690  
sales.canada@hikvision.com

**Hikvision Thailand**  
T +662-275-9949  
sales.thailand@hikvision.com

**Hikvision Europe**  
T +31-23-5542770  
sales.eu@hikvision.com

**Hikvision Italy**  
T +39-0438-6902  
info.it@hikvision.com

**Hikvision Brazil**  
T +55 11 3318-0050  
Latam.support@hikvision.com

**Hikvision Turkey**  
T +90 (216)521 7070- 7074  
sales.tr@hikvision.com

**Hikvision Malaysia**  
T +601-7652-2413  
sales.my@hikvision.com

**Hikvision UK & Ireland**  
T +01628-902140  
sales.uk@hikvision.com

**Hikvision South Africa**  
Tel: +27 (10) 0351172  
sale.africa@hikvision.com

**Hikvision France**  
T +33(0)1-85-330-450  
info.fr@hikvision.com

**Hikvision Kazakhstan**  
T +7-727-9730667  
nikia.panfilov@hikvision.ru

**Hikvision Vietnam**  
T +84-974270888  
sales.vt@hikvision.com

**Hikvision UAE**  
T +971-4-4432090  
salesme@hikvision.com

**Hikvision Singapore**  
T +65-6684-4718  
sg@hikvision.com

**Hikvision Spain**  
T +34-91-737-16-55  
info.es@hikvision.com

**Hikvision Tashkent**  
T +99-87-1238-9438  
uzb@hikvision.ru

**Hikvision Hong Kong**  
T +852-2151-1761  
info.hk@hikvision.com

**Hikvision Russia**  
T +7-495-669-67-99  
saleru@hikvision.com

**Hikvision Korea**  
T +82-(0)31-731-8817  
sales.korea@hikvision.com

**Hikvision Poland**  
T +48-22-460-01-50  
info.pl@hikvision.com

**Hikvision Indonesia**  
T +62-21-2933759  
Sales.Indonesia@hikvision.com

**Hikvision Colombia**  
sales.colombia@hikvision.com