

**DS-2280ZJ-WA160**  
**Junction Box**



- Junction box

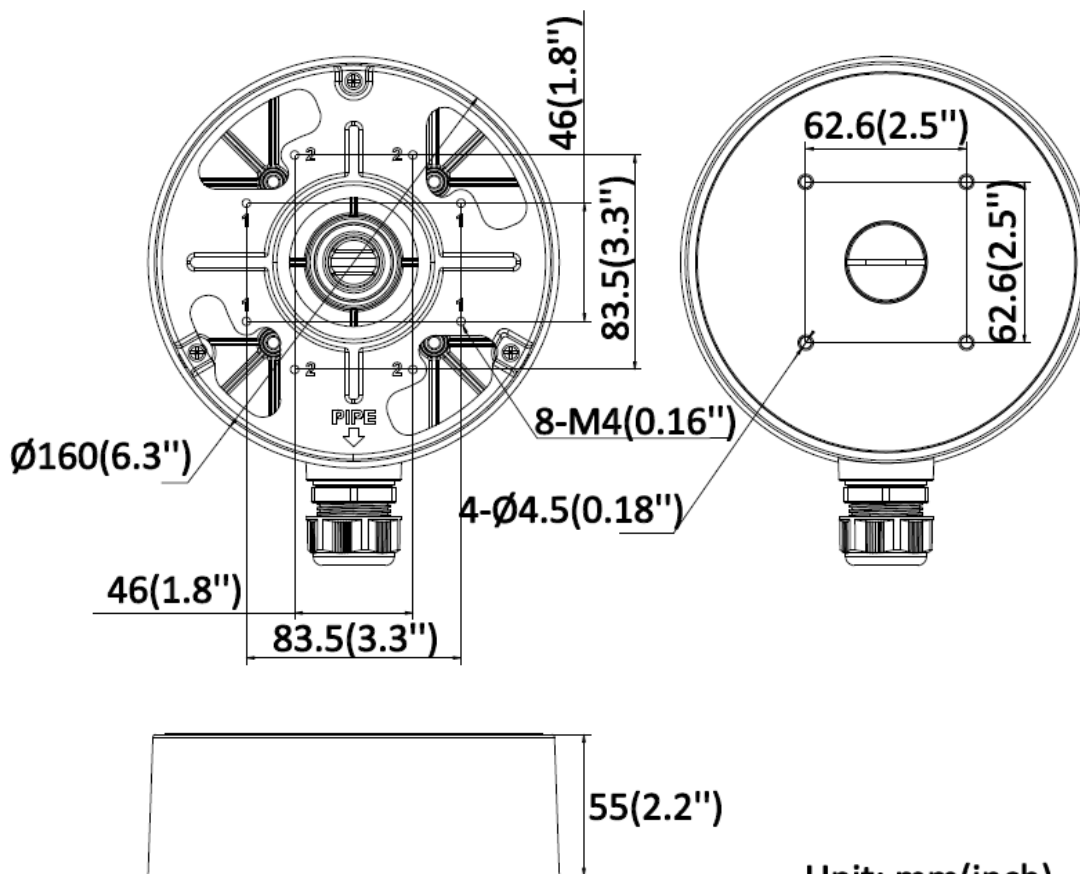
▪ **Specification**

General	
Material	Aluminum alloy body
Dimension	Ø160 × 55 mm (Ø6.3" × 2.1")
Weight	Approx. 442.6 g (0.97 lb.)

▪ **Available Model**

DS-2280ZJ-WA160

▪ **Dimension**



**Headquarters**

No.555 Qianmo Road, Binjiang District,  
Hangzhou 310051, China  
T +86-571-8807-5998  
www.hikvision.com



Follow us on social media to get the latest product and solution information.

