

**DS-2280ZJ-WA120**  
**Junction box**



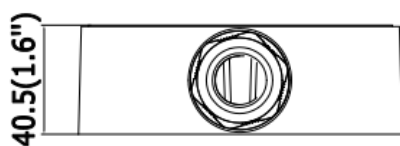
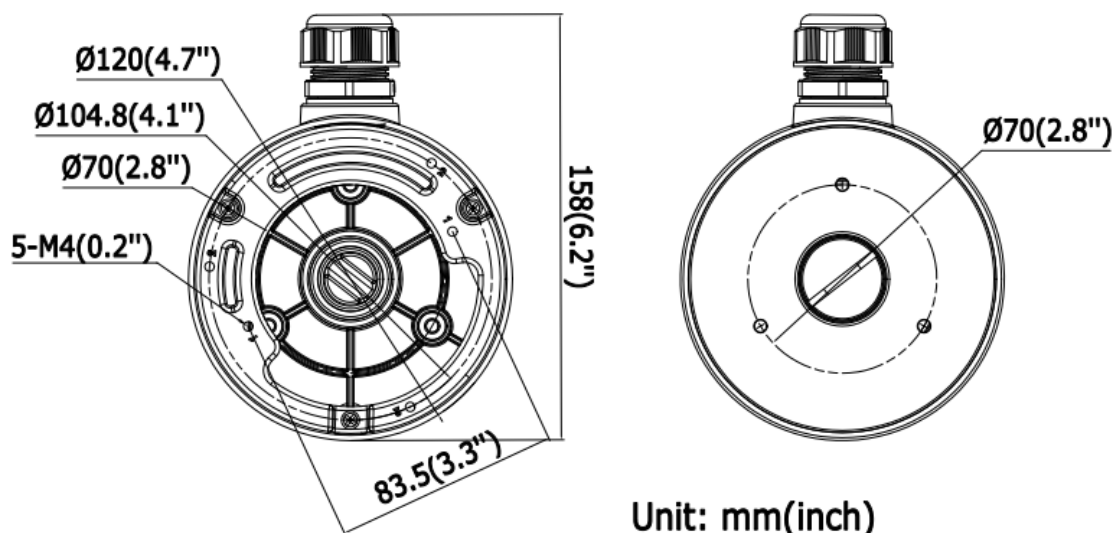
## ▪ Specification

Parameters	
Color	White
Weight	Approx. 261.6 g (0.58 lb.)
Material	Aluminum + stainless steel +silicone+ EVA
Dimension	Ø120 mm × 40.5 mm (Ø4.7" × 1.6")

## ▪ Available Model

DS-2280ZJ-WA120

## ▪ Dimension



Camera Mounting Hole (mm)	Camera Mounting Hole (inch)
Single Gang (2* $\text{M}4$ )	Single Gang (2* $\text{M}0.2\text{'}$ )
$\text{Ø}104.8(3*\text{M}4)$	$\text{Ø}4.1\text{'}(3*\text{M}0.2\text{'})$

Wall Mounting Hole (mm)	Wall Mounting Hole (inch)
$\text{Ø}70(3*\text{M}4)$	$\text{Ø}2.8\text{'}(3*\text{M}0.2\text{'})$

### Headquarters

No.555 Qianmo Road, Binjiang District,  
Hangzhou 310051, China  
T +86-571-8807-5998  
www.hikvision.com



Follow us on social media to get the latest product and solution information.



Hikvision



HikvisionHQ



HikvisionHQ



Hikvision\_Global



Hikvision  
Corporate Channel



hikvisionhq