



UBIQUITI[®]
N E T W O R K S



*air*Fiber[®] X

5 GHz RocketDish™ to airFiber[®] X
Antenna Conversion Kit

Model: AF-5G-OMT-S45

QUICK START GUIDE

Introduction

Thank you for purchasing the Ubiquiti Networks® 5 GHz RocketDish to airFiber X Antenna Conversion Kit, model AF-5G-OMT-S45. The kit converts the RocketDish RD-5G30 or RD-5G34 antenna for use with an airFiber X radio. This Quick Start Guide is designed to guide you through the installation.

Package Contents



airFiber OMT



Screws
(Qty, 5)



Seal Ring



Phillips
Bit

Before You Begin

You'll need a driver for use with the included *Phillips Bit*.



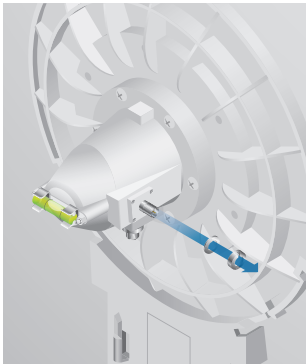
Note: The *Phillips Bit* has sharper point detail to engage into the painted screw recess. Japanese Industrial Standard (JIS) type screwdrivers with this profile are available from online sources and industrial suppliers.

Search for "*JIS 1x75 screwdriver*".
Select Tip No. 1.

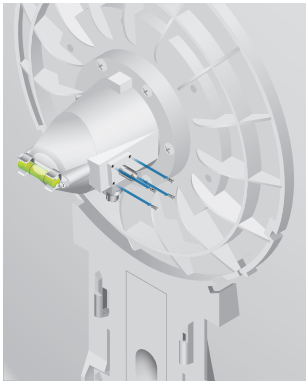
Hardware Installation

To install the AF-5G-OMT-S45, disassemble the mounting hardware (refer to the RocketDish Quick Start Guide if necessary) to access the back of the antenna feed. Once the back of the antenna feed is accessible, perform the following steps:

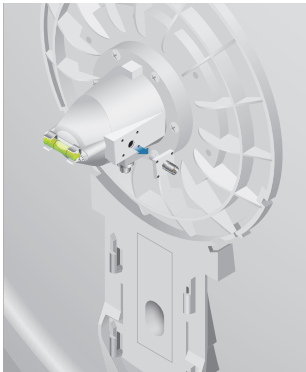
1. Remove the ring, rubber gasket, and washer around the SMA connector on the rear right side of the RocketDish antenna feed.



2. Use a driver with the included *Phillips Bit* to remove the four screws holding the SMA connector in place.

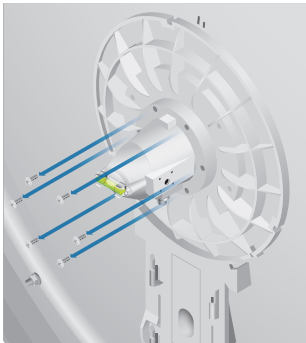


3. Remove the SMA connector.



640-00169-02

4. Use a driver with the included *Phillips Bit* to remove the screws securing the OMT to the RocketDish.

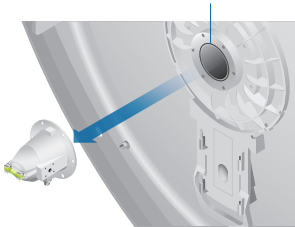


5. Remove the OMT from the RocketDish.



Note: The *Seal Ring Groove* is designed to hold the *Seal Ring*. The existing *Seal Ring* may be reused without removal. A new *Seal Ring* is provided if needed.

Seal Ring Groove with Seal Ring



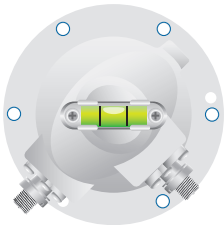
- Align the airFiber OMT with the connectors toward the radio mount and the level horizontal.



Note: Only the five screws included are used. Placement depends upon the RocketDish.

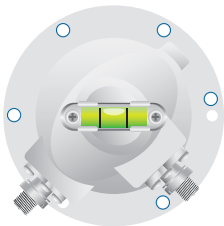
Older RocketDish Models

The hole positions at one, three, five, nine, and eleven o'clock are used.



Newer RocketDish Models

The hole positions at one, two-thirty, five, nine, and eleven o'clock are used.



7. Use a driver with the included *Phillips Bit* to secure the airFiber OMT to the antenna using the included five *Screws*.





www.ubnt.com

©2015 Ubiquiti Networks, Inc. All rights reserved. Ubiquiti, Ubiquiti Networks, the Ubiquiti U logo, the Ubiquiti beam logo, airFiber, and RocketDish are trademarks or registered trademarks of Ubiquiti Networks, Inc. in the United States and in other countries. All other trademarks are the property of their respective owners.

RR020415