

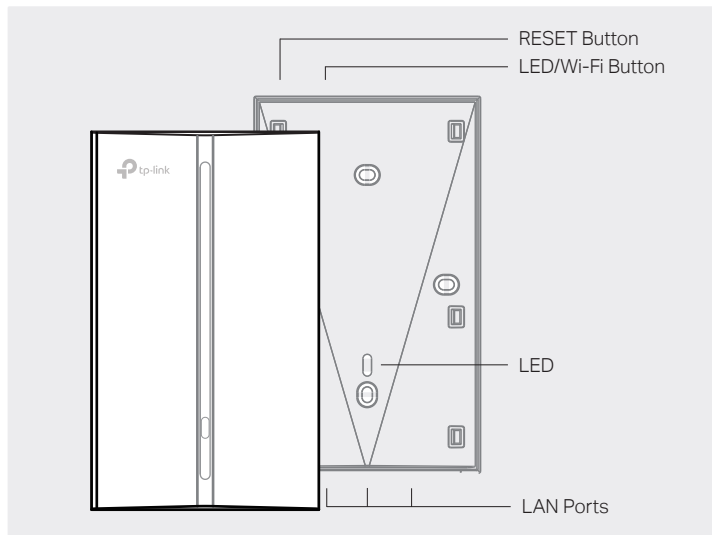
Quick Installation Guide

Wireless Wall Plate Access Point

Note: Festa F65-Wall is used as an example throughout the installation. Images may differ from your actual product.
©2024 TP-Link 7106511042 REV1.0.0

1 Hardware Overview

Front Panel



RESET Button

With the AP powered on, press and hold the button for about 5 seconds until the LED flashes, then release the button. The AP will restore to factory default settings.

LED/Wi-Fi Button

When the AP is working in Standalone Mode and enabled with Wi-Fi Control, press the button to turn on/off both the Wi-Fi and LED. In the other cases, press the button to turn on/off the LED only.

LAN Ports

Wired devices can be connected to the LAN ports via Ethernet cables and access the network.

LED Indicator

On: Working normally/Initializing.

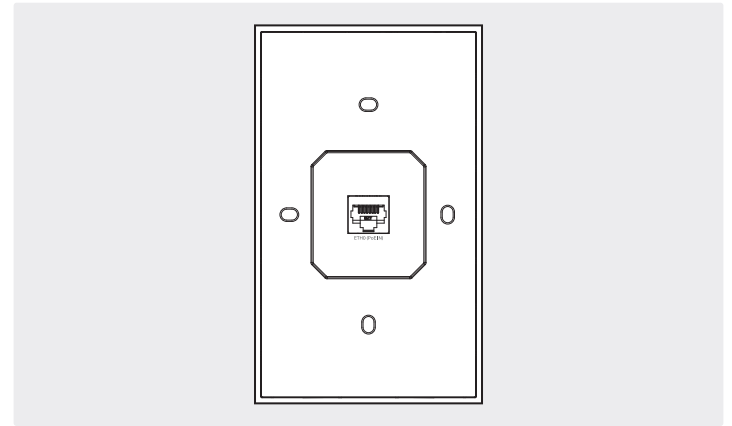
Off: Working abnormally/Power off/LED is turned off.

Flash:

- Flash twice: Initialization is completed.
- Flash once per second: The AP is upgrading.
- Flash quickly: The AP is resetting or the Festa controller is locating the AP*.

* When the Locate feature is activated in the Festa controller, the LED flashes quickly to locate and identify the device. The LED will flash for 10 minutes, or you can disable the feature manually to stop it flashing.

Rear Panel



ETH0 (PoE IN) Port

Connected to a PSE (Power Sourcing Equipment), such as a PoE switch, for both data transmission and Power. The PSE supports 802.3af/at inputs and complies with Power Source Class 2 (PS2) or Limited Power Source (LPS) of IEC 62368-1.

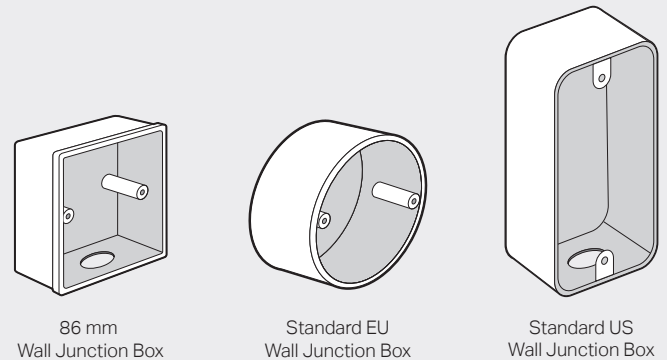
2 Hardware Installation

Before installation, be sure that you have the following items:

- A pre-installed wall junction box
- An RJ45 plug
- A Phillips screwdriver
- A PoE switch

The AP can be mounted into a wall junction box. The junction box should be pre-installed with a running-in-wall Ethernet cable connected to a PoE switch.

Common wall junction boxes:

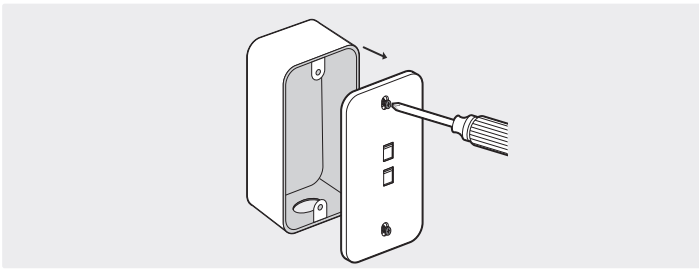


Safety Information

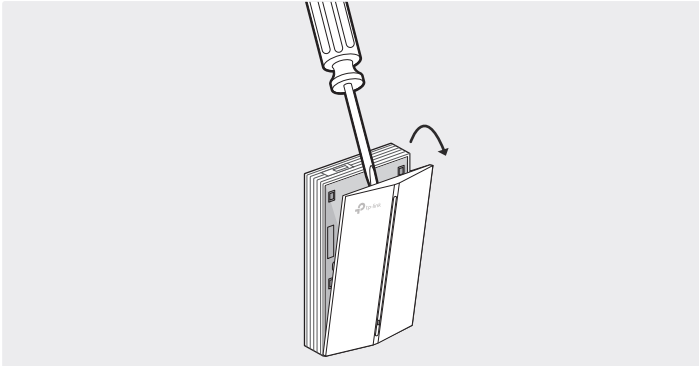
- Keep the device away from water, fire, humidity or hot environments.
- Do not attempt to disassemble, repair, or modify the device. If you need service, please contact us.
- Do not use the device where wireless devices are not allowed.



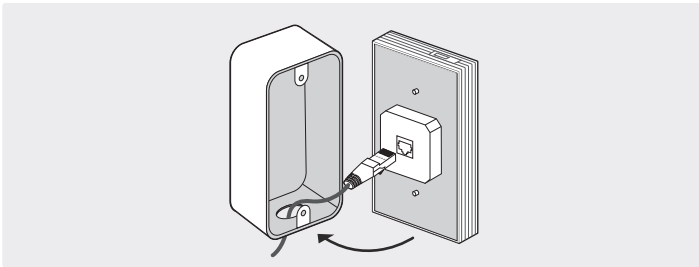
1. Detach the faceplate of the junction box with a Phillips screwdriver (demonstrated with a standard US wall junction box).



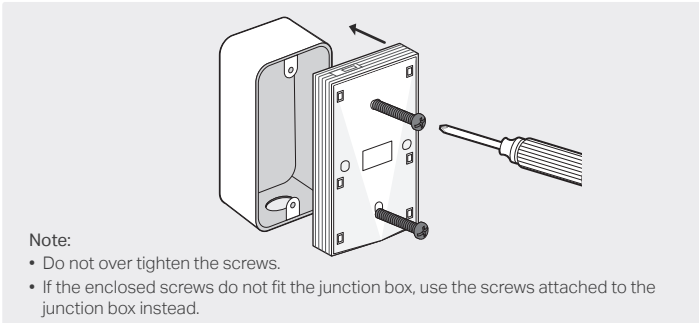
2. Detach the faceplate of the AP with a screwdriver.



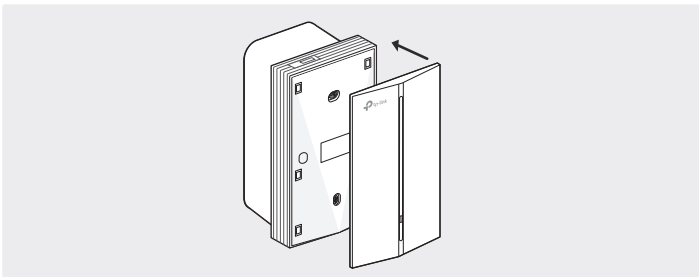
3. Connect the Ethernet cable inside the junction box to an RJ45 plug. Then connect the cable to the ETH0 (PoE IN) port. Position the Ethernet cable to ensure it is not strained.



4. Insert the enclosed screws and tighten them with a Philips screwdriver to secure the mounting bracket.

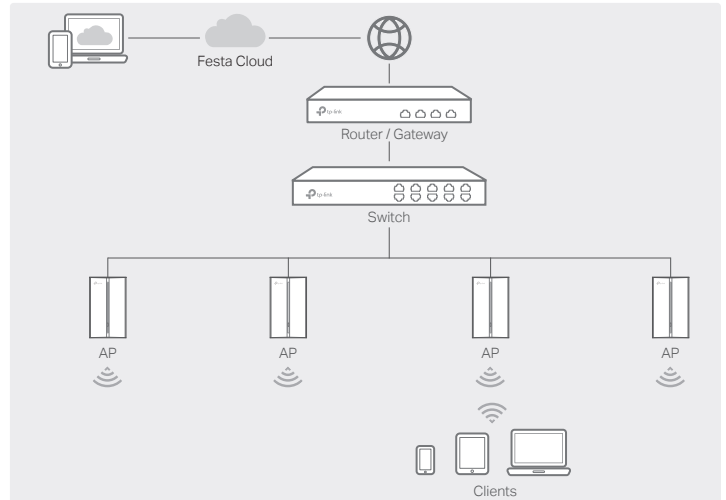


5. Press the faceplate of the AP back into position.



3 Software Configuration

You can configure and manage Festa APs via the Festa Cloud-Based Controller.



Option 1: Via a Web Browser

1. Make sure that your management device can access the internet.
2. Launch a web browser and enter <https://festa.tplinkcloud.com> in the address bar. Log in with your TP-Link ID.



3. Click **+ Add Controller**, then you will see you have successfully registered for a Cloud-Based Controller and the controller has been added to the controller list.
4. Click **Set Up Now**, click **Config New Setup** and follow the step-by-step instructions to complete the configuration wizard of the controller.
5. On the controller's management page, go to **Devices**, and click **+ Add Devices** and follow the step-by-step instructions to adopt the Festa AP.

Now you can configure and manage the Festa AP on the controller.

Option 2: Via Festa App

1. Download and install the Festa App from App Store or Google Play.



2. Launch the Festa App and log in with your TP-Link ID.
3. Tap **+** on the upper right corner, then you will see you have successfully registered for a Cloud-Based Controller and the controller has been added to the controller list.
4. Tap **Confirm**, tap **Let's Get Started** and follow the step-by-step instructions to complete the configuration wizard of the controller.
5. On the controller's management page, go to **Devices**, and click **+** on the upper right corner, and follow the step-by-step instructions to adopt the Festa AP.

Now you can configure and manage the Festa AP via the Festa App.

TP-Link hereby declares that the device is in compliance with the essential requirements and other relevant provisions of directives 2014/53/EU, 2011/65/EU and (EU)2015/863.

The original EU Declaration of Conformity may be found at <https://www.tp-link.com/en/support/ce/>

TP-Link hereby declares that the device is in compliance with the essential requirements and other relevant provisions of the Radio Equipment Regulations 2017.

The original UK Declaration of Conformity may be found at <https://www.tp-link.com/support/ukca/>

For the detailed configurations, refer to the User Guide of the controller. The guide can be found on the download center of our official website: <https://www.tp-link.com/support/download?type=smb>.

To ask questions, find answers, and communicate with TP-Link users or engineers, please visit <https://community.tp-link.com/business> to join TP-Link Community.

For technical support, the user guide and other information, please visit <https://www.tp-link.com/support?type=smb>, or simply scan the QR code.

