

Robot Vacuum Replacement Kit

- Tapo RVA105
- Tapo RVA202
- Tapo RVA301



Replacement Videos

Scan QR code or visit

<https://www.tp-link.com/support/setup-video/#robot-vacuum-accessory>



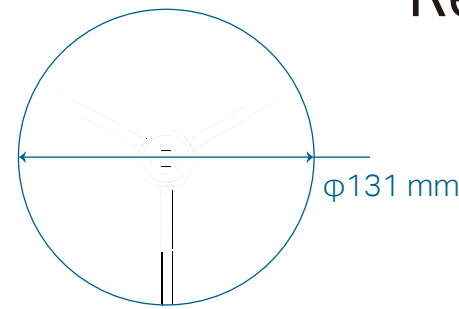
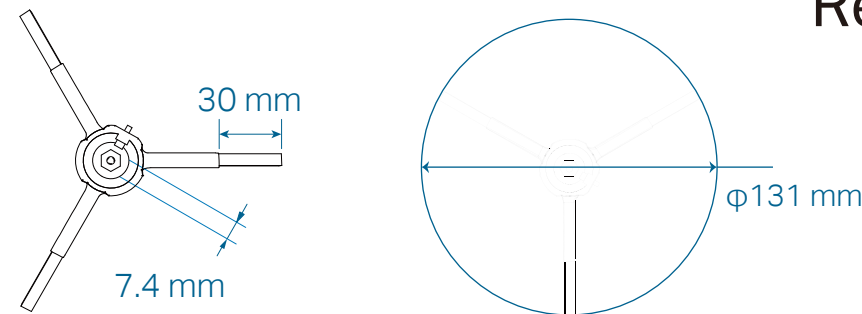
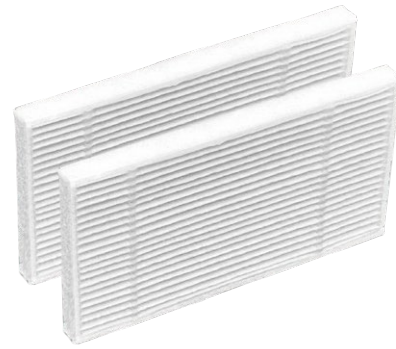
Tapo RVA105



Main Brush ×1
Side Brush ×2
Washable HEPA Filter ×2

Compatible Models:

Tapo RV30 Max Plus
Tapo RV30 Max
Tapo RV20 Max Plus
Tapo RV20 Max



Washable HEPA Filter

Material: Washable PTFE + H11 filtering

Dimension: 86 x 55 x 8.2 mm (3.4 x 2.2 x 0.3 in)

Maintenance Frequency: Once a week

Replacement Frequency: 3 - 6 months

Side Brush

Material: ABS757 + TPU + PBT

Size Diameter: 131 mm / 5.2 in

Length of Brush: 30 mm / 1.2 in

Maintenance Frequency: Once a month

Replacement Frequency: 3 - 6 months

Main Brush

Material: Rubber bristle roller (soft rubber blades + symmetrical bristles)

Dimension: 180.4 mm / 7.1 in (length); ϕ 42 mm / ϕ 1.6 in (outer diameter)

Maintenance Frequency: Once a week

Replacement Frequency: 3 - 6 months

Tapo RVA202



3L Disposable Dust Bag ×5

Compatible Models:

Tapo RV30 Max Plus
Tapo RV20 Max Plus

Disposable Dust Bag

Dimension:

176.5 x 140 x 138 mm (6.9 x 5.5 x 5.4 in)

Material:

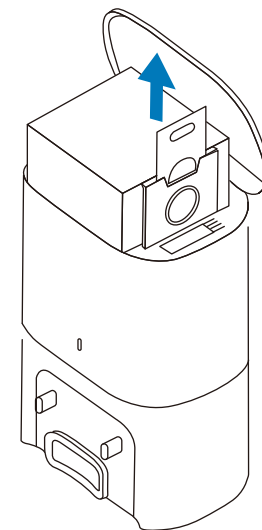
Dust Bag: Spunbond, melt blown electret nonwoven
Dust Bag Handle: Kraft paperboard

Replacement Frequency:

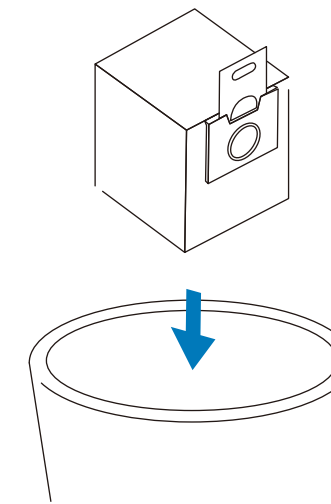
Up to 2 months (or just replace it when it is full)

Replacement Instructions

1. Open the top cover and pull up the handle of the dust bag to remove.

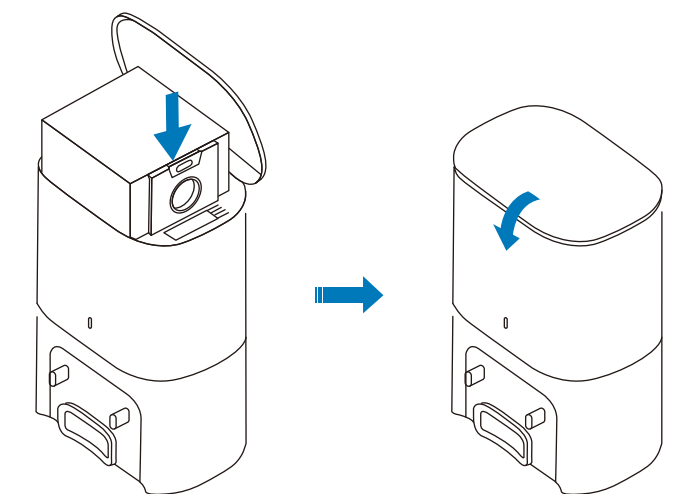


2. Throw away the used dust bag.



3. Install a new dust bag and replace the cover.

⚠ Put the cover back on each time you open it, especially before auto-emptying.



Tapo RVA301



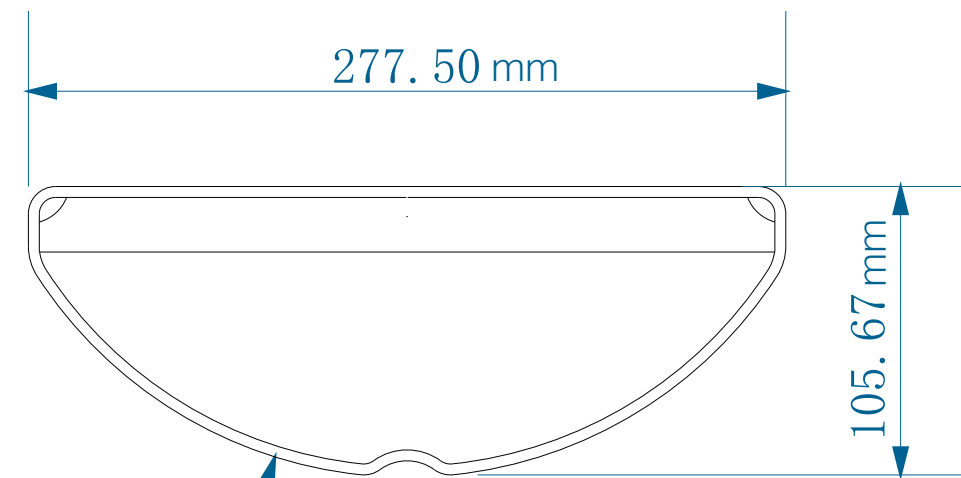
Washable Mop Cloth ×5

Compatible Models:

Tapo RV30 Max Plus
Tapo RV30 Max
Tapo RV20 Max Plus
Tapo RV20 Max

Washable Mop Cloth

Dimension:



R161.50

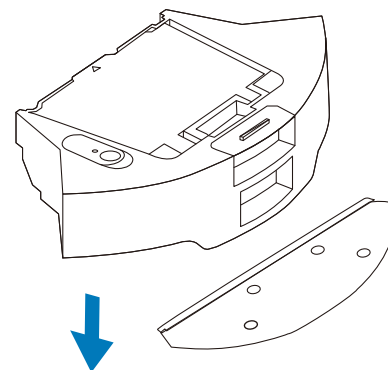
Material: 85% polyester + 15% cotton

Maintenance Frequency: Wash after each use

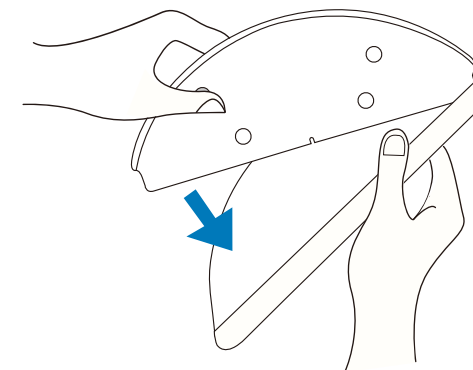
Replacement Frequency: 2 - 3 months

Replacement Instructions

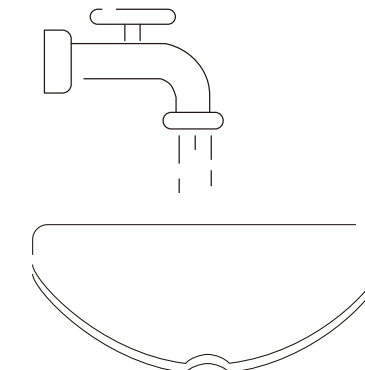
1. Remove the mop cloth mount.



2. Remove the washable mop cloth.



3. Clean the mop cloth.



4. Sun dry for use.

