

# NanoBracket® Universal

MOUNTING BRACKET FOR UBNT NanoStation™ AND OTHER CPEs

NanoBracket® Universal is a mounting bracket with integrated positioning system designed for the installation of Ubiquiti Networks™ NanoStation™ and other popular CPEs. NanoBracket® is originally designed and developed by RF elements.

NanoBracket® Universal is made of very durable UV resistant ABS plastic and allows easy and quick installation of the device on the either on wall or on the pole.



## TECHNICAL DATA

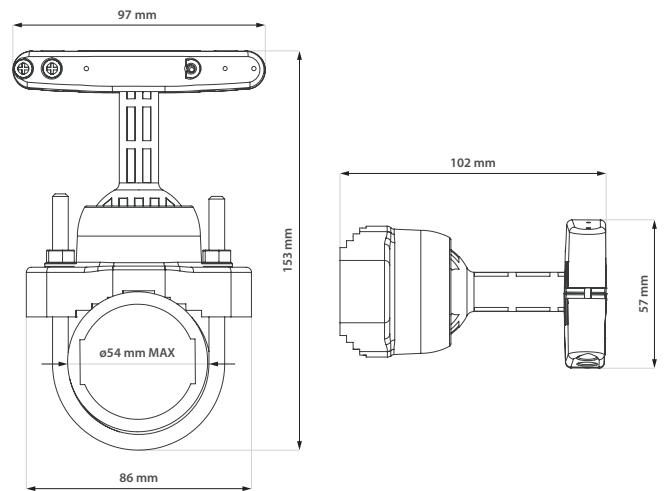
Materials	UV stabilized and weather resistant ABS plastic Hardware - Stainless Steel
Operating Temp.	-30 to +60 °C
Wind Survival	160 Km/h
Weight	0.23 Kg / 0.5 lbs – single piece incl. package 11.8 Kg / 26 lbs – carton (50 pcs)
Single Unit	Retail Package: 6 × 6 × 18.5 cm
50 Units	Carton Box: 39 × 33 × 31 cm

## COMPATIBLE WIRELESS PLATFORMS

Body A	
Ubiquiti Networks™	NanoStation™ M5 ,NanoStation™ M2, NanoStation™ 5, NanoStation™ 2
AirLive®	AirMax 5, AirMax 2
RF elements®	StationBox® Classic
Body B	
Ubiquiti Networks™	NanoStation™ 5 LOCO, NanoStation™ 2 LOCO, NanoStation™ M5 LOCO, NanoStation™ M2 LOCO, NanoStation™ M900 LOCO
RF elements®	StationBox® Mikro

## PRODUCT DIMENSIONS

Version with Body A



## PACKAGE CONTENTS

Body A	U-Bolt	Base	Screws	Saddles
Body B	Ball Hinge	Holder	Nuts	Wall Plugs

