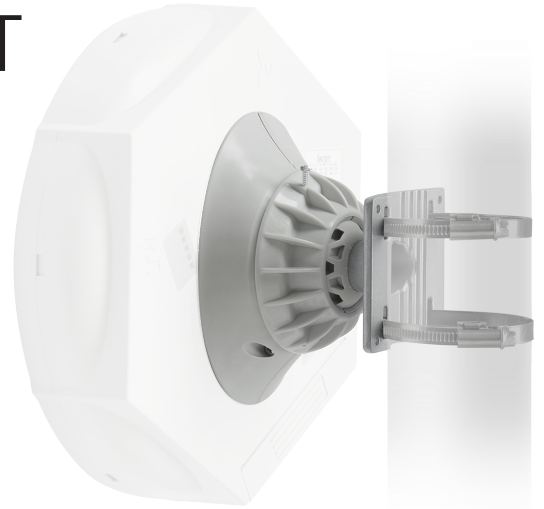


NanoBracket® SEXTANT

BRACKET FOR RouterBoard™ SEXTANT

NanoBracket® SEXTANT is designed for simple, fast & easy installation of RouterBoard™ SEXTANT on the pole or on the wall. Improved NanoBracket® offers 3-Axis Positioning System of 2nd Generation, enabling adjustment of the antenna in azimuth, elevation and rotation in one simple step.

NanoBracket® SEXTANT is made of die cast aluminium and high quality ABS plastic. All screws are made of Stainless Steel.



TECHNICAL DATA

Materials	UV stabilized and weather resistant ABS plastic Screws - Stainless Steel
Operating Temp.	-30 to +60 °C
Wind Survival	160 Km/h
Weight	0.49 Kg / 1.08 lbs – single piece incl. package 13 Kg / 28.7 lbs – carton (25 pcs)
Single Unit	Retail Package: 11 × 16,3 × 9,4 cm
25 Units	Carton Box: 57 × 50 × 18 cm

COMPATIBLE WIRELESS PLATFORMS

MikroTik™	RouterBoard™ SEXTANT 5HnD RouterBoard™ SEXTANT G-5HnD
-----------	--

PACKAGE CONTENTS

Side panel - 2 pieces
Hinge
Base
4x Screw and Wall Plug
2x Screw M3,9 x 22mm
1x Safety screw M2,9 x 19mm
Rubber Insert

PRODUCT DIMENSIONS

