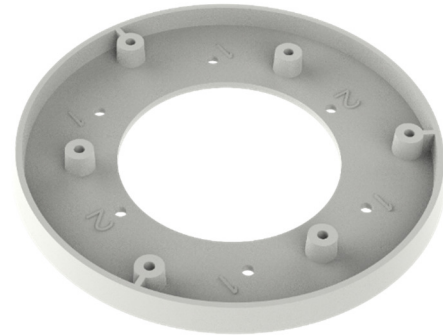


D20-AP RCM-1 Adapter Plate

Hikvision's D20-AP RCM-1 Adapter Plate modifies an RCM-1 In-Ceiling Dome Camera Mounting Bracket so that it can be used with specific cameras.

Available Model

D20-AP



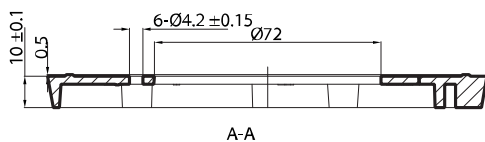
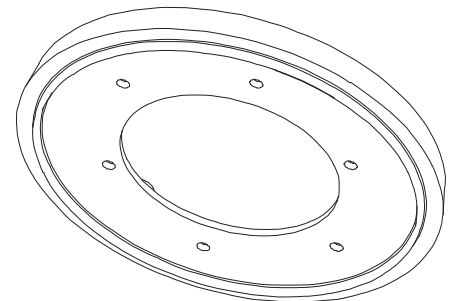
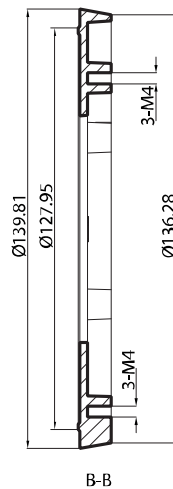
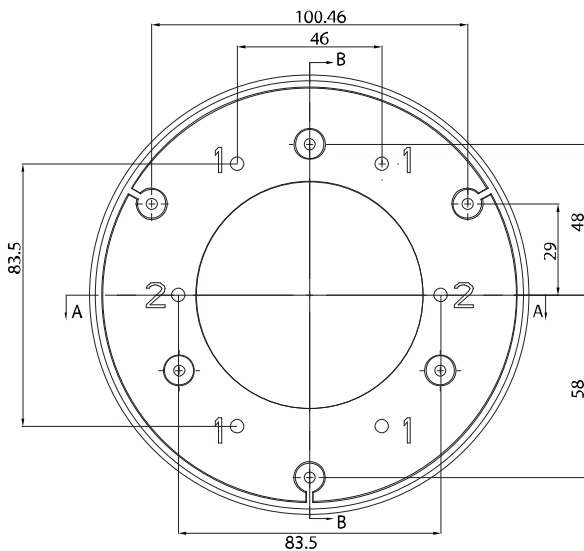
Supported Cameras¹

DS-2CD27X2F(WD)-IZS
ECI-D62Z2
ECI-D64Z2

Specifications

D20-AP	
Material	Alloy
Color	Hikvision white
Weight	3.81 oz (108 g)

Dimensions



Weight: 108 g

¹ Additional cameras may be supported in the future.