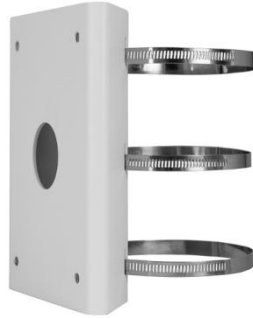


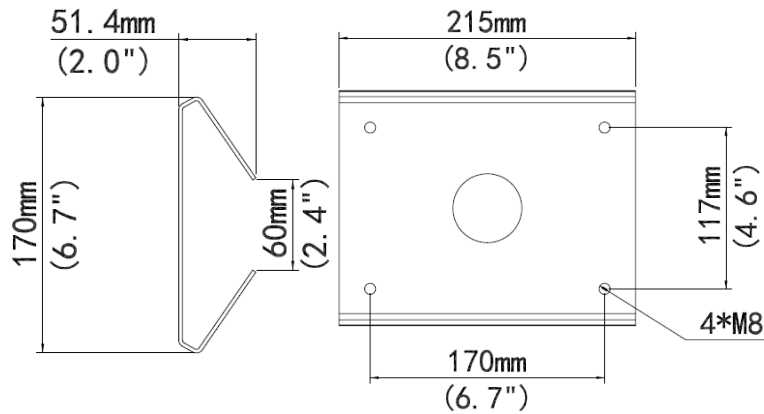
TR-UP08-A-IN Pole Mount Adapter



Specifications

Bracket	TR-UP08-A-IN
Application	Indoor or outdoor, pole installation for PTZ dome camera
Dimensions(L × W × H)	215mmx170mmx52mm (4.7"x4.7"x2.1")
Weight	1.47kg(3.2lb)
Material	Steel

Dimensions



Zhejiang Uniview Technologies Co.,Ltd.

South Tower, Building 10, Wanlun Science Park, 88 Jiangling Road, Hangzhou, P.R.China 310051

Email: overseasbusiness@uniview.com; globalsupport@uniview.com

<http://www.uniview.com>

©2015-2018 Zhejiang Uniview Technologies Co.,Ltd. All rights reserved.

*Product specifications and availability are subject to change without notice.