

# KIT/NVR301-04LS2-W/4\*IPC2124LR3-F40W-D



## Key Features

### NVR301-04LS2-W

- Embedded WiFi Module with high-performance and high stability
- Support CCMP encryption and WPA2-PSK authentication, Support IP cameras with WiFi in access
- Support Ultra 265/H.265/H.264 video formats
- 4-channel input
- Third-party IP cameras supported with ONVIF conformance: Profile S, Profile G, Profile T
- Support 1-ch HDMI, 1-ch VGA
- HDMI and VGA synchronous outputs provided
- Up to 5MP resolution recording
- 1 SATA HDD, Up to 10TB for each HDD
- Support cloud upgrade

### IPC2124LR3-F40W-D

- Day/night functionality
- Smart IR , up to 30 m (98 ft) IR distance

- Optical glass window with higher light transmittance
- IR anti-reflection window to increase the infrared transmittance
- 2D/3D DNR (Digital Noise Reduction)
- Ultra 265,H.265, H.264, MJPEG
- Triple streams
- ONVIF Conformance
- Wide temperature range:-30°C ~ +60°C (-22°F ~ 140°F)
- Wide voltage range of ±25%
- IP67

## Specifications

<b>Model</b>	<b>NVR301-04LS2-W</b>
<b>Video/Audio Input</b>	
IP Video Input	4-ch
<b>Network</b>	
Incoming Bandwidth	40Mbps
Outgoing Bandwidth	40Mbps
Remote Users	128
Protocols	P2P, UPnP, NTP, DHCP, PPPoE
<b>Video/Audio Output</b>	
HDMI/VGA Output	HDMI: 1920x1080p /60Hz, 1920x1080p /50Hz, 1600x1200 /60Hz, 1280x1024 /60Hz, 1280x720 /60Hz, 1024x768 /60Hz VGA: 1920x1080p /60Hz, 1920x1080p /50Hz, 1600x1200 /60Hz, 1280x1024 /60Hz, 1280x720 /60Hz, 1024x768 /60Hz
Recording Resolution	5MP/4MP/3MP/1080p/960p/720p/D1/2CIF/CIF
Audio Output	1-ch, RCA
Synchronous Playback	4-ch
Corridor Mode Screen	3/4
<b>Decoding</b>	
Decoding format	Ultra 265/H.265/H.264
Live view/ Playback	5MP/4MP/3MP/1080p/960p/720p/D1/2CIF/CIF
Capability	1 x 5MP@30, 2 x 4MP@25, 2 x 3MP@30,4 x 1080P@25, 8 x 960P@25, 8 x 720P@30
<b>Hard Disk</b>	
SATA	1 SATA interface
Capacity	Up to 10TB for each HDD
<b>External Interface</b>	
Network Interface	1 RJ45 10M/100M self-adaptive Ethernet Interface
USB Interface	Rear panel: 2 x USB2.0

**Wi-Fi**

Frequency	2.4GHz
Transmission Rate	150Mbps
Wireless Standards	IEEE 802.11b/g/n
Wireless Range	280m(open environment)

**General**

Power Supply	12V DC Power Consumption: ≤ 9 W( without HDD )
Working Environment	-10°C ~ + 55°C ( +14°F ~ +131°F ), Humidity ≤ 90% RH(non-condensing)
Dimensions(W×D×H)	205mm × 205mm × 46mm (8.1" ×8.1"×1.8")
Weight ( without HDD )	≤ 0.58Kg(1.28lb)

**Model** **IPC2124LR3-F40W-D**

Sensor	1/2.7", 4.0 megapixel, progressive scan, CMOS				
Lens	4.0mm@F2.0				
DORI Distance	Lens	Detect(m)	Observe(m)	Recognize(m)	Identify(m)
	4mm	80	32	16	8
Angle of view(H)	86.5°				
Angle of View (V)	44.1°				
Angle of View (O)	106.4°				
Shutter	Auto/Manual, 1~1/100000 s				
Minimum Illumination	Colour: 0.02 Lux (F2.0 AGC ON) 0 Lux with IR on				
Day/Night	IR-cut filter with auto switch (ICR)				
Digital noise reduction	2D/3D DNR				
S/N	>52dB				
IR Range	Up to 30m (98 ft) IR range				
Defog	Digital Defog				
WDR	DWDR				

**Video**

Video Compression	Ultra 265, H.265, H.264, MJPEG
H.264 code profile	Baseline profile, Main Profile
Frame Rate	Main Stream: 4MP (2560×1440): Max. 15 fps; 2MP (1920×1080): Max. 15 fps; Sub Stream: 720P (1280×720): Max. 15 fps; Third Stream: 4CIF (704×576): Max. 15 fps
HLC	Supported
BLC	Supported
OSD	Up to 4 OSDs
Privacy Mask	Up to 4 areas
ROI	Up to 2 areas
Motion Detection	Up to 4 areas

**Storage**

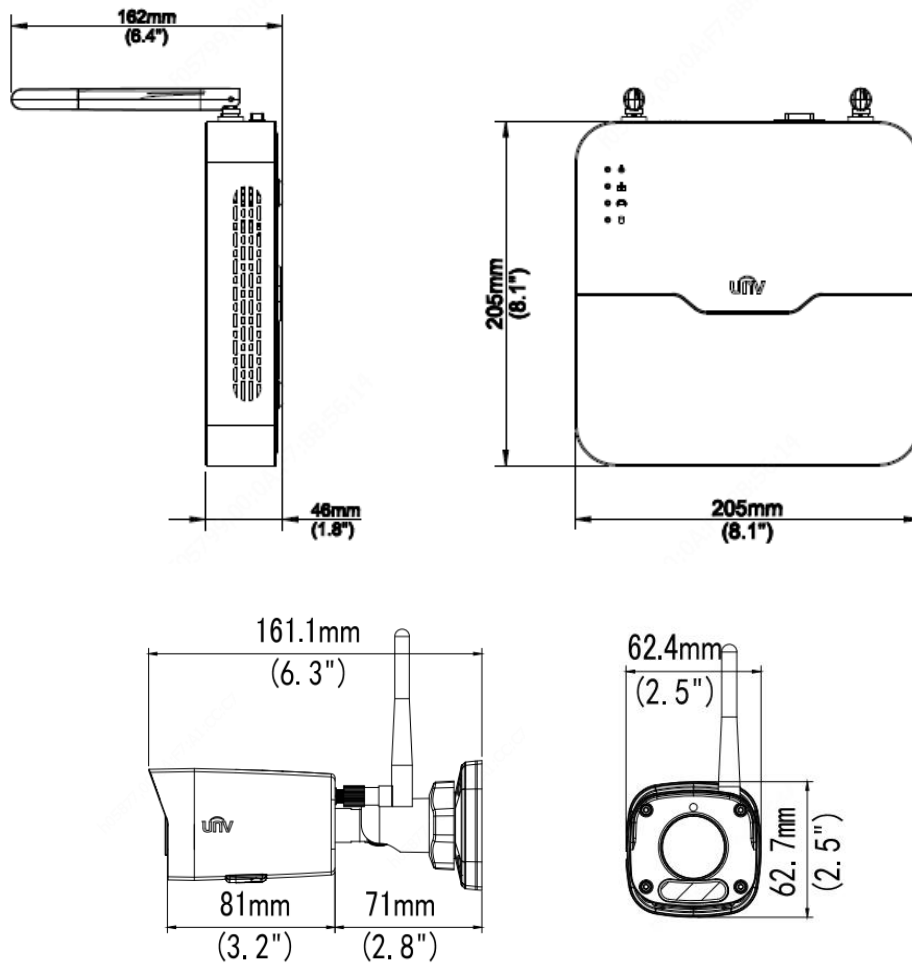
Edge Storage	Micro SD, up to 256 GB
Network Storage	ANR

**Network**

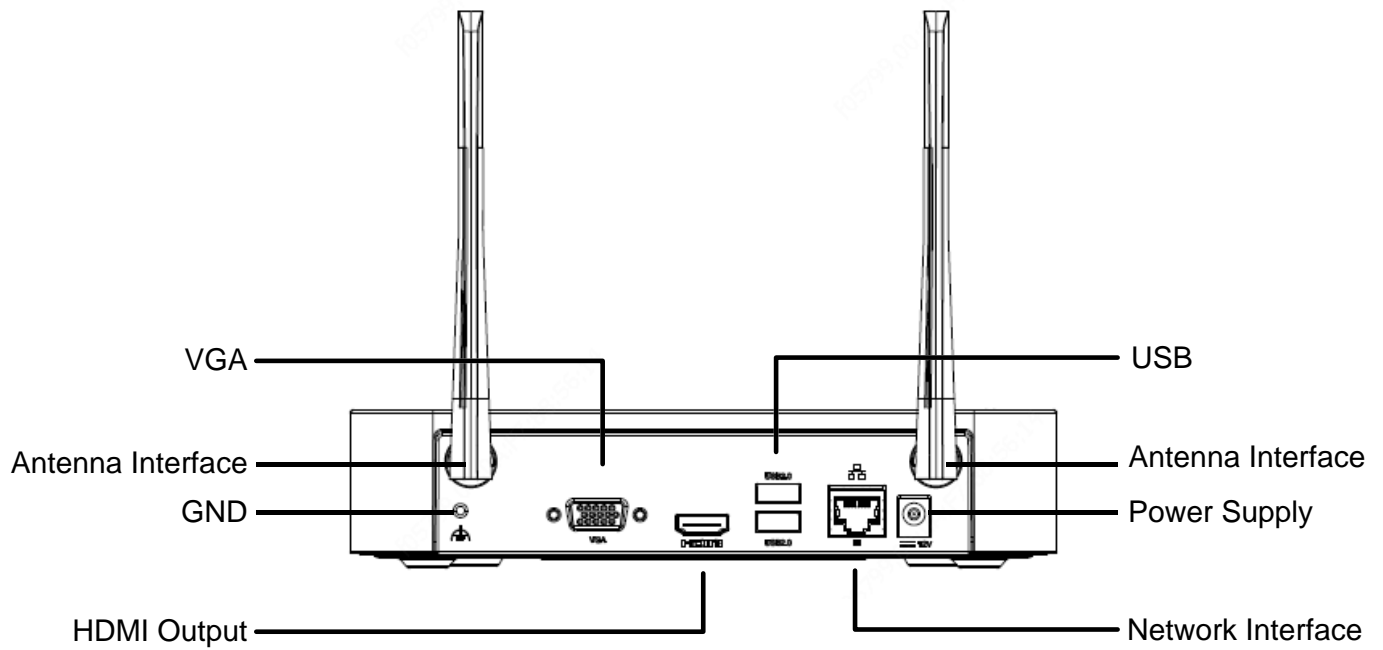
Protocols	IPv4, IGMP, ICMP, ARP, TCP, UDP, DHCP, RTP, RTSP, RTCP, DNS, DDNS, NTP, FTP, UPnP, HTTP, HTTPS,
-----------	---

	SMTP, QoS
Compatible Integration	ONVIF(Profile S, Profile G, Profile T), API
<b>Wi-Fi</b>	
Wireless Standards	IEEE802.11b/g/n
Frequency Range	2.4 GHz ~ 2.4835 GHz
Channel Bandwidth	20 MHz Support
Modulation Mode	802.11b: CCK, QPSK, BPSK 802.11g/n: OFDM/HT
Security	64/128-bit WEP, WPA-PSK/WPA2-PSK
Transmit Power	802.11b: 17±1.5dBm @11Mbps 802.11g: 14±1.5dBm @ 54Mbps 802.11n: 12.5±1.5dBm @150Mbps
Receive Sensitivity	802.11b: -90dBm @11Mbps (Typical) 802.11g: -75dBm @54Mbps (Typical) 802.11n: -74dBm @150Mbps (Typical)
Transmission Rate	802.11b: 11Mbps 802.11g: 54Mbps 802.11n: up to 150Mbps
<b>Interface</b>	
Network	1 RJ45 10M/100M Base-TX Ethernet
<b>General</b>	
Power	DC 12V±25%
	Power consumption: Max 4 W
Dimensions (L × W × H)	161.1 × 62.4 × 62.7 mm (6.3" × 2.5" × 2.5")
Weight	0.25 kg (0.55 lb)
Working Environment	-30°C ~ +60°C (-22°F ~ 140°F), Humidity: ≤95% RH(non-condensing)
Ingress Protection	IP67
Reset Button	Supported
Indicator Light	Supported

## Dimensions



## Rear Panel



**Zhejiang Uniview Technologies Co., Ltd.**

Building No.10, Wanlun Science Park, Jiangling Road 88, Binjiang District, Hangzhou, Zhejiang, China

Email: [overseasbusiness@uniview.com](mailto:overseasbusiness@uniview.com); [globalsupport@uniview.com](mailto:globalsupport@uniview.com)

<http://www.uniview.com>

©2019-2020 Zhejiang Uniview Technologies Co., Ltd. All rights reserved.

\* Product specifications and availability are subject to change without notice.