

# 4MP WDR (Motorized) VF Vandal-resistant Network IR Fixed Dome Camera

IPC3234SR3-DVZ28



## Key Features

### Optics

- Day/night functionality
- Smart IR, up to 30m (98 ft) IR distance
- Up to 120 dB Optical WDR (Wide Dynamic Range)
- Lowlight surveillance
- 2D/3D DNR (Digital Noise Reduction)
- Built-in motorized lens for remote zoom

### Compression

- Ultra 265, H.265, H.264, MJPEG
- Embedded smart algorithm
- Triple streams
- ROI (Region of Interest)
- 9:16 corridor mode

### Network

- ONVIF Conformance

## Structure

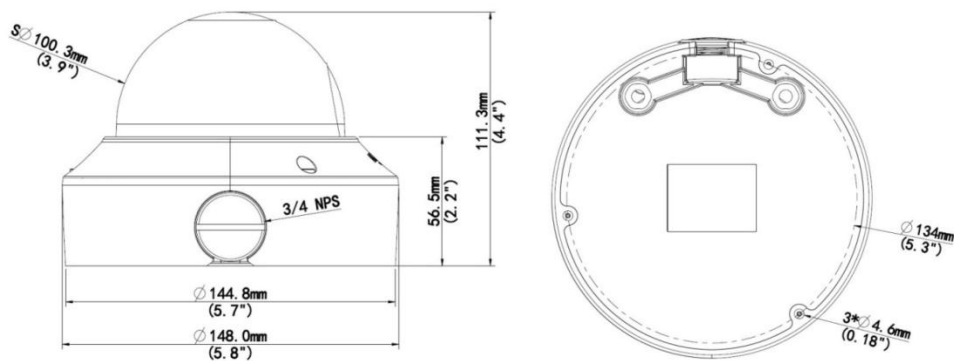
- Support PoE power supply
- Built-in PoE splitter that outputs DC 12V
- Wide temperature range: -40°C to 60°C (-40°F to 140°F)
- Wide voltage range of ±25%
- IK10 vandal resistant
- IP67

## Specifications

| IPC3234SR3-DVZ28           |  |
|----------------------------|--|
| <b>Camera</b>              |  |
| Sensor                     | 1/3", progressive scan, 4.0 megapixel, CMOS  |
| Lens                       | 2.8~12 mm, AF automatic focusing and motorized zoom lens   |
| Angle of View (H)          | 91.0° (wide) ~27.0° (tele)   |
| Shutter                    | Auto/Manual, 1/6~1/100000 s  |
| Minimum Illumination       | Colour: 0.02 Lux (F1.4, AGC ON)<br>0 Lux with IR   |
| Day/Night                  | IR-cut filter with auto switch (ICR)   |
| Digital noise reduction    | 2D/3D DNR  |
| S/N                        | >55 dB   |
| IR Range                   | Up to 30m (98 ft) IR range   |
| Defog                      | Digital Defog  |
| WDR                        | 120dB  |
| <b>Video</b>               |  |
| Video Compression          | Ultra 265,H.265, H.264,MJPEG   |
| H.264 code profile         | Baseline profile, Main Profile, High Profile   |
| Frame Rate                 | Main Stream:4MP (2592×1520): Max. 20 fps, 4MP (2560×1440): Max. 25 fps, 3MP (2048×1520): Max. 30 fps;<br>Sub Stream:2MP (1920×1080): Max. 30 fps;<br>Third Stream:D1(720×576) : Max. 30fps |
| HLC                        | Supported  |
| BLC                        | Supported  |
| 9:16 Corridor Mode         | Supported  |
| OSD                        | Up to 8 OSDs   |
| Privacy Mask               | Up to 8 areas  |
| ROI                        | Up to 8 areas  |
| Motion Detection           | Up to 4 areas  |
| <b>Smart</b>               |  |
| Behavior Detection         | Intrusion, cross line, motion detection  |
| Exception Detection        | Audio detection  |
| Intelligent Identification | Face detection, Defocus, Scene Change  |
| Statistical Analysis       | People counting  |

|                          |  |
|--------------------------|--|
| General Function         | Watermark, IP Address Filtering, Tampering Alarm, Alarm input, Alarm output, Access Policy, ARP Protection, RTSP Authentication, User Authentication |
| <b>Audio</b>             |  |
| Audio Compression        | G.711  |
| Two-way audio            | Supported  |
| Suppression              | Supported  |
| Sampling Rate            | 8 KHZ  |
| <b>Storage</b>           |  |
| Edge Storage             | Micro SD, up to 128 GB   |
| Network Storage          | ANR  |
| <b>Network</b>           |  |
| Protocols                | IPv4, IGMP, ICMP, ARP, TCP, UDP, DHCP, PPPoE, RTP, RTSP, RTCP, DNS, DDNS, NTP, FTP, UPnP, HTTP, HTTPS, SMTP, 802.1x, SNMP                            |
| Compatible Integration   | ONVIF(Profile S, Profile G), API   |
| <b>Interface</b>         |  |
| Audio I/O                | Audio cable  |
|                          | Input: impedance 35 k $\Omega$ ; amplitude 2 V [p-p]   |
|                          | Output: impedance 600 $\Omega$ ; amplitude 2 V [p-p]   |
| Alarm I/O                | 1/ 1   |
| Network                  | 1 RJ45 10M/100M Base-TX Ethernet   |
| Video Output             | 1 BNC, impedance 75 $\Omega$ ; amplitude 1 V [p-p]   |
| <b>General</b>           |  |
| Power                    | DC12V $\pm$ 25%, PoE (IEEE802.3 af)  |
|                          | Power consumption: Max 7.2 W   |
| Dimensions ( $\Phi$ x H) | $\Phi$ 148 x 111.3 mm ( $\Phi$ 5.8" x 4.4")  |
| Weight                   | 0.75 kg (1.7 lb)   |
| Working Environment      | -40°C ~ +60°C (-40°F ~ 140°F), Humidity:10%~ 95% RH(non-condensing)  |
| Ingress Protection       | IP67   |
| Vandal Resistant         | IK10   |
| Reset Button             | Supported  |

## Dimensions



## Accessories

| Installation mode | Accessories  | Description                     |
|-------------------|--|---------------------------------|
| Ceiling mount     | Mounting pedestal is included in the product package | For indoor ceiling installation |

### Zhejiang Uniview Technologies Co., Ltd.

Building No.10, Wanlun Science Park, Jiangling Road 88, Binjiang District, Hangzhou, Zhejiang, China (310051)

Email: [overseasbusiness@uniview.com](mailto:overseasbusiness@uniview.com); [globalsupport@uniview.com](mailto:globalsupport@uniview.com)

<http://www.uniview.com>

©2016-2017 Zhejiang Uniview Technologies Co., Ltd. All rights reserved.

\*Product specifications and availability are subject to change without notice.