

# Sunshade Shell for Fixed Dome

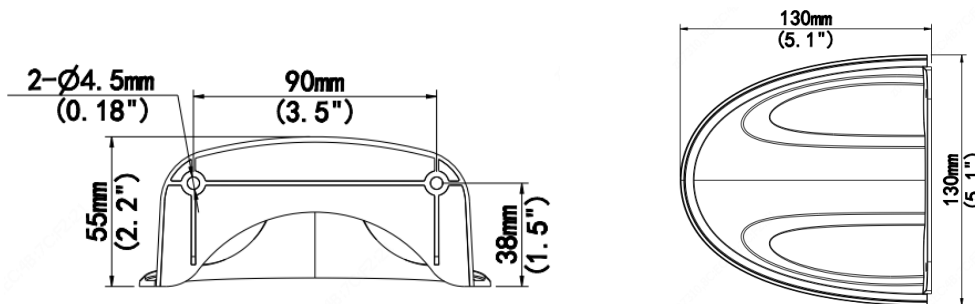
## HS-205S



### Specifications

Bracket	HS-205S
Application	wall installation for IPC32X series Fixed dome
Dimensions	130mmx130mmx55mm(5.1" x 5.1"x 2.2")
Weight	0.05kg(0.11lb)
Material	Plastic

### Dimension



**Zhejiang Uniview Technologies Co.,Ltd.**

South Tower, Building 10, Wanlun Science Park, 88 Jiangling Road, Hangzhou, P.R.China 310051

Email: [overseasbusiness@uniview.com](mailto:overseasbusiness@uniview.com); [globalsupport@uniview.com](mailto:globalsupport@uniview.com)

<http://www.uniview.com>

©2015 Zhejiang Uniview Technologies Co.,Ltd. All rights reserved.

\*Product specifications and availability are subject to change without notice.