

Array Sector 2-17

SECTOR ANTENNA WITH CARRIER CLASS PERFORMANCE

RF elements® Array Sector antennas are optimized for high performance in unlicensed frequency bands. They offer excellent RF performance, colocation capability, easy installation, and cost-efficiency.

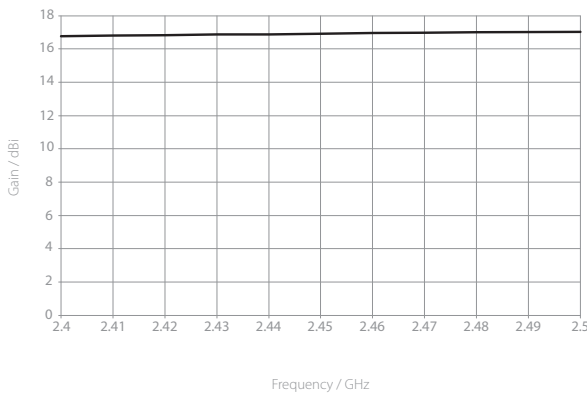
The side lobes of Array Sector antennas are suppressed using BackShield™, our patented, frequency selective surface attenuating azimuth side lobes and back lobe, integrated into the antenna body.

The gain of Array Sector 2-17 is stable in both, horizontal and vertical polarizations, offering reliable performance regardless of which channel you use. The antenna is light and made of high-quality non-corrosive materials for long-lasting performance.

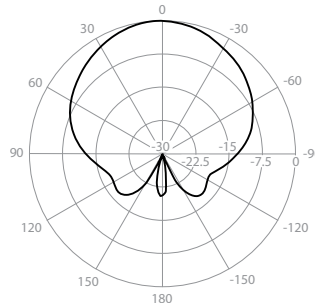


2.4 GHz 17 dBi

Gain H

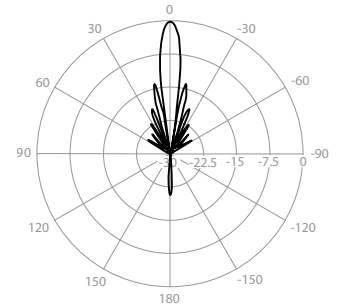


Azimuth Pattern H



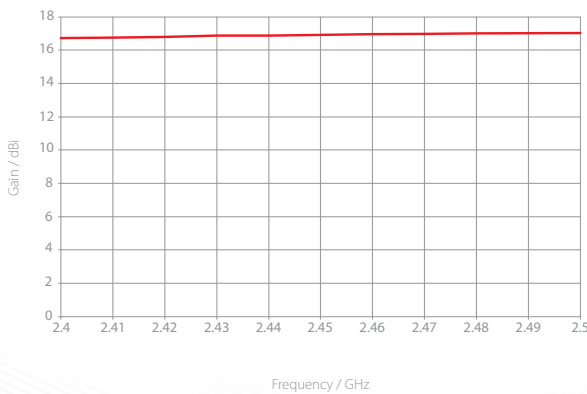
H - Port Pattern Azimuth 2.44 GHz

Elevation Pattern H

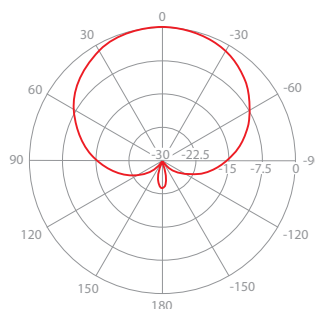


H - Port Pattern Elevation 2.44 GHz

Gain V

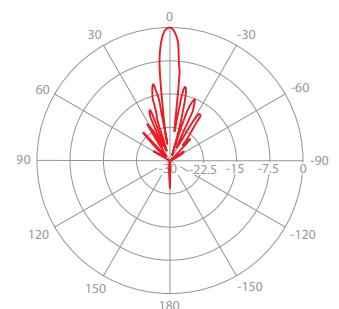


Azimuth Pattern V



V - Port Pattern Azimuth 2.44 GHz

Elevation Pattern V



V - Port Pattern Elevation 2.44 GHz

PHYSICAL

Antenna Connection	2x RP-SMA on integrated semi-flex pigtails
Antenna Type	Patch Array Sector
Materials	UV Resistant ABS Plastic, Aluminium Alloy, Stainless Steel
Environmental	IP55
Temperature	-35°C to +60°C (-31°F to +140°F)
Wind Survival	160 km/h (100 mi/h)
Wind Load	217/65 N - Front/Side at 160 km/h (100 mi/h)
Effective Projected Area	1782/533 cm ² - Front/Side (276.2/82.6 inch ²)
Electrical Downtilt	0°
Pole Mounting Diameter	40-80 mm (1.5-3.1 inch) Recommend as close to 80 mm (3.1 inch) as possible
Weight	3.9 kg (8.5 lbs) – single unit 4.2 kg (9.2 lbs) – single unit incl. package
Single Unit	Retail Box: 834 x 167 x 130 mm (32.8 x 6.5 x 5.1 inch)

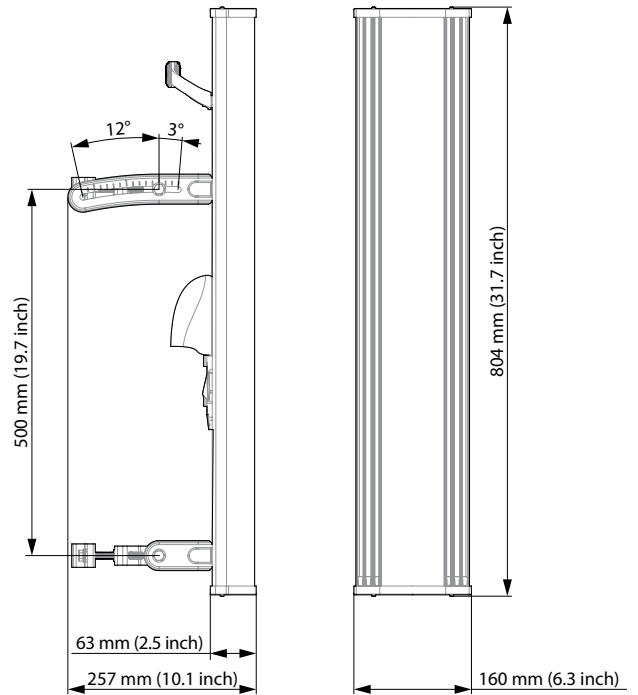
PERFORMANCE

Frequency Range	2400 - 2484 MHz
Gain	17 dBi
Polarization	Dual Linear H + V
Azimuth Beam Width -3 dB	H 71° / V 78°
Elevation Beam Width -3 dB	H 8° / V 8°
Azimuth Beam Width -6 dB	H 115° / V 109°
Elevation Beam Width -6 dB	H 10° / V 10°
Front-to-Back Ratio (Min)	21 dB
Beam Efficiency*	87 %
Cross Pol Isolation	H 30 dB / V 30 dB
Impedance	50 Ohm
VSWR Max	1.6
VSWR Typical	1.4
Isolation Between Ports	30 dB

COMPATIBLE WIRELESS PLATFORMS

RF elements®	StationBox® S, StationBox® S CARRIER CLASS, RockShield™
Cambium Networks™	ePMP™ 1000AP and CSM*1
MikroTik™	BaseBox*2, NetBox*2, NetMetal*2
Ubiquiti Networks™	Rocket™ M2, Rocket™ 2AC Prism
TP-Link	Pharos WBS210

PRODUCT DIMENSIONS



*main beam defined up to first null
*1 with EasyBracket™ for ePMP™
*2 with EasyBracket™ 912