



One port DC Input Boost PoE Injector

MAXPIDIN30

Product Overview

MAXPIDIN30 is a single-port, industrial-scale, boost PoE injector. It provides 55Vdc, 0.55A power for remote PDs over 2-pairs output with 6KV (10/700us) surge protection. It supports 10/100/1000 of data speed. It works for 30W PoE PDs, such as wireless access points, network cameras, VoIP phones and other high power Ethernet terminals. It is also compatible and safe to use with any IEEE802.3af/at compliant terminals.

MAXPIDIN30 is designed for indoor use. It works with input voltage of 12-48Vdc and operates under -40 °C to 65 °C. It has detection chip inside, which will detect and classify PD before powering it. It will not apply power until a standard-compliant PD is detected. The effective distance is 100m over Cat5e/Cat6 cables.

This model equipped standard DIN rail mounting bracket, which can easily jam into the guide rail.

Product Profile

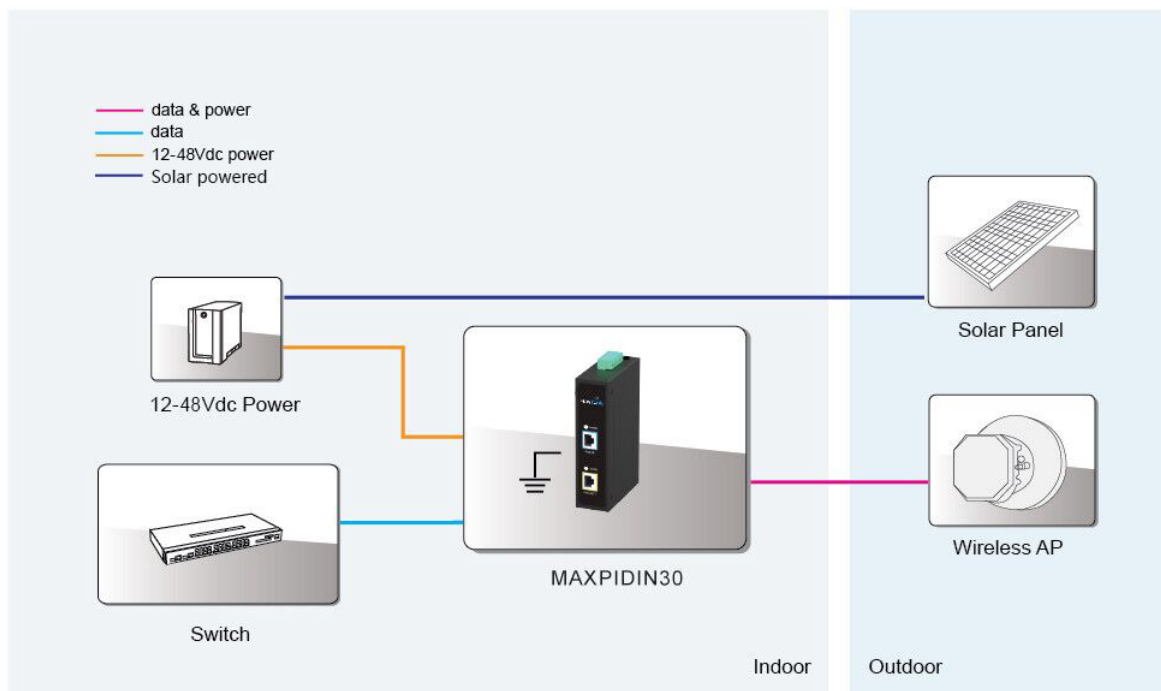


1. DC input indicator
2. LAN input port
3. PoE output port
4. PoE load indicator



5. DC Input Port
6. DIN Rail Mounting Bracket
7. Earth

Product Working Diagram



Specification

Standard

- IEEE802.3 10Base-T Ethernet
- IEEE802.3u 100Base-Tx Fast Ethernet
- IEEE802.3ab 1000Base-T Gigabit Ethernet
- Full compliant with IEEE802.3af/at
- RoHS Compliance
- WEEE Compliance

Input & Output

- Input :12-48Vdc 4A
- Output: 55Vdc 550mA
- Power Pins: 4/5(+), 7/8(-)
- Data Speed: 10/100/1000Mbps

Working Environment

- Operating Temperature: -40°C to 65°C
- Operating Humidity: 20% to 80%, non-condensation
- Storage Temperature: -40°C to 85°C
- Storage Humidity: 10% to 90%, non-condensation
- Operating Altitude: up to 5000meters

PoE Surge Protection

- Protected line: 1,2,3,4,5,6,7,8
- Common mode surge protection(10/700us): 6KV
- Differential mode surge protection (10/700us): 1.5KV

Mechanical Characteristics

- Case: Metal
- Color: Black
- Mounting: DIN-rail
- IP Rated: IP40
- Size: 135mm X 95mm X 35.4mm
- Weight: 400g

EMI

- CE,FCC CFR47 Part 15, EN55024, EN55032

EMS

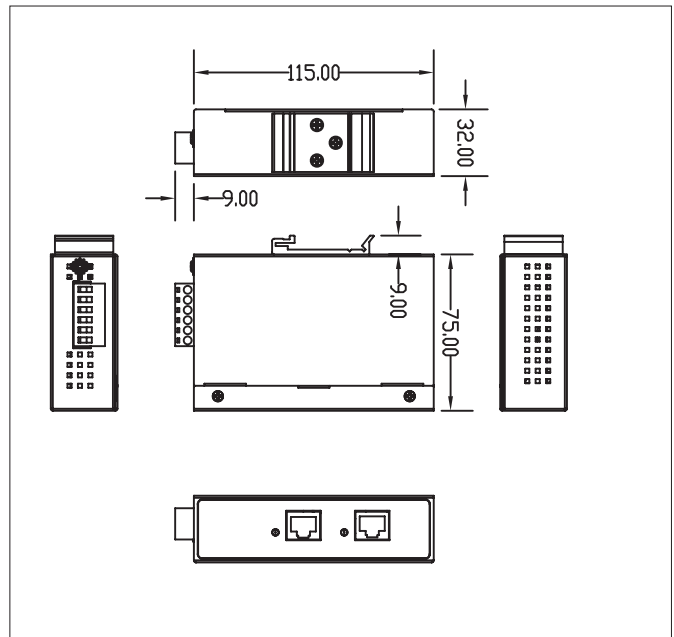
- IEC61000-4-2(ESD) $\pm 6kV$ (contact), $\pm 8kV$ (air)
- IEC61000-4-3(RS) 10V/m(80MHz~2GHz)
- IEC61000-4-4(EFT) Power Port: $\pm 2kV$; Data Port: $\pm 1kV$
- IEC61000-4-5(Surge) Power Port: $\pm 1kV/DM$, $\pm 2kV/CM$
- IEC61000-4-6(CS) 10V(150kHz~80MHz)

Immunity

- IEC60068-2-6(Vibration)
- IEC60068-2-27(Impact)
- IEC60068-2-32(Free Fall)

LED Indicator

- Power Indicator : Green
- PoE Load Indicator : Yellow



Order Info. MAXPIDIN30

Boost/55Vdc/0.55A/1000Mbps/(4,5+,7,8-) /Surge Protection/Active

Packing

MAXPIDIN30
Ground lug Wire: 16AWG
Manual x 1