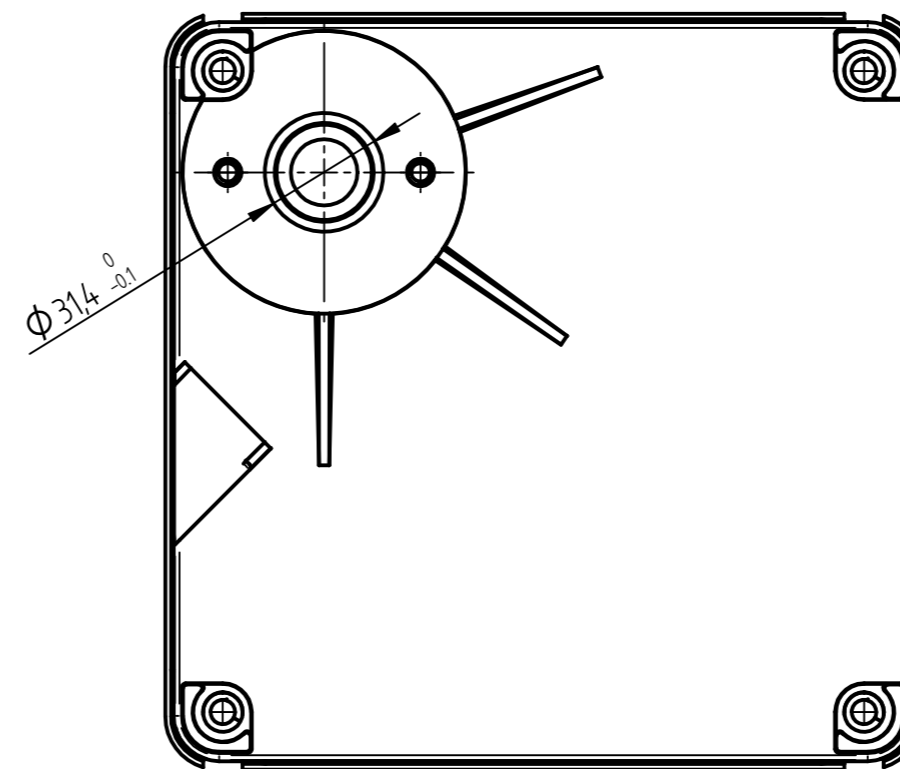
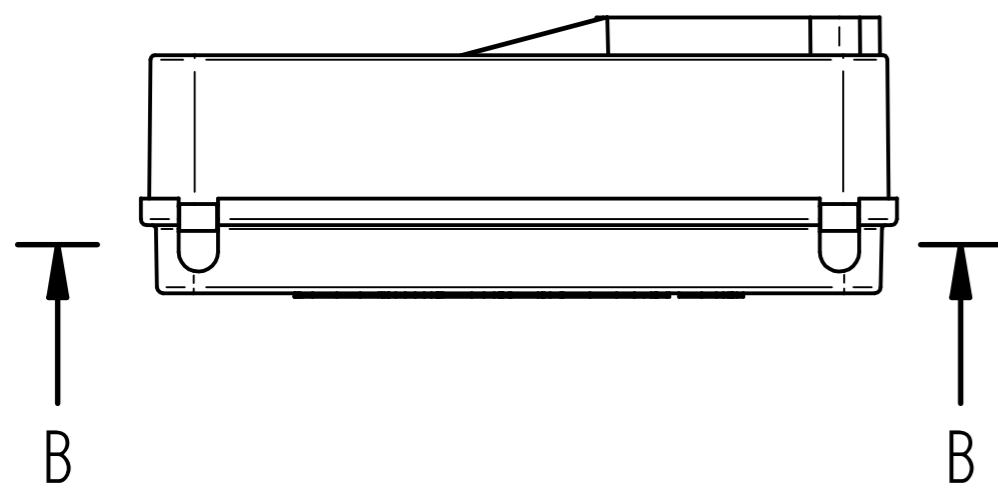
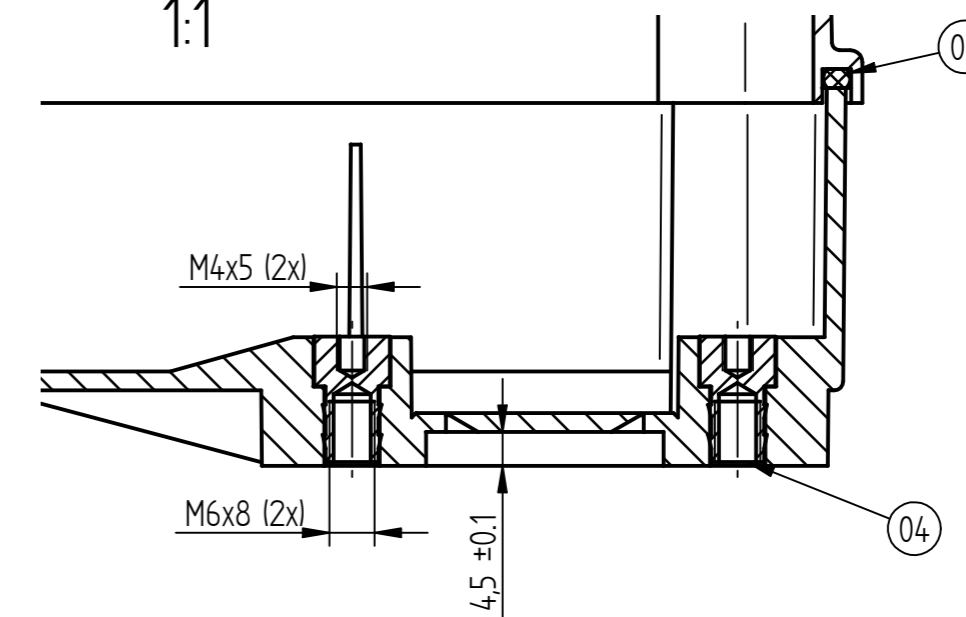


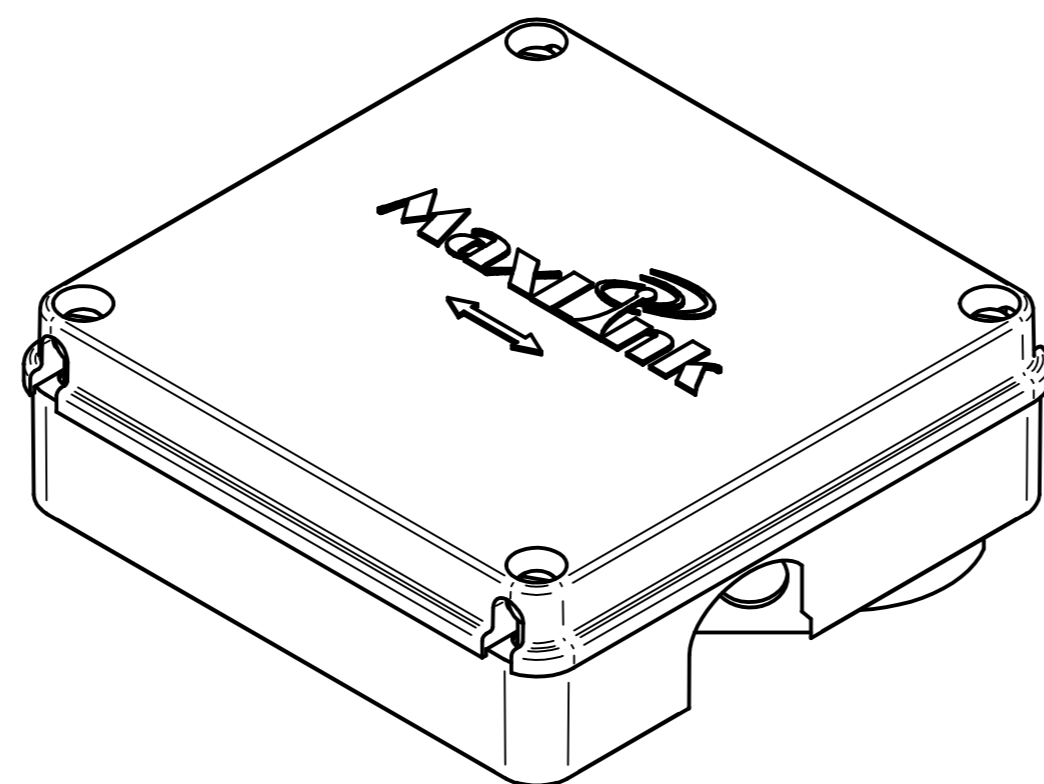
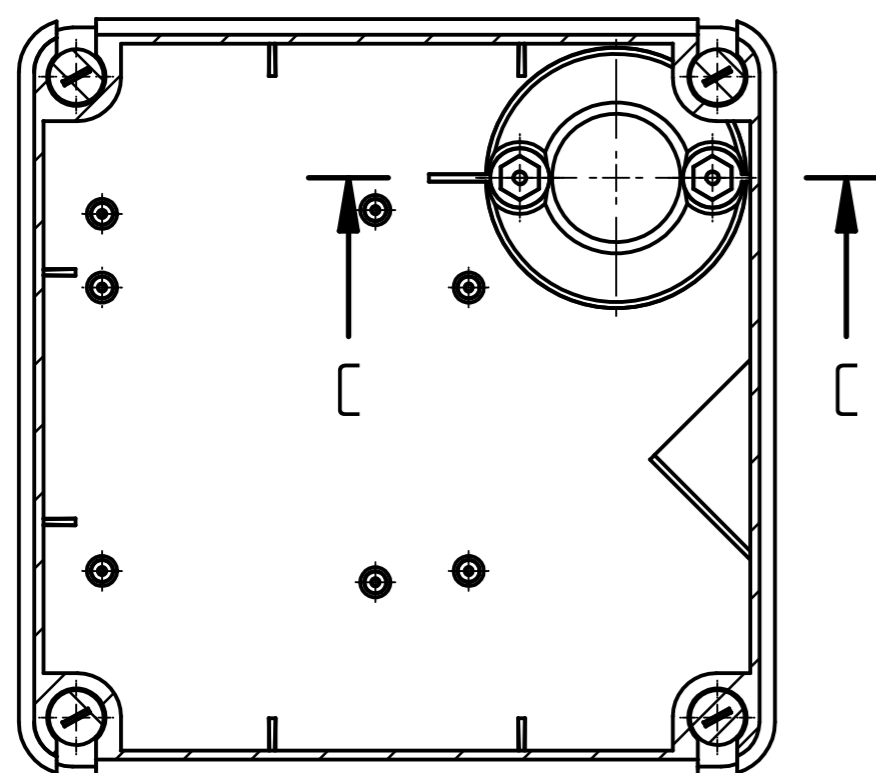
VIEW A



SECTION C-C
1:1



SECTION B-B



Item Number	Quantity	Name
01	1	Box Body
02	1	Box Cover
03	1	Dividing Plane Gasket
04	2	Press-in Nut M6/M4
05	4	Plastic Screw

Drawing Tolerances Unless Otherwise Specified				d)	Accuracy ISO 2768-H	Size	
Into 10	±1*			c)	Tolerance ISO 8015	Semi-product	Assembly
10 - 50	±0.30			b)	Projection E	Material	Weight
50 - 120	±0.20			a)		vacheX.eu DESIGN BUREAU Plastic Box	
120 - 400	±0.10	Date	Index	Signature	Name		
Over 400	±0.5	Scale	Note	Drawn	Checked		
3 - 6	±0.1	Ass. Drawing No	Manuf. discuss	Approved	Approved		
6 - 30	±0.2	Old Drawing	New Drawing	Date	11.9.2009	Type	Number of Sheets/Sheet
30 - 120	±0.3	Item List				Drawing No	
120 - 400	±0.5					71-001964	1 / 1
400 - 1000	±0.8						
1000 - 2000	±1.2						
2000 - 4000	±2.0						
Over 4000	±3.0						