



Quick Start Guide

EN

DE

ES

FR

IT

NL

PL

GR

CZ

SK

NO

SW

DK

FI

www.ezvizlife.com

COPYRIGHT © 2019 Hangzhou EZVIZ Software Co., Ltd.. ALL RIGHTS RESERVED.

Any and all information, including, among others, wordings, pictures, graphs are the properties of Hangzhou EZVIZ Software Co., Ltd. (hereinafter referred to as "EZVIZ"). This user manual (hereinafter referred to as "the Manual") cannot be reproduced, changed, translated, or distributed, partially or wholly, by any means, without the prior written permission of EZVIZ. Unless otherwise stipulated, EZVIZ does not make any warranties, guarantees or representations, express or implied, regarding to the Manual.

About this Manual

The Manual includes instructions for using and managing the product. Pictures, charts, images and all other information hereinafter are for description and explanation only. The information contained in the Manual is subject to change, without notice, due to firmware updates or other reasons. Please find the latest version in the

EZVIZ™ website (<http://www.evizlife.com>).

Revision Record

New release – January, 2019

Trademarks Acknowledgement

EZVIZ™, ™, and other EZVIZ's trademarks and logos are the properties of EZVIZ in various jurisdictions. Other trademarks and logos mentioned below are the properties of their respective owners.

Legal Disclaimer

TO THE MAXIMUM EXTENT PERMITTED BY APPLICABLE LAW, THE PRODUCT DESCRIBED, WITH ITS HARDWARE, SOFTWARE AND FIRMWARE, IS PROVIDED "AS IS", WITH ALL FAULTS AND ERRORS, AND EZVIZ MAKES NO WARRANTIES, EXPRESS OR IMPLIED, INCLUDING WITHOUT LIMITATION, MERCHANTABILITY, SATISFACTORY QUALITY, FITNESS FOR A PARTICULAR PURPOSE, AND NON-INFRINGEMENT OF THIRD PARTY. IN NO EVENT WILL EZVIZ, ITS DIRECTORS, OFFICERS, EMPLOYEES, OR AGENTS BE LIABLE TO YOU FOR ANY SPECIAL, CONSEQUENTIAL, INCIDENTAL, OR INDIRECT DAMAGES, INCLUDING, AMONG OTHERS, DAMAGES FOR LOSS OF BUSINESS PROFITS, BUSINESS INTERRUPTION, OR LOSS OF DATA OR DOCUMENTATION, IN CONNECTION WITH THE USE OF THIS PRODUCT, EVEN IF EZVIZ HAS BEEN ADVISED OF THE POSSIBILITY OF SUCH DAMAGES.

TO THE MAXIMUM EXTENT PERMITTED BY APPLICABLE LAW, IN NO EVENT SHALL EZVIZ'S TOTAL LIABILITY FOR ALL DAMAGES EXCEED THE ORIGINAL PURCHASE PRICE OF THE PRODUCT.

EZVIZ DOES NOT UNDERTAKE ANY LIABILITY FOR PERSONAL INJURY OR PROPERTY DAMAGE AS THE RESULT OF PRODUCT INTERRUPTION OR SERVICE TERMINATION CAUSED BY: A) IMPROPER INSTALLATION OR USAGE OTHER THAN AS REQUESTED; B) THE PROTECTION OF NATIONAL OR PUBLIC INTERESTS; C) FORCE MAJEURE; D) YOURSELF OR THE THIRD PARTY, INCLUDING WITHOUT LIMITATION, USING ANY THIRD PARTY'S PRODUCTS, SOFTWARE, APPLICATIONS, AND AMONG OTHERS.

REGARDING TO THE PRODUCT WITH INTERNET ACCESS, THE USE OF PRODUCT SHALL BE WHOLLY AT YOUR OWN RISKS. EZVIZ SHALL NOT TAKE ANY RESPONSIBILITIES FOR ABNORMAL OPERATION, PRIVACY LEAKAGE OR OTHER DAMAGES RESULTING FROM CYBER ATTACK, HACKER ATTACK, VIRUS INSPECTION, OR OTHER INTERNET SECURITY RISKS; HOWEVER, EZVIZ WILL PROVIDE TIMELY TECHNICAL SUPPORT IF REQUIRED.

SURVEILLANCE LAWS AND DATA PROTECTION LAWS VARY BY JURISDICTION. PLEASE CHECK ALL RELEVANT LAWS IN YOUR JURISDICTION BEFORE USING THIS PRODUCT IN ORDER TO ENSURE THAT YOUR USE CONFORMS TO THE APPLICABLE LAW. EZVIZ SHALL NOT BE LIABLE IN THE EVENT THAT THIS PRODUCT IS USED WITH ILLEGITIMATE PURPOSES.

IN THE EVENT OF ANY CONFLICTS BETWEEN THE ABOVE AND THE APPLICABLE LAW, THE LATTER PREVAILS.

Regulatory Information

FCC Information

This device complies with Part 15 of the FCC Rules. Operation is subject to the following two conditions:

- (1) This device may not cause harmful interference, and
- (2) This device must accept any interference received, including interference that may cause undesired operation.

Note: This product has been tested and found to comply with the limits for a Class B digital device, pursuant to Part 15 of the FCC Rules. These limits are designed to provide reasonable protection against harmful interference in a residential installation. This product generates, uses, and can radiate radio frequency energy and, if not installed and used in accordance with the instructions, may cause harmful interference to radio communications. However, there is no guarantee that interference will not occur in a particular installation. If this product does cause harmful interference to radio or television reception, which can be determined by turning the equipment off and on, the user is encouraged to try to correct the interference by one or more of the following measures:

- Reorient or relocate the receiving antenna.
- Increase the separation between the equipment and receiver.
- Connect the equipment into an outlet on a circuit different from that to which the receiver is connected.
- Consult the dealer or an experienced radio/TV technician for help.

Please take attention that changes or modification not expressly approved by the party responsible for compliance could void the user's authority to operate the equipment.

This equipment should be installed and operated with a minimum distance 20cm between the radiator and your body.

This device complies with Industry Canada licence-exempt RSS standard(s). Operation is subject to the following two conditions:

- (1) this device may not cause interference, and
- (2) this device must accept any interference, including interference that may cause undesired operation of the device.

Under Industry Canada regulations, this radio transmitter may only operate using an antenna of a type and maximum (or lesser) gain approved for the transmitter by Industry Canada. To reduce potential radio interference to other users, the antenna type and its gain should be so chosen that the equivalent isotropically radiated power (e.i.r.p.) is not more than that necessary for successful communication.



EU Conformity Statement

This product and - if applicable - the supplied accessories too are marked with "CE" and comply therefore with the applicable harmonized European standards listed under the Radio Equipment Directive 2014/53/EU, the EMC Directive 2014/30/EU, the RoHS Directive 2011/65/EU.



2012/19/EU (WEEE directive): Products marked with this symbol cannot be disposed of as unsorted municipal waste in the European Union. For proper recycling, return this product to your local supplier upon the purchase of equivalent new equipment, or dispose of it at designated collection points. For more information see: www.recyclethis.info.



2006/66/EC and its amendment 2013/56/EU (battery directive): This product contains a battery that cannot be disposed of as unsorted municipal waste in the European Union.



See the product documentation for specific battery information. The battery is marked with this symbol, which may include lettering to indicate cadmium (Cd), lead (Pb), or mercury (Hg). For proper recycling, return the battery to your supplier or to a designated collection point. For more information see: www.recyclethis.info.

Industry Canada ICES-003 Compliance

This device meets the CAN ICES-3 (B)/NMB-3(B) standards requirements.

EC DECLARATION OF CONFORMITY

Hereby, Hangzhou EZVIZ Software Co., Ltd . declares that the radio equipment type [CS-CMT-Solar Panel] is in compliance with Directive 2014/53/EU.

The full text of the EC DECLARATION OF CONFORMITY is available at the following web link:
<http://www.ezvizlife.com/declaration-of-conformity>.

Safety Instruction

Due to the product shape and dimension, the name and address of the importer/ manufacturer are printed on the package.

Customer Service

For more information, please visit www.ezvizlife.com

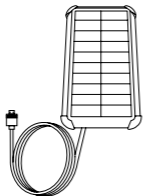
Need help? Contact us:

Telephone: +31 20 204 0128

Technical Inquires Email: support.eu@ezvizlife.com

SAVE THIS MANUAL FOR FUTURE REFERENCE

Box Content



Solar Panel (x1)



Screw Kit (x1)



Adjustable Mounting Bracket (x1)



Quick Start Guide (x1)



The solar panel appearance is subject to the actual one you have bought.

Installation

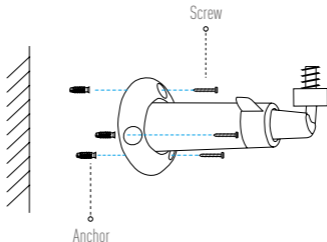
EN

You can install the solar panel on the wall or ceiling.

- i** CAUTION: As an alternative charging equipment, the power amount generated by this solar panel may be affected by its actual surrounding environment, mainly the intensity of sunlight and the time length of illumination. If the battery camera is running out of power soon, please bear it in mind that this solar panel alone cannot ensure the camera remains in working status.

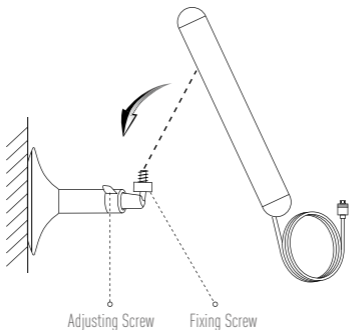
1 Install the bracket

- (For the cement wall/ceiling only) Drill screw holes, and insert three anchors.
- Use three screws to fix the bracket.



2 Install the Solar Panel

- Mount the solar panel on the bracket.
- Tighten the fixing screw.



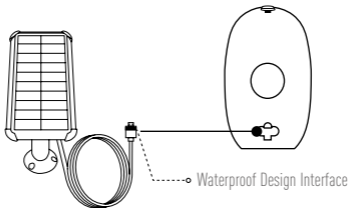
3 Adjust the Angle

- Loosen the adjusting screw.
- Adjust the solar panel angle as your desired place.
- Tighten the adjusting screw when you have the solar panel in the position you want.

i Make sure that the solar panel receives maximum solar radiation.

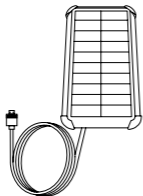
4 Charge the Battery Camera

- Connect it with battery camera.

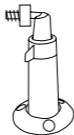


i For detailed information, please visit www.ezvizlife.com.

Packungsinhalt



1x Solarmodul



1x einstellbare Halterung



1x Schraubensatz



1x Kurzanleitung



Das Erscheinungsbild des Solarmoduls hängt von dem von Ihnen tatsächlich
gekauften Produkt ab.

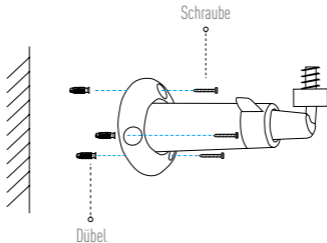
Installation

Sie können das Solarmodul an der Wand oder an der Decke installieren. **DE**

- i** VORSICHT: Bei einer alternativen Aufladevorrichtung wie diesem Solarmodul hängt die erzeugte Strommenge von ihrer tatsächlichen Umgebung ab, vor allem von der Intensität der Sonneneinstrahlung und der Beleuchtungsdauer. Beachten Sie bei fast entladenem Kameraakku, dass die Kamera nicht ausschließlich mit dem Solarpanel betrieben werden kann.

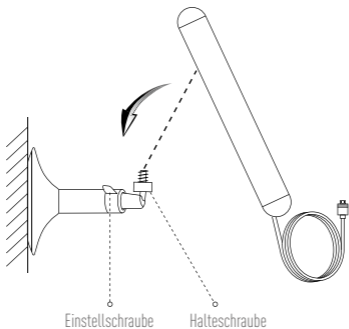
1 Montage der Halterung

- (Nur für gemauerte/gegossene Decken und Wände) Bohren Sie drei Löcher und setzen Sie die Dübel ein.
- Fixieren Sie die Halterung mit den drei Schrauben.



2 Montage des Solarmoduls

- Befestigen Sie das Solarmodul an der Halterung.
- Ziehen Sie die Halteschraube fest.



3 Einstellen des Winkels

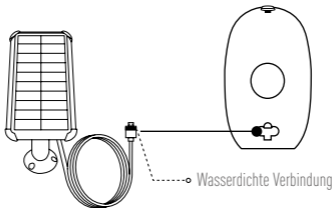
- Lösen Sie die Einstellschraube.
- Stellen Sie den Winkel des Solarmoduls auf die gewünschte Position ein.
- Ziehen Sie die Einstellschraube fest, sobald sich das Solarmodul in der gewünschten Position befindet.

i Stellen Sie sicher, dass das Solarpanel die maximale Sonneneinstrahlung erhält.

4 Kameraakku aufladen

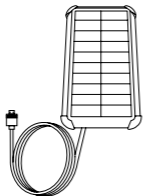
- Verbinden Sie das Solarmodul mit dem Kameraakku.

DE

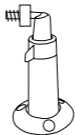


i Weitere Informationen erhalten Sie auf www.evizlife.com.

Contenido de la caja



Panel solar (x1)



Soporte de montaje ajustable (x1)



Juego de tornillos (x1)



Guía de inicio rápido (x1)



El aspecto del panel solar está sujeto a la del dispositivo real que haya comprado.

Instalación

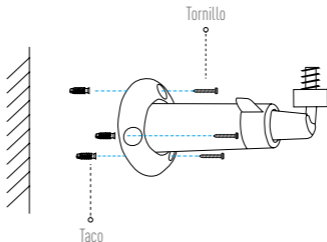
Puede instalar el panel solar en la pared o en el techo.

- i** PRECAUCIÓN: Como equipo de carga alternativo, la cantidad de energía generada por este panel solar puede verse afectada por su entorno natural real, principalmente la intensidad de la luz solar y la duración del tiempo de iluminación. Si la cámara a baterías se está quedando sin energía, tenga en cuenta que este panel solar solo no puede garantizar que la cámara permanezca en funcionamiento.

ES

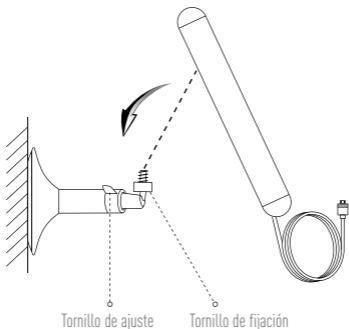
1 Instale el soporte

- (Para pared/techo de cemento solamente) Taladre los agujeros para los tornillos e inserte tres tacos de anclaje.
- Utilice tres tornillos para fijar el soporte.



2 Instalación del panel solar

- Monte el panel solar en el soporte.
- Apriete el tornillo de fijación.

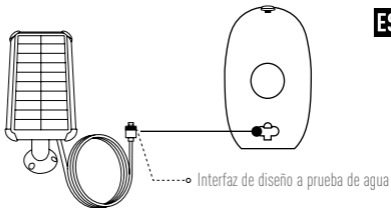


3 Ajuste del ángulo

- Afloje el tornillo de ajuste.
- Ajuste el ángulo del panel solar a la posición deseada.
- Apriete el tornillo de ajuste cuando tenga el panel solar en la posición que desee.

i Asegúrese de que el panel solar reciba la máxima radiación solar.

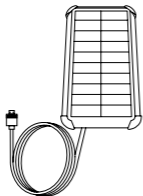
4 Carga de la batería de la cámara
- Conéctelo con la cámara a baterías.



i Para obtener información detallada, visite www.ezvizlife.com.

ES

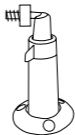
Contenu de la boîte



Panneau solaire (x1)



Kit de visserie (x1)



Support de montage réglable (x1)



Guide de démarrage rapide (x1)



Le panneau solaire que vous avez acheté fait office de référence.

Installation

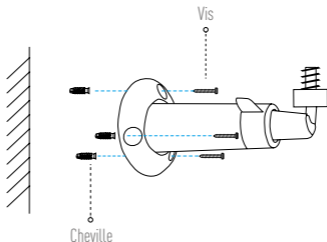
Vous pouvez installer le panneau solaire sur le mur ou le plafond.

- i** ATTENTION : Ceci est un équipement de recharge à source alternative : la quantité d'énergie générée par ce panneau solaire peut être affectée par son environnement, et principalement par l'intensité de la lumière du soleil et la durée d'exposition à la lumière. Si la batterie de la caméra est presque vide, souvenez-vous que ce panneau solaire seul ne peut assurer seul le fonctionnement continu de cette dernière.

FR

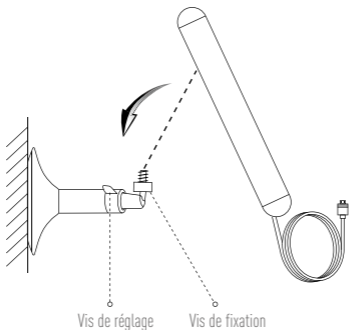
1 Installation du support

- (Installation uniquement sur un mur ou un plafond en ciment) Percez les trous pour les vis et insérez-y les chevilles.
- Fixez le support à l'aide de trois vis.



2 Installation du panneau solaire

- Montez le panneau solaire sur le support.
- Serrez la vis de fixation.



3 Réglage de l'angle

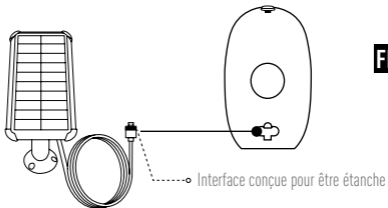
- Desserrez la vis de réglage.
- Ajustez l'angle du panneau solaire comme désiré.
- Vissez la vis de réglage lorsque le panneau solaire se trouve dans la position désirée.



Assurez-vous que le panneau solaire reçoit la quantité de rayons solaires maximale.

4 Charge de la batterie de la caméra

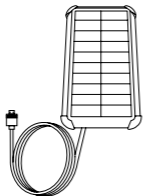
- Connexion avec la batterie de la caméra.



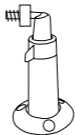
FR

i Pour obtenir des informations détaillées, visitez le site www.ezvizlife.com.

Contenuto della confezione



Pannello solare (x1)



Staffa di montaggio regolabile (x1)



Kit di viti (x1)



Guida rapida (x1)



L'effettivo aspetto del pannello solare dipende dal modello acquistato.

Installazione

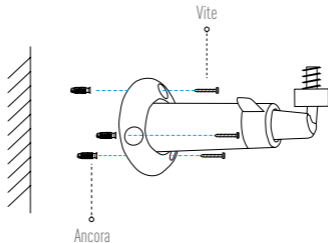
È possibile installare il pannello solare su una parete o sul soffitto.

- i** **ATTENZIONE:** La potenza generata da questo dispositivo di carica alternativo può variare a seconda delle condizioni ambientali, principalmente in base all'intensità della luce solare e alla durata dell'illuminazione. Se la batteria della telecamera sta per esaurirsi, è possibile che questo pannello solare non sia sufficiente a mantenere il dispositivo in funzione.

IT

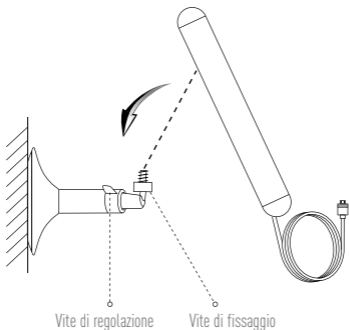
1 Installazione della staffa

- (Solo per pareti/soffitti in cemento) Praticare i fori per le viti con il trapano e inserire tre tasselli.
- Utilizzare tre viti per fissare la staffa.



2 Installazione del pannello solare

- Montare il pannello solare sulla staffa.
- Serrare la vite di fissaggio.



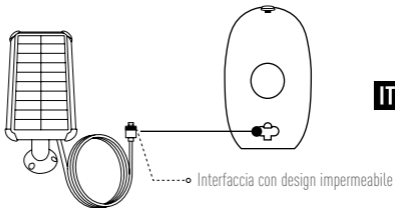
3 Regolazione dell'angolazione

- Allentare la vite di regolazione.
- Regolare l'angolazione del pannello solare in base alle preferenze.
- Stringere la vite di regolazione quando il pannello solare si trova nella posizione voluta.

i Assicurarsi che il pannello riceva quanta più luce solare possibile.

4 Caricamento della batteria della telecamera

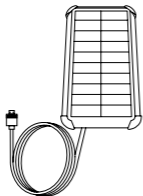
- Collegare il pannello solare alla batteria della telecamera.



i Per informazioni dettagliate, visitare il sito www.ezvizlife.com.

IT

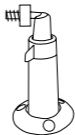
Inhoud van de doos



Zonnepaneel (x1)



Set schroeven (x1)



Verstelbare montagebeugel (x1)



Snelstartgids (x1)



Het uiterlijk van het zonnepaneel is onder voorbehoud van het feitelijk gekochte paneel.

Installatie

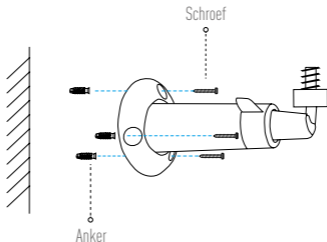
U kunt het zonnepaneel tegen de muur of het plafond monteren.

- i** LET OP: Als alternatieve oplaadapparatuur kan de hoeveelheid energie, die door dit zonnepaneel wordt gegenereerd, worden beïnvloed door de omgeving, zoals met name de intensiteit van het zonlicht en de duur van de belichting. Als de batterij van de camera leeg aan het raken is, houd er dan rekening mee dat dit zonnepaneel op zichzelf niet kan garanderen dat de camera in werkstatus blijft.

NL

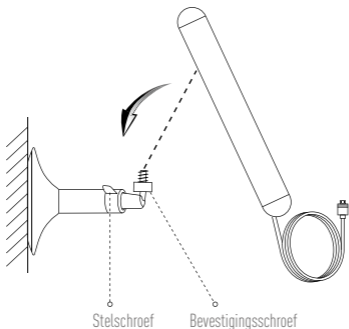
1 De beugel monteren

- (Uitsluitend voor cementen muur/plafond) Boor schroefgaten en steek er drie ankers in.
- Gebruik drie schroeven om de beugel te bevestigen.



2 Het zonnepaneel monteren

- Monteer het zonnepaneel aan de beugel.
- Draai de bevestigingsschroef vast.

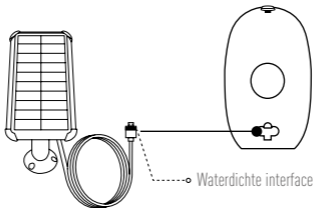


3 De hoek aanpassen

- Draai de stelschroef los.
- Pas de hoek van het zonnepaneel naar wens aan.
- Draai de stelschroef aan als het zonnepaneel in de gewenste positie staat.

i Zorg ervoor dat het zonnepaneel maximale zonnestraling ontvangt.

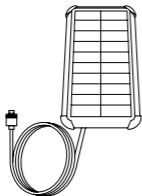
- 4** De batterij van de camera opladen
- Sluit aan op de batterij van de camera.



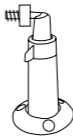
i Bezoek voor meer informatie www.ezvizlife.com.

NL

Zawartość opakowania



Panel słoneczny (x1)



Regulowany wspornik
montażowy (x1)



Zestaw wkrętów (x1)



Skrócona instrukcja obsługi (x1)

Wygląd panelu słonecznego jest zależny od zakupionego modelu.



Instalacja

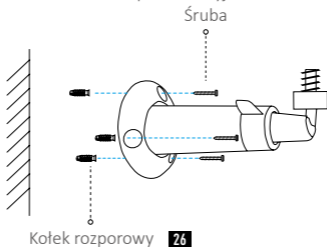
Panel słoneczny można zamontować na ścianie lub na suficie.

- i** PRZESTROGA: Ilość energii wytwarzanej przez ten panel słoneczny — jako alternatywne urządzenie do ładowania — może być uzależniona od rzeczywistych warunków otoczenia, głównie od natężenia światła słonecznego i długości okresu naświetlania. Należy pamiętać: jeśli bateria kamery akumulatorowej jest na skraju wyczerpania, to sam panel słoneczny nie jest w stanie zapewnić, że kamera będzie w stanie gotowości do pracy.

PL

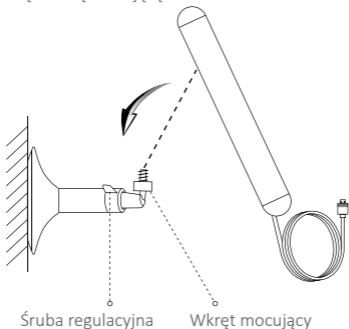
1 Montaż wspornika

- (Tylko ściany/sufity cementowe) Wywierć otwory i umieść w nich trzy kołki rozporowe.
- Do zamocowania wspornika użyj trzech śrub.



2 Instalacja panelu słonecznego

- Zamontuj panel słoneczny na uchwycie.
- Dokręć śrubę mocującą.

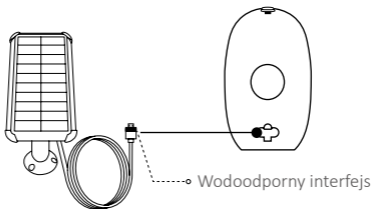


3 Regulacja kąta

- Poluzuj śrubę regulacyjną.
- Dostosuj kąt panelu słonecznego tak, aby objąć wybrany obszar.
- Po prawidłowym ustawieniu panelu słonecznego dokręć śrubę regulacyjną.

i Upewnij się, że do panelu słonecznego dociera maksymalna ilość promieniowania słonecznego.

- 4** Ładowanie baterii kamery akumulatorowej
- Podłącz urządzenie do baterii kamery akumulatorowej.

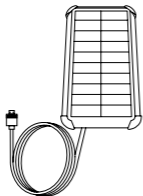


PL

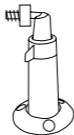


Aby uzyskać więcej informacji, skorzystaj z witryny www.ezvizlife.com.

Περιεχόμενα συσκευασίας



Ηλιακό πάνελ (x1)



Ρυθμιζόμενος βραχίονας
τοποθέτησης (x1)



Σετ βιδών (x1)



Οδηγός γρήγορης έναρξης (x1)

Η εμφάνιση του ηλιακού πάνελ εξαρτάται από το μοντέλο που αγοράσατε.



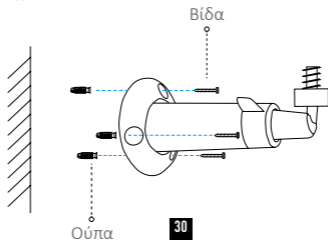
Εγκατάσταση

Μπορείτε να τοποθετήσετε το ηλιακό πάνελ στον τοίχο ή την οροφή.

- i** ΠΡΟΣΟΧΗ: Λόγω του εναλλακτικού εξοπλισμού φόρτισης, η ισχύς που παράγεται από το συγκεκριμένο ηλιακό πάνελ μπορεί να επηρεάζεται από το περιβάλλον του, κυρίως την ένταση του ηλιακού φωτός και τη χρονική διάρκεια φωτισμού. Εάν η μπαταρία της κάμερας εξαντλείται σύντομα, έχετε υπόψη ότι το ηλιακό πάνελ δεν μπορεί από μόνο του να εξασφαλίσει τη συνέχιση της λειτουργίας της.

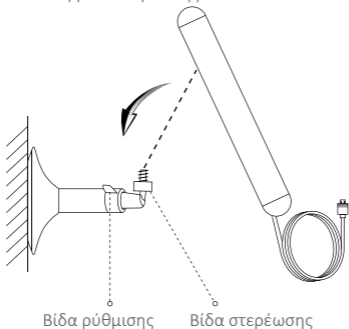
1 Τοποθέτηση του βραχίονα

- (Μόνο για τοίχους/οροφές από τσιμέντο) Ανοίξτε οπές για τις βίδες και τοποθετήστε τρία ούπα.
- Χρησιμοποιήστε τρεις βίδες για να στερεώσετε τον βραχίονα.



2 Τοποθέτηση του ηλιακού πάνελ

- Τοποθετήστε το ηλιακό πάνελ στον βραχίονα.
- Βιδώστε τη βίδα στερέωσης.



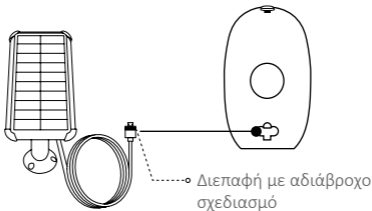
3 Ρύθμιση της γωνίας

- Ξεβιδώστε τη βίδα προσαρμογής.
- Προσαρμόστε τη γωνία του ηλιακού πάνελ όπως επιθυμείτε.
- Βιδώστε τη βίδα στερέωσης όταν το ηλιακό πάνελ βρίσκεται στη θέση που θέλετε.

i Βεβαιωθείτε ότι το ηλιακό πάνελ λαμβάνει μέγιστη ηλιακή ακτινοβολία.

4 Φόρτιση της μπαταρίας κάμερας

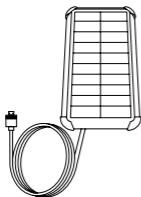
- Συνδέστε την μπαταρία της κάμερας.



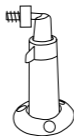
GR

i Για λεπτομερείς πληροφορίες, επισκεφτείτε τη διεύθυνση www.ezvizlife.com.

Obsah balení



Solární panel (1x)



Nastavitelný montážní držák (1x)



Sada šroubů (1x)



Stručná příručka (1x)



Vzhled solárního panelu závisí na typu zakoupeného produktu.

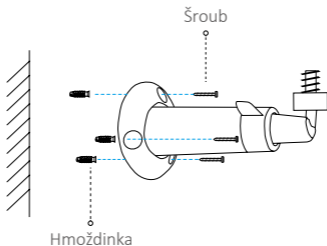
Montáž

Solární panel můžete namontovat na zeď nebo strop.

- i** UPOZORNĚNÍ: Tento solární panel slouží pouze jako alternativní nabíjecí zařízení, protože množství generované energie může být ovlivněno stavem okolního prostředí, zejména intenzitou slunečního světla a délkou osvětlení. Pokud je baterie kamery téměř vybitá, berte prosím na vědomí, že tento solární panel sám o sobě nemůže udržet kameru v provozním stavu.

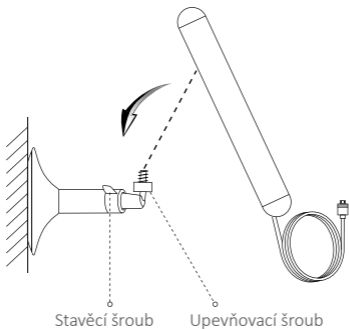
1 Montáž držáku

- (Pouze pro zděnou či panelovou zeď/strop) Vyrvejte otvory pro šrouby a vložte tři hmoždinky.
- Pro upevnění držáku použijte tři šrouby.



2 Montáž solárního panelu

- Namontujte solární panel na držák.
- Utáhněte upevňovací šroub.



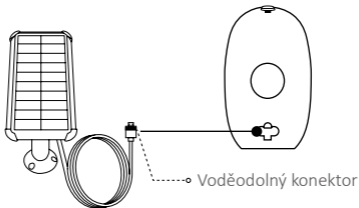
3 Nastavení úhlu

- Uvolněte stavěcí šroub.
- Nastavte požadovaný úhel solárního panelu.
- Jakmile bude solární panel v požadované poloze, utáhněte stavěcí šroub.

i Ujistěte se, že solární panel zachycuje maximální množství slunečního záření.

4 Nabíjení baterie kamery

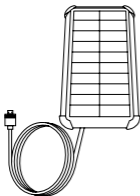
- Připojte je k baterii kamery.



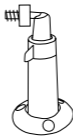
i Podrobné informace naleznete na webových stránkách www.ezvizlife.com.

CZ

Obsah balenia



Solárny panel (1 x)



Nastaviteľná montážna konzola (1 x)



Súprava skrutiek (1 x)



Príručka so stručným návodom (1 x)



Vzhľad solárneho panela závisí od zakúpeného modelu.

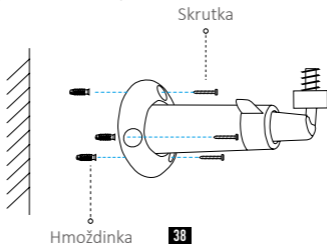
Inštalácia

Solárny panel je možné nainštalovať na stenu alebo na strop.

- i** **VÝSTRAHA:** Množstvo energie vytvárané týmto solárnym panelom, ktorý slúži ako alternatívne nabíjacie zariadenie, môže byť ovplyvnené skutočným okolitým prostredím, najmä intenzitou slnečného žiarenia a trvaním osvetlenia. Ak sa kamera napájaná batériou čoskoro vybije, je potrebné pamätať na to, že len samotný solárny panel nedokáže zabezpečiť, že kamera zostane v prevádzkyschopnom stave.

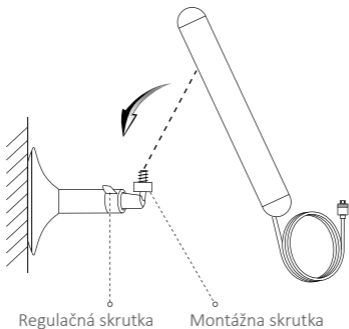
1 Inštalácia konzoly

- (Len pre betónové steny/stropy) Vyvrtajte otvory na skrutky a vložte do nich tri hmoždinky.
- Upevnite konzolu pomocou troch skrutiek.



2 Inštalácia solárneho panela

- Nainštalujte solárny panel na konzolu.
- Uťahnite zaistovaciu skrutku.

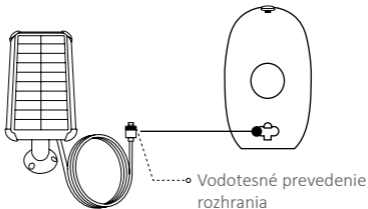


3 Nastavenie uhla

- Uvoľnite regulačnú skrutku.
- Nastavte požadovaný uhol solárneho panela.
- Uťahnite regulačnú skrutku po nastavení solárneho panela do požadovanej polohy.

i Uistite sa, že na solárny panel dopadá maximálne množstvo slnečného žiarenia.

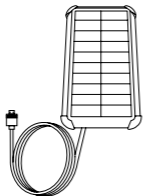
- 4** Nabíjanie kamery napájanej batériou
- Pripojte panel ku kamere napájanej batériou.



Podrobné informácie nájdete na stránke
www.ezvizlife.com.

SK

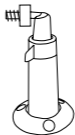
Innhold i pakken



Solcellepanel (x 1)



Skruesett (x 1)



Justerbar monteringsbrakett (x 1)



Hurtigstartveiledning (x 1)

i Solcellepanelets utseende avhenger av hvilken modell du faktisk har kjøpt.

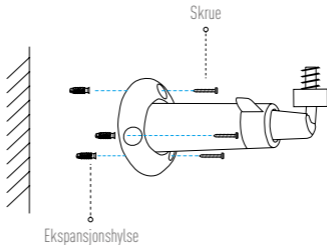
Installasjon

Du kan installere solcellepanelet på veggen eller på taket.

i FORSIKTIG: Solcellepanelet er en løsning for alternativ ladning. Strømmengden det genererer avhenger av omgivelsene, i hovedsak solstyrken og hvor lenge panelet belyses. Husk at dersom kameraets batteri er i ferd med å gå tom for strøm, kan ikke solcellepanelet alene drive kameraet.

1 Installer braketten

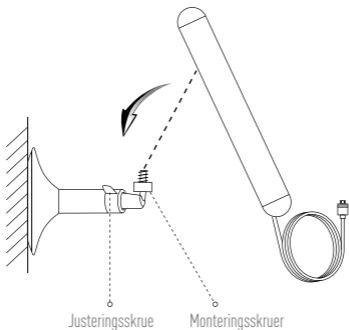
- (Kun for vegger/tak av betong) Bor skruenhull og sett inn tre ekspansjonshylser.
- Bruk tre skruer til å feste braketten.



NO

2 Installere solcellepanelet

- Monter solcellepanelet på braketten.
- Stram monteringskruen.

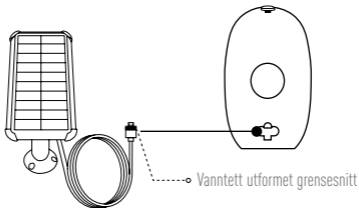


3 Juster vinkelen

- Løsne justeringskruen.
- Juster solcellepanelets vinkel i forhold til ønsket plassering.
- Stram justeringskruen når solcellepanelet er i ønsket posisjon.

i Sørg for at solcellepanelet mottar maksimal solmengde.

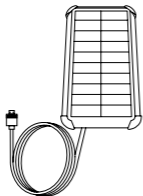
- 4** Lade kameraets batteri
- Tilkoble til kameraets batteri.



i For mer informasjon, besøk www.ezvizlife.com.

NO

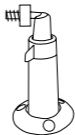
Förpackningens innehåll



Solpanel (x 1)



Skrusats (x 1)



Justerbart monteringsfäste (x 1)



Snabbstartsguide (x 1)



Solpanelen ser ut som den faktiska enhet som du har köpt.

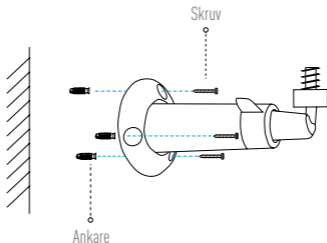
Installation

Du kan installera solpanelen på väggen eller i taket.

- i** FÖRSIKTIGHET: Som en alternativ laddningsutrustning kan effektvolymen som genereras av denna solpanel påverkas av dess faktiska omgivande miljö, i synnerhet intensiteten av solljus och belysningens tidsomfattning. Om batteriet börjar bli urladdat, kom ihåg att solpanelen ensam inte kan garantera att kameran fortsätter fungera.

1 Montera fästet

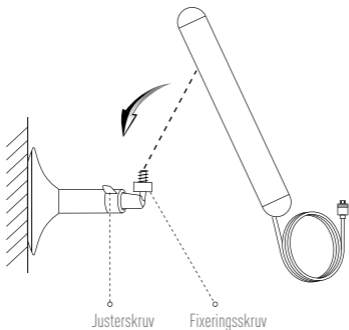
- (Endast för cementvägg/tak) Borra skruvhål och sätt in tre ankare.
- Använd tre skruvar för att fixera fästet.



SW

2 Installera solpanelen

- Montera solpanelen på fästet.
- Dra åt fixeringsskruven.

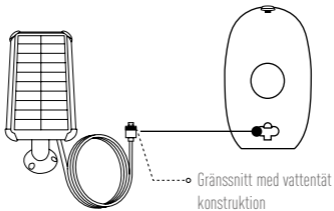


3 Justering av vinkeln

- Lossa justerskruven.
- Justera solpanelens vinkel enligt din önskade placering.
- Dra åt justerskruven när du har solpanelen i den position du vill ha den.

i Se till att solpanelen tar emot maximal solstrålning.

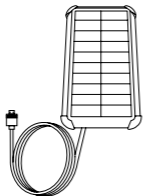
- 4** Ladda kamerabatteriet
- Anslut den till kamerabatteriet.



i Besök www.ezvizlife.com för mer information.

SW

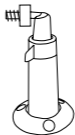
Kassens indhold



Solpanel (x 1)



Skruesæt (x 1)



Justerbart monteringsbeslag (x 1)



Startvejledning (x 1)



Solpanelets udseende afhænger af den købte model.

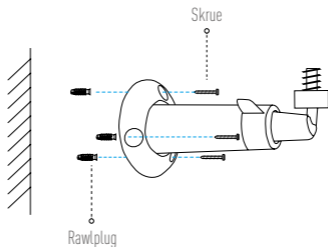
Installation

Du kan installere solpanelet på en væg eller i loftet.

- i** **FORSIGTIG:** Som alternativt udstyr til opladning kan strømmængden, der genereres af dette solpanel, påvirkes af omgivelserne omkring det, især af sollysets intensitet og belysningens varighed. Hvis det batteridrevne kamera er ved at løbe tør for strøm, skal du huske, at dette solpanel ikke alene kan sikre, at kameraet forbliver i driftsstatus.

1 Montér beslaget

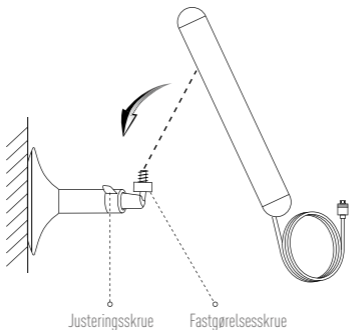
- (Kun til cementvæg/loft) Bor huller til skruer, og sæt tre rawlplugs i.
- Brug tre skruer til at fastgøre beslaget.



DK

2 Montering af solpanelet

- Montér solpanelet på beslaget.
- Stram fastgørelsesskruen.

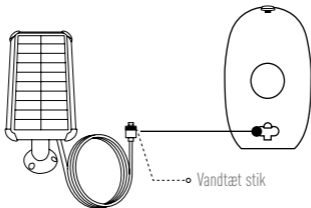


3 Justering af vinklen

- Løsn justeringsskruen.
- Justér solpanelets vinkel til den ønskede position.
- Stram justeringsskruen, når du har indstillet solpanelet til den ønskede position.

i Kontrollér, at solpanelet modtager maksimal solstråling.

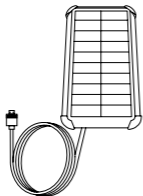
- 4** Oplad det batteridrevne kamera
- Slut solpanelet til det batteridrevne kamera.



i Besøg www.ezvizlife.com for flere oplysninger.

DK

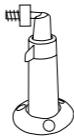
Pakkauksen sisältö



Aurinkopaneeli (x1)



Ruuvipakkaus (x1)



Säädettävä kiinnike (x1)



Pika-aloitusopas (x1)



Aurinkopaneelin ulkoasu riippuu ostamastasi mallista.

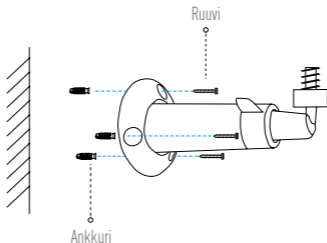
Asennus

Aurinkopaneelin voi asentaa seinälle tai katolle.

- i** HUOMIO: Todellinen ympäristö, kuten auringonvalon voimakkuus ja valoisan ajan pituus, voi vaikuttaa tämän aurinkopaneelin tuottaman tehon määrään vaihtoehtoisena latauslaitteistona. Pidä mielessä, että mikäli kameran akku on loppumassa, tämä aurinkopaneeli ei yksin varmista kameran toimintatilassa pysymistä.

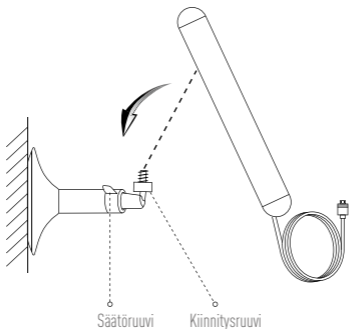
1 Kiinnikkeen asentaminen

- (Vain sementtiseinäään/-kattoon) Pora ruuvinreiät ja asenna kolme ankkuria.
- Kiinnitä kiinnike kolmella ruuvilla.



2 Aurinkopaneelin asentaminen

- Kiinnitä aurinkopaneeli kiinnikkeeseen.
- Kiristä kiinnitysruuvi.



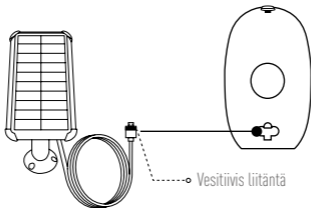
3 Kulman säätäminen

- Löysää säätöruuvia.
- Säädä aurinkopaneelin kulma haluamaasi asentoon.
- Kiristä säätöruuvi, kun aurinkopaneeli on haluamassasi asennossa.

i Varmista, että aurinkopaneeli saa maksimaalisesti auringon säteilyä.

4 Kameran akun lataaminen

- Liitä se kameran akkuun.



i Katso lisätietoa osoitteesta www.evizlife.com.

LIMITED WARRANTY

Thank you for purchasing Hangzhou EZVIZ Software Co., Ltd. ("EZVIZ") products. This limited warranty ("warranty") gives you, the original purchaser of the EZVIZ product, specific legal rights. You may also have other legal rights that vary by state, province or jurisdiction. This warranty applies only to the original purchaser of the product. "Original purchaser" means any consumer having purchased the EZVIZ product from an authorized seller. The disclaimers, exclusions, and limitations of liability under this warranty will not apply to the extent prohibited by applicable law. No distributor, reseller, agent, or employee is authorized to make any modification, extension, or addition to this warranty.

Your EZVIZ product is warranted for a period of two (2) years from the date of purchase against defects in materials and workmanship, or such longer period as may be required by law in the country or state where this product is sold, when used normally in accordance with user manual.

You can request warranty service by contacting our Customer Service.

For any defective EZVIZ products under warranty, EZVIZ will, at its option, (i) repair or replace your product free of charge; (ii) exchange your product with a functional equivalent product; or (iii) refund the original purchase price, provided you provide the original purchase receipt or copy, a brief explanation of the defect, and return the product in its original packaging. At EZVIZ's sole discretion, repair or replacement may be made with a new or refurbished product or components. This warranty does not cover the shipping cost, insurance, or any other incidental charges incurred by you in returning the product.

Except where prohibited by applicable law, this is your sole and exclusive remedy for breach of this warranty. Any product that has either been repaired or replaced under this warranty will be covered by the terms of this warranty for the longer of ninety (90) days from the date of delivery or the remaining original warranty period.

This warranty does not apply and is void:

- If the warranty claim is made outside the warranty period or if the proof of purchase is not provided;
- For any malfunction, defect, or failure caused by or resulting from the evidence of impact; mishandling; tampering; use contrary to the applicable instruction manual; incorrect power line voltage; accident; loss; theft; fire; flood; or other Acts of God; shipping damage; or damage resulting from repairs performed by unauthorized personnel;
- For any consumable parts, such as batteries, where the malfunction is due to the normal aging of the product;
- Cosmetic damage, including but not limited to scratches, dents, and broken plastic on ports;
- Any software, even if packaged or sold with EZVIZ hardware;
- For any other damages free from defects in material or workmanship;
- Routine cleaning, normal cosmetic and mechanical wear and tear.

Please do not hesitate to contact your seller or our Customer Service, with any questions.

EINGESCHRÄNKTE GARANTIE

Vielen Dank, dass Sie sich für Produkte der Hangzhou EZVIZ Software Co., Ltd. (EZVIZ) entschieden haben. Diese eingeschränkte Garantie („Garantie“) gibt Ihnen, dem Erstkäufer des EZVIZ-Produkts, spezifische Rechtsansprüche. Sie können auch andere gesetzliche Rechte haben, die je nach Staat, Provinz oder Gerichtsbarkeit variieren. Diese Garantie gilt nur für den Erstkäufer des Produkts. „Erstkäufer“ ist jeder Verbraucher, der das EZVIZ-Produkt bei einem autorisierten Verkäufer gekauft hat. Die Haftungsausschlüsse, Ausschlüsse und Beschränkungen der Haftung im Rahmen dieser Garantie gelten nicht, soweit sie durch geltendes Recht verboten sind. Kein Vertriebspartner, Wiederverkäufer, Vertreter oder Mitarbeiter ist berechtigt, Änderungen, Erweiterungen oder Ergänzungen dieser Garantie vorzunehmen.

Für Ihr EZVIZ-Produkt gilt eine Garantie von zwei (2) Jahren ab Kaufdatum gegen Material- und Verarbeitungsfehler oder eine längere Zeitspanne, die das Gesetz des Landes oder Bundesstaates, in dem dieses Produkt verkauft wird, vorschreibt, wenn es normalerweise gemäß der Bedienungsanleitung verwendet wird.

Sie können Garantieleistungen anfordern, indem Sie sich an unseren Kundendienst wenden.

Für defekte EZVIZ-Produkte im Rahmen der Garantie wird EZVIZ nach eigenem Ermessen (i) Ihr Produkt kostenlos reparieren oder ersetzen, (ii) Ihr Produkt gegen ein funktional gleichwertiges Produkt austauschen, oder (iii) den ursprünglichen Kaufpreis zurückerstatten, vorausgesetzt, Sie legen die Original-Kaufquittung oder deren Kopie, eine kurze Erklärung des Defekts und das Produkt in der Originalverpackung vor. Nach eigenem Ermessen kann EZVIZ eine Reparatur oder einen Austausch mit einem neuen oder überholten Produkt oder Komponenten durchführen. Diese Garantie deckt nicht die Versandkosten, die Versicherung oder andere Nebenkosten, die Ihnen bei der Rücksendung des Produkts entstehen.

Sofern nicht durch geltendes Recht verboten, ist dies Ihr einziges und ausschließliches Rechtsmittel bei Verletzung dieser Garantie. Jedes Produkt, das im Rahmen dieser Garantie repariert oder ersetzt wurde, unterliegt den Bedingungen dieser Garantie für die Dauer von neunzig (90) Tagen ab Lieferdatum oder der verbleibenden ursprünglichen Garantiezeit.

Diese Garantie gilt nicht und ist unter folgenden Bedingungen ungültig:

- Wenn der Garantieanspruch außerhalb der Garantiezeit geltend gemacht wird oder wenn der Kaufbeleg nicht vorgelegt wird;
- Für jede Fehlfunktion, jeden Defekt oder jede Störung, die durch oder infolge von Beweisen für Stöße, Fehlbedienung, Sabotage, unsachgemäßen Gebrauch, falsche Netzspannung, Unfall, Verlust, Diebstahl, Feuer, Überschwemmung oder andere höhere Gewalt, Transportschäden oder Schäden, die durch Reparaturen durch nicht autorisiertes Personal verursacht wurden;
- Für alle Verbrauchsmaterialien, wie beispielsweise Batterien, bei denen die Fehlfunktion auf die normale Alterung des Produkts zurückzuführen ist;
- Kosmetische Schäden, einschließlich, aber nicht darauf beschränkt, Kratzer, Dellen und Kunststoffbruch an den Ports;
- Jegliche Software, auch wenn sie mit EZVIZ-Hardware verpackt oder verkauft wird;
- Für alle anderen Schäden, die frei von Material- oder Verarbeitungsfehlern sind;
- Routinemäßige Reinigung, normale kosmetische und mechanische Abnutzung.

BITTE WENDEN SIE SICH MIT FRAGEN AN IHREN VERKÄUFER ODER UNSEREN KUNDENDIENST.

GARANTÍA LIMITADA

Gracias por comprar productos de Hangzhou EZVIZ Software Co., Ltd. ("EZVIZ"). Esta garantía limitada ("garantía") le otorga a usted, comprador original del producto EZVIZ, derechos legales específicos. Quizá disponga de otros derechos legales según la región, provincia o jurisdicción. Esta garantía se aplica exclusivamente al comprador original del producto. Por "comprador original" se entiende cualquier consumidor que haya comprado el producto EZVIZ a un vendedor autorizado. Las renunciaciones, exclusiones o limitaciones de responsabilidad bajo esta garantía no se aplicarán en la medida prohibida por la legislación vigente. Ningún distribuidor, vendedor, agente o empleado está autorizado a hacer modificaciones, extensiones o adiciones a esta garantía.

Su producto EZVIZ tiene garantía, que cubre defectos de materiales y fabricación, por un periodo de (2) años desde la fecha de la compra o por un periodo mayor según lo requiera la legislación en el país o región donde se venda este producto, siempre que se utilice tal y como se indica en el manual de usuario.

Puede solicitar el servicio de garantía poniéndose en contacto con nuestro Servicio al Cliente.

Ante cualquier producto EZVIZ defectuoso, EZVIZ decidirá si: (i) reparar o reemplazar su producto sin gasto alguno; (ii) cambiar su producto por un producto funcional equivalente; o (iii) devolver el dinero original de la compra, siempre que nos facilite el recibo de compra original, una breve explicación del defecto y devuelva el producto en su embalaje original. Según considere EZVIZ, la reparación o reemplazo puede realizarse con un producto o componente nuevo o reacondicionado. Esta garantía no cubre los gastos de envío, seguro ni ningún otros gastos secundarios en los que usted pueda incurrir al devolver el producto.

A menos que lo prohíba la legislación vigente, este es su recurso único y exclusivo por incumplimiento de esta garantía. Cualquier producto que haya sido reparado o reemplazado bajo esta garantía quedará cubierto por los términos de esta garantía por un máximo de (90) días desde el día de envío o por el periodo de garantía original restante.

Esta garantía no se aplica y quedará anulada:

- Si el derecho a la garantía se ejerce fuera del periodo de la garantía o si no se proporciona ninguna prueba de compra;
- Por cualquier avería, defecto o fallo provocado o que resulte de algún impacto; uso incorrecto; manipulación; uso contrario a lo indicado en el manual de instrucciones; tensión de alimentación incorrecta; accidente; pérdida; robo; incendio; inundación; u otros casos fortuitos; daños de envío; o daños que resulten de reparaciones realizadas por personal no autorizado;
- Para los elementos consumibles, tales como baterías, ya que el mal funcionamiento se debe al paso del tiempo del producto;
- Daños superficiales incluyendo, entre otros: rasguños, abolladuras y plásticos rotos en los puertos;
- Cualquier software, aunque esté embalado o se venda junto a hardware de EZVIZ;
- Por cualquier otro daño que no sea por defectos en el material o de su fabricación;
- Limpieza rutinaria, daños superficiales normales y desgastes mecánicos.

No dude en ponerse en contacto con su vendedor o con nuestro Servicio al Cliente si tiene alguna duda.

GARANTIE LIMITÉE

Merci d'avoir acheté ce produit fabriqué par Hangzhou EZVIZ Software Co., Ltd. (« EZVIZ »). La présente garantie limitée (« garantie » vous octroie, en tant qu'acheteur original du produit EZVIZ, des droits légaux spécifiques. Vous pouvez également faire valoir d'autres droits légaux, qui varient d'un État, d'une province ou d'une juridiction à l'autre. La présente garantie couvre uniquement l'acheteur original du produit. « Acheteur original » désigne tout consommateur ayant acheté le produit EZVIZ auprès d'un distributeur agréé. Les avis de non-responsabilité, les exclusions et les limitations de responsabilité au titre de la présente garantie ne s'appliquent pas dans la mesure où les lois en vigueur l'interdisent. Aucun distributeur, revendeur, agent ou employé n'est autorisé à effectuer des modifications, des extensions ou des ajouts à la présente garantie.

Votre produit EZVIZ est couvert par la garantie pour une période de (2) ans à compter de la date d'achat, contre les défauts matériels et de main-d'œuvre, ou durant une période plus longue telle que pourrait l'exiger la loi de l'État ou du pays où le produit est vendu, en cas d'utilisation normale de celui-ci conformément au manuel d'utilisation.

Vous pouvez solliciter le service de garantie en contactant notre service client.

Pour tout produit EZVIZ défectueux couvert par la garantie, EZVIZ pourra, à sa discrétion, (i) le réparer ou le remplacer gratuitement, (ii) l'échanger contre un autre produit équivalent fonctionnel ou (iii) vous rembourser son prix d'achat initial, sous réserve de la fourniture de la facture d'achat originale ou d'une copie de celle-ci accompagnée d'une brève explication du défaut, et du renvoi du produit dans son emballage d'origine. À la totale discrétion d'EZVIZ, la réparation ou le remplacement d'un produit peut se faire avec un produit ou des composants neufs ou remis à neuf. La présente garantie ne couvre pas le coût d'expédition, l'assurance ou tous autres frais accessoires pris en charge par vos soins lors du retour du produit.

Sauf si la loi l'interdit, la mesure ci-dessous constitue votre recours exclusif en cas de violation de la présente garantie. Tout produit qui a été réparé ou remplacé en vertu de la présente garantie sera couvert par les termes de la présente garantie pour une période de quatre-vingt-dix (90) jours à compter de la date de livraison au client ou pour la période de garantie originale restante.

La présente garantie ne s'applique pas et est nulle dans les cas ci-dessous :

- la réclamation au titre de la garantie est faite hors la période de garantie ou si la preuve d'achat n'est pas fournie ;
- tout dysfonctionnement, défectuosité ou panne causé par un impact, une mauvaise manipulation, une altération, une utilisation en violation du manuel d'utilisation en vigueur, une mauvaise tension d'alimentation, un accident, une perte, un vol, un incendie, une inondation, un cas de force majeure, un dommage lié à l'expédition ou un dommage lié aux réparations effectuées par un technicien non agréé, ou résultant de l'une des causes ci-dessous ;
- les consommables, par exemple les batteries, dont le dysfonctionnement est dû au vieillissement normal du produit ;
- les dommages cosmétiques, y compris, mais sans s'y limiter, les égratignures, les bosses et le déchirement des pièces en plastique garnissant les ports ;
- les logiciels, y compris ceux emballés ou vendus avec le matériel EZVIZ ;
- tout autre dommage que les dommages liés aux défauts matériels ou de main-d'œuvre ;
- l'usure liée au nettoyage de routine, l'usure cosmétique normale et l'usure mécanique.

Si vous avez des questions, n'hésitez pas à contacter votre distributeur ou notre service client.

GARANZIA LIMITATA

Grazie per aver acquistato i prodotti Hangzhou EZVIZ Software Co., Ltd. ("EZVIZ"). Questa garanzia limitata ("garanzia") fornisce all'acquirente originale del prodotto EZVIZ dei diritti legali specifici. È possibile inoltre avere altri diritti legali che variano a seconda dello stato, della provincia o della giurisdizione. La garanzia si applica unicamente all'acquirente originale del prodotto. "L'acquirente originale" si riferisce a qualsiasi consumatore che ha acquistato il prodotto EZVIZ da un rivenditore autorizzato. Le dichiarazioni di esclusione di responsabilità, le esclusioni e le limitazioni di responsabilità ai sensi della presente garanzia non si applicano nella misura in cui sono proibite dalle leggi applicabili. Nessun distributore, rivenditore, agente o dipendente è autorizzato a effettuare modifiche, estensione o aggiunte alla presente garanzia.

Il prodotto EZVIZ è garantito per un periodo di due (2) anni dalla data di acquisto per difetti nei materiali e nella lavorazione, o per un periodo maggiore che potrebbe essere richiesto dalla legge nel paese o nello stato in cui questo prodotto viene venduto, se usato normalmente in conformità con il manuale dell'utente.

È possibile richiedere il servizio di garanzia rivolgendosi al nostro Servizio di Assistenza.

Per qualsiasi prodotto EZVIZ difettoso in garanzia, EZVIZ, a sua discrezione, (i) riparerà o sostituirà il prodotto gratuitamente; (ii) sostituirà il prodotto con uno equivalente funzionante; o (iii) rimborserà il prezzo di acquisto originale, a condizione che sia presentata la ricevuta dell'acquisto originale o una sua copia, una breve spiegazione del difetto e il prodotto sia restituito nella sua confezione originale. A discrezione esclusiva di EZVIZ, la riparazione o la sostituzione possono essere effettuate con un prodotto o componenti nuovi o ricondizionati. Questa garanzia non copre il costo di spedizione, assicurazione o altre spese accessorie sostenute nella restituzione del prodotto.

Fatti salvi i casi vietati dalla legge vigente, il presente è l'unico rimedio esclusivo per la violazione della presente garanzia. Qualsiasi prodotto che sia stato riparato o sostituito in base a questa garanzia sarà coperto dai termini della presente garanzia per un massimo di novanta (90) giorni dalla data di consegna o dal periodo di garanzia originale rimanente.

Questa garanzia non si applica ed è nulla:

- Se la richiesta di garanzia viene presentata al di fuori del periodo di garanzia o se la prova di acquisto non viene fornita;
- Per qualsiasi malfunzionamento, difetto o guasto causato o risultante da impatto; uso improprio; manomissione; non osservanza di quanto indicato nel manuale di istruzioni applicabile; tensione della linea elettrica errata; incidente; perdita; furto; incendio; alluvione; o altre catastrofi naturali; danni derivanti da spedizione; o da riparazioni eseguite da personale non autorizzato;
- Per le parti consumabili, come le batterie, in cui il malfunzionamento è dovuto al normale invecchiamento del prodotto;
- Danni estetici, compresi a titolo esemplificativo e non esaustivo, ammaccature e rottura delle porte in plastica;
- Qualsiasi software, anche se incluso o venduto con l'hardware EZVIZ;
- Per qualsiasi altro danno esente da difetti in materiali o lavorazione;
- Pulizia di routine, normale estetica e usura meccanica.

In caso di domande, non esitare a contattare il rivenditore o il Servizio Clienti.

BEPERKTE GARANTIE

Dank u voor de aanschaf van de producten van Hangzhou EZVIZ Software Co., Ltd. ("EZVIZ"). Deze beperkte garantie ("garantie") geeft u, de oorspronkelijke koper van het EZVIZ-product, specifieke wettelijke rechten. U kunt ook andere wettelijke rechten hebben die uiteenlopen per staat, provincie of rechtsgebied. Deze garantie is uitsluitend van toepassing voor de oorspronkelijke koper van het product. "Oorspronkelijke koper" betekent enige consument die het EZVIZ-product van een geautoriseerde verkoper heeft aangeschaft. De afwijzingen, uitsluitingen en beperkingen van aansprakelijkheid onder deze garantie is niet van toepassing voor zover dit door toepasselijke wetgeving wordt verboden. Geen distributeur, wederverkoper, agent of werknemer is geautoriseerd voor het aanbrengen van enige wijziging of uitbreiding van of toevoeging aan deze garantie.

Uw EZVIZ-product wordt voor een periode van twee (2) jaar vanaf de aankoopdatum gegarandeerd tegen gebreken in materialen en vakmanschap of een zodanig langere periode als wettelijk kan worden vereist in het land of de staat waar dit product wordt verkocht, bij normaal gebruik in overeenstemming met de gebruiksaanwijzing.

U kunt verzoeken om onderhoud onder de garantie door contact op te nemen met onze klantenservice.

Voor enige defecte EZVIZ-producten onder garantie, zal EZVIZ, naar haar oordeel, (i) het product kosteloos repareren of vervangen; (ii) het product vervangen door een functioneel equivalent product; of (iii) het oorspronkelijke aankoopbedrag terugbetalen, op voorwaarde dat u het oorspronkelijke betalingsbewijs of een kopie hiervan, een korte uitleg van het defect verstrekt en het product in de oorspronkelijke verpakking retourneert. Reparatie of vervanging kan uitsluitend naar eigen goedgevoelen van EZVIZ worden uitgevoerd met nieuwe of opgeknapte producten of componenten. Deze garantie dekt geen verzendkosten, verzekering of enige andere incidentele kosten die u voor het retourneren van het product moet betalen.

Behalve waar dit door toepasselijke wetgeving wordt verboden, is dit uw enige en exclusieve verhaal bij inbreuk op deze garantie. Enig product dat onder deze garantie is gerepareerd of vervangen, wordt gedekt door de voorwaarden van deze garantie voor de duur van negentig (90) dagen vanaf de afleverdatum of de resterende oorspronkelijke garantieperiode.

Deze garantie is niet van toepassing en is ongeldig:

- Als de aanspraak op garantie buiten de garantieperiode wordt gemaakt of als de het aankoopbewijs niet wordt verschaft;
- Bij enig(e) storing, defect of fout die is veroorzaakt of het gevolg is van bewezen schokken; mishandeling; manipulatie; gebruik in strijd met de toepasselijke gebruiksaanwijzing; onjuiste netspanning; ongeval; verlies; diefstal; brand; overstroming; of andere overmacht; verzendschade; of schade als gevolg van reparaties die door onbevoegd personeel zijn uitgevoerd;
- Voor enige verbruiksartikelen, zoals batterijen, waarbij de storing plaatsvindt vanwege de normale veroudering van het product;
- Cosmetische schade, inclusief maar niet beperkt tot krassen, deuken en gebroken kunststof op poorten;
- Enige software, zelfs als deze bij EZVIZ-hardware wordt verpakt of verkocht;
- Voor enige andere schade behalve defecten in materiaal of vakmanschap;
- Routinematig reinigen, normale cosmetische en mechanische slijtage.

Als u vragen of verzoeken hebt, aarzel dan niet om contact op te nemen uw verkoper of onze klantenservice.

OGRANICZONA GWARANCJA

Dziękujemy za zakup produktów Hangzhou EZVIZ Software Co., Ltd. („EZVIZ”). Niniejsza ograniczona gwarancja („Gwarancja”) przyznaje Tobie, pierwotnemu nabywcy produktu EZVIZ, konkretne prawa. Możesz również mieć inne prawa, zależnie od kraju, regionu lub jurysdykcji. Gwarancja ma zastosowanie jedynie do pierwotnego nabywcy produktu. „Pierwotny nabywca” oznacza dowolnego klienta, który nabył produkt EZVIZ od autoryzowanego dystrybutora. Zastrzeżenia, wyjątki i ograniczenia odpowiedzialności objęte niniejszą gwarancją nie będą mieć zastosowania wykraczającego poza obowiązujące przepisy prawne. Żaden dystrybutor, sprzedawca, agent ani pracownik nie jest upoważniony do wprowadzania zmian, rozszerzeń, czy dodatkowych zapisów niniejszej gwarancji.

Produkt EZVIZ objęty jest gwarancją na okres dwóch (2) lat od daty zakupu na wypadek wad materiałowych i produkcyjnych, lub przez dłuższy okres, jeśli wymaga tego prawodawstwo kraju lub stanu, w którym produkt został sprzedany, o ile jest użytkowany normalnie i zgodnie z instrukcją.

Możesz zażądać usług gwarancyjnych poprzez kontakt z obsługą klienta.

Dla wszystkich wadliwych produktów EZVIZ objętych gwarancją, EZVIZ, wedle uznania, (i) bezpłatnie naprawi lub wymieni produkt; (ii) wymieni produkt na jego funkcjonalny ekwiwalent; lub (iii) zwróci oryginalną cenę zakupu, o ile przedstawisz oryginalny paragon lub jego kopię, krótki opis defektu, i zwrócisz towar w oryginalnym opakowaniu. Naprawa lub wymiana mogą być przeprowadzone z wykorzystaniem nowych lub odnowionych produktów lub części wyłącznie według uznania EZVIZ. Niniejsza gwarancja nie obejmuje kosztów przesyłki, ubezpieczenia ani dodatkowych opłat poniesionych przez Ciebie w związku ze zwrotem produktu.

Z wyjątkiem sytuacji, w których jest to zabronione prawem, jest to jedyna możliwość naruszenia postanowień gwarancji. Każdy produkt, który był naprawiany lub wymieniony w ramach niniejszej gwarancji będzie objęty warunkami tej gwarancji przez okres dłuższy o dziewięćdziesiąt (90) dni od daty dostarczenia lub pozostałego okresu gwarancji.

Gwarancja nie ma zastosowania i jest nieważna:

- jeśli żądanie gwarancyjne zostało wysunięte po okresie gwarancji lub jeśli nie przedstawiono dowodu zakupu;
- w przypadku niesprawności, defektu lub nie działania spowodowanych lub będących wynikiem ewidentnego uderzenia; nieprawidłowego obchodzenia się; ingerencji; zastosowania sprzecznego z odpowiednią instrukcją; nieprawidłowego zasilania; wypadku; zagubienia; kradzieży; pożaru; powodzi; lub skutków działania sił wyższych; uszkodzenia w trakcie transportu; uszkodzenia wynikającego z napraw przeprowadzanych przez nieautoryzowane osoby;
- odnośnie części będących materiałami eksploatacyjnymi, takich jak baterie, jeśli usterka jest skutkiem naturalnego procesu ich starzenia;
- w przypadku uszkodzeń kosmetycznych, w tym, nie wyłączając, rys, wgnieceń, ułamanych plastikowych elementów portów;
- odnośnie jakiegokolwiek oprogramowania, nawet jeśli jest zapakowane i sprzedawane ze sprzętem EZVIZ;
- w przypadku innych uszkodzeń nie będących następstwem defektów materiałowych lub produkcyjnych;
- w przypadku rutynowego czyszczenia, normalnych walorów kosmetycznych, zużycia mechanicznego.

Jeśli masz jakiegokolwiek pytania, nie wahaj się skontaktować z obsługą klienta lub sprzedawcą.

ΠΕΡΙΟΡΙΣΜΕΝΗ ΕΓΓΥΗΣΗ

Σας ευχαριστούμε για την αγορά προϊόντων της Hangzhou EZVIZ Software Co., Ltd. («EZVIZ»). Η παρούσα περιορισμένη εγγύηση («εγγύηση») παρέχει σε εσάς, τον αρχικό αγοραστή του προϊόντος EZVIZ, ειδικά νομικά δικαιώματα. Ενδέχεται να έχετε κι άλλα νομικά δικαιώματα που ποικίλλουν ανάλογα με το κράτος, την περιοχή ή τη δικαιοδοσία σας. Η παρούσα εγγύηση ισχύει μόνο για τον αρχικό αγοραστή του προϊόντος. Ως «αρχικός αγοραστής» ορίζεται οποιοσδήποτε καταναλωτής έχει αγοράσει το προϊόν EZVIZ από εξουσιοδοτημένο πωλητή. Οι αποποιήσεις, εξαίρεσεις και περιορισμοί ευθύνης βάσει της παρούσας εγγύησης δεν ισχύουν στον βαθμό που απαγορεύεται από το εφαρμοστέο δίκαιο. Κανένας διανομέας, μεταπωλητής, αντιπρόσωπος ή εργαζόμενος δεν είναι εξουσιοδοτημένος να προβεί σε οποιαδήποτε τροποποίηση, επέκταση ή προσηκρή στην παρούσα εγγύηση.

Το προϊόν σας EZVIZ καλύπτεται με εγγύηση δύο (2) ετών από την ημερομηνία αγοράς του έναντι ελαττωμάτων σε υλικά και στην ποιότητα κατασκευής ή για μεγαλύτερη χρονική περίοδο, όπως ενδεχομένως απαιτείται από τη νομοθεσία στη χώρα ή στο κράτος πώλησης αυτού του προϊόντος, εφόσον χρησιμοποιείται υπό κανονικές συνθήκες σύμφωνα με το εγχειρίδιο χρήσης.

Μπορείτε να υποβάλετε αίτηση για επισκευή επικοινωνώντας με την Εξυπηρέτηση πελατών.

Για οποιοδήποτε ελαττωματικό προϊόν EZVIZ που καλύπτεται από εγγύηση, η EZVIZ, κατά την προαίρεσή της, (i) θα επισκευάσει ή αντικαταστήσει το προϊόν σας δωρεάν, (ii) θα ανταλλάξει το προϊόν σας με ένα αντίστοιχο λειτουργικό προϊόν ή (iii) θα επιστρέψει το αντίτιμο της αρχικής τιμής αγοράς, με την προϋπόθεση ότι θα προσκομίσετε την πρωτότυπη απόδειξη αγοράς ή αντίγραφο αυτής με σύντομη επεξήγηση του ελαττώματος του προϊόντος και ότι θα επιστρέψετε το προϊόν στην αρχική του συσκευασία. Κατά τη διακριτική ευχέρεια της EZVIZ, η επισκευή ή η αντικατάσταση ενδέχεται να πραγματοποιηθεί με νέο ή επισκευασμένο προϊόν ή εξαρτήματα. Η παρούσα εγγύηση δεν καλύπτει έξοδα αποστολής, ασφάλισης ή άλλες παρεπόμενες δαπάνες, με τις οποίες θα επιβαρυνθείτε κατά την επιστροφή τους προϊόντος.

Εκτός αν απαγορεύεται από το εφαρμοστέο δίκαιο, αυτό είναι το μόνο και αποκλειστικό σας ένδικο μέσο σε περίπτωση παραβίασης της παρούσας εγγύησης. Οποιοδήποτε προϊόν έχει επισκευαστεί ή αντικατασταθεί δυνάμει της παρούσας εγγύησης καλύπτεται από τους όρους αυτής της εγγύησης είτε για διάστημα ενενήντα (90) ημερών από την ημερομηνία παράδοσης, είτε για την εναπομένουσα αρχική περίοδο εγγύησης, όποιο είναι μεγαλύτερο.

Η παρούσα εγγύηση δεν ισχύει ή θεωρείται άκυρη:

- Εάν η αξίωση εγγύησης εγερθεί εκτός της περιόδου εγγύησης ή σε περίπτωση μη προσκόμισης του αποδεικτικού αγοράς.
- Για οποιαδήποτε δυσλειτουργία, ελάττωμα ή βλάβη που προκληθεί από ή οφείλεται σε εμφανή πρόσκρουση, κακό χειρισμό, παραποίηση, χρήση αντίθετη με το σχετικό εγχειρίδιο οδηγιών, εσφαλμένη τάση τροφοδοσίας, ατύχημα, απώλεια, κλοπή, πυρκαγιά, πλημμύρα ή λοιπές θεομηνίες, βλάβη κατά την αποστολή ή ζημιά που απορρέει από επισκευές που πραγματοποιήθηκαν από μη εξουσιοδοτημένο προσωπικό.
- Για οποιαδήποτε αναλώσιμα εξαρτήματα, όπως οι μπαταρίες, η δυσλειτουργία των οποίων οφείλεται στη κανονική χρήση του προϊόντος με την πάροδο του χρόνου.
- Για αισθητικές ζημιές, συμπεριλαμβανομένων, μεταξύ άλλων, γρατζουνιών, βαθουλωμάτων και σπασμένων πλαστικών στις θύρες.
- Για οποιοδήποτε λογισμικό, ακόμη κι αν συσκευάστηκε ή πωλήθηκε μαζί με το υλισμικό της EZVIZ.
- Για οποιαδήποτε άλλη βλάβη που δεν οφείλεται σε ελαττώματα σε υλικά και στην ποιότητα κατασκευής.
- Για συνθήκη καθαρισμού, φυσιολογική αισθητική και μηχανική φθορά.

Για τυχόν ερωτήσεις, μη διστάσετε να επικοινωνήσετε με το κατάστημα πώλησης ή την Εξυπηρέτηση πελατών.

OMEZENÁ ZÁRUKA

Děkujeme vám za zakoupení výrobku společnosti Hangzhou EZVIZ Software Co., Ltd. („EZVIZ“). Tato omezená záruka („záruka“) vám, jako osobě, která výrobek EZVIZ původně zakoupila, uděluje specifická zákonná práva. V závislosti na státu, regionu nebo jurisdikci vám mohou být zaručena také další zákonná práva. Tato záruka se vztahuje pouze na osobu, která výrobek původně zakoupila. „Osobou, která výrobek původně zakoupila“ se míní spotřebitel, který výrobek EZVIZ zakoupil u autorizovaného prodejce. Zřeknutí se práv, vyloučení a omezení odpovědnosti uvedená v této záruce jsou omezena příslušnými právními předpisy. Tuto záruku není žádný distributor, prodejce, agent ani zaměstnanec oprávněn jakkoli upravovat, rozšiřovat ani k ní přidávat dodatky.

Na výrobek EZVIZ se poskytuje záruka o délce dvou (2) let od data zakoupení, která se vztahuje na vady materiálu a zpracování. Délka záručního období může být delší podle toho, jak je to vyžadováno zákonem dané země nebo státu, kde se výrobek prodává a používá normálním způsobem v souladu s tímto návodem k obsluze.

Požadujete-li záruční servis, obraťte se na náš zákaznický servis.

Pokud došlo během záruční doby k jakékoli závadě výrobku EZVIZ, společnost EZVIZ dle svého uvážení (i) výrobek zdarma opraví nebo vymění; (ii) výrobek vymění za jiný výrobek s ekvivalentními funkcemi; nebo (iii) vrátí částku původně za výrobek zaplacenou, a to za předpokladu, že se toto doloží původní účtenkou nebo její kopii, přiloží se stručný popis závady a výrobek se vrátí v původním balení. Je výhradně na uvážení společnosti EZVIZ, zda výrobek opraví nebo vymění za nový nebo repasovaný výrobek nebo komponenty. Tato záruka nepokrývá náklady na přepravu, pojištění ani žádné jiné vedlejší výdaje spojené s vaším vrácením výrobku.

Kromě případů omezených příslušným zákonem se jedná o vaše výhradní a exkluzivní nápravné opatření k případě porušení podmínek této záruky. Na všechny výrobky, které byly v rámci této záruky opraveny nebo vyměněny, se vztahují podmínky této záruky po dobu devadesáti (90) dní od data dodání nebo po zbývající dobu původní záruční doby.

Tato záruka se nevztahuje na následující případy, ve kterých se ruší její platnost:

- Záruční reklamacie neproběhla v záruční době nebo nebyl dodán doklad o zakoupení.
- Jakékoli závady, vady nebo nedostatky průkazně způsobené nebo vzniklé následkem nárazu, nesprávné manipulace, neoprávněného vniknutí, nedodržení pokynů v příslušném návodu k obsluze, nesprávným síťovým napětím, požárem, krádeží, požárem, záplavou nebo působením vyšší moci, poškození při přepravě nebo poškození vzniklé následkem oprav prováděných neautorizovanými osobami.
- Jakékoli spotřební součásti, jako jsou baterie, kde k nefunkčnosti dochází běžně v důsledku stárnutí výrobku.
- Kosmetická poškození včetně, ale nikoli výhradně, poškrábání, promáčknutí nebo rozlomení plastových dílů v místě portů.
- Jakýkoli software, dokonce ani v případě, že je součástí balení nebo se prodává současně s hardwarem EZVIZ.
- Jakákoli jiná poškození vzniklá jiným způsobem než vadou materiálu či zpracování.
- Běžné čištění, normální ošetřování a mechanické opotřebení.

Máte-li jakékoli dotazy, neváhejte se obrátit na prodejce nebo náš zákaznický servis.

OBMEDZENÁ ZÁRUKA

Ďakujeme za zakúpenie produktov spoločnosti Hangzhou EZVIZ Software Co., Ltd. („EZVIZ“). Táto obmedzená záruka („záruka“) vám ako pôvodnému kupujúcemu produktu EZVIZ zaručuje špecifické zákonné práva. Môžete mať aj iné zákonné práva, ktoré sa líšia v závislosti od štátu, kraja alebo jurisdikcie. Táto záruka sa vzťahuje iba na pôvodného kupujúceho produktu. „Pôvodný kupujúci“ predstavuje ľubovoľného kupujúceho, ktorý si zakúpil produkt EZVIZ od autorizovaného predajcu. Zrieknutie sa zodpovednosti, vylúčenie a obmedzenie zodpovednosti v rámci tejto záruky sa nevzťahuje na rozsah, ktorý je zakázaný platnými zákonmi. Žiaden distribútor, predajca, zástupca ani zamestnanec nie je oprávnený robiť žiadne úpravy, rozšírenie ani doplnenie tejto záruky.

Produkt EZVIZ má záruku s trvaním dvoch (2) rokov od dátumu zakúpenia vzťahujúcu sa na chyby materiálov a spracovania alebo dlhšiu záruku, ktorú môžu vyžadovať zákony v krajine alebo štáte, v ktorom sa tento produkt predáva, keď sa používa bežne v súlade s návodom na používanie.

So žiadosťou o záručný servis sa môžete obrátiť na našu službu zákazníkom.

V prípade akéhokoľvek chybného produktu EZVIZ, na ktorý sa vzťahuje záruka, vykoná spoločnosť EZVIZ podľa vlastného uváženia (i) bezplatnú opravu alebo výmenu produktu; (ii) výmenu produktu za funkčný ekvivalentný produkt; (iii) prípadne vráti pôvodnú kúpnu cenu za predpokladu, že poskytnete pôvodný doklad o kúpe alebo jeho kópiu, stručné vysvetlenie poruchy a vrátite produkt v pôvodnom balení. Na základe vlastného uváženia spoločnosti EZVIZ môže byť oprava alebo výmena vykonaná použitím nového alebo renovovaného produktu alebo komponentov. Táto záruka sa nevzťahuje na prepravné náklady, poistenie alebo akékoľvek ďalšie vedľajšie náklady, ktoré vznikli pri vrátení produktu.

S výnimkou prípadov, keď to príslušné zákony zakazujú, je to váš výlučný a výhradný opravný prostriedok v prípade porušenia tejto záruky. Na každý produkt, ktorý bol opravený alebo vymenený v rámci tejto záruky, sa budú vzťahovať podmienky tejto záruky počas deväťdesiatich (90) dní od dátumu doručenia alebo počas zostávajúcej pôvodnej záručnej doby podľa toho, ktoré obdobie je dlhšie.

Táto záruka neplatí a nevzťahuje sa na nasledujúce prípady:

- Ak sa nárok na záruku uskutočňuje mimo záručnej doby alebo ak nie je predložený dôkaz o zakúpení.
- V prípade akejkoľvek nefunkčnosti, chyby alebo poruchy spôsobenými nárazom, nesprávnym používaním, neoprávneným zasahovaním, používaním v rozpore s príslušným návodom na používanie, nesprávnym napätím elektrickej siete, nehodou, stratou, krádežou, požiarom, záplavou, alebo inými neočakávanými udalosťami, poškodením pri preprave, alebo poškodením spôsobeným opravami vykonanými neoprávneným personálom, alebo ich v prípade ich dôsledkov.
- V prípade spotrebných súčastí, ako sú napr. batérie, pri ktorých je nefunkčnosť spôsobená bežným starnutím produktu.
- Vizualné poškodenie vrátane, avšak bez obmedzenia na škrabance, zárezy a zlomené plastové časti portov.
- Akýkoľvek softvér, aj keď sa dodáva alebo predáva s hardvérom EZVIZ.
- V prípade akýchkoľvek iných škôd bez poškodenia materiálu alebo spracovania.
- Rutinné čistenie, bežné vizuálne a mechanické opotrebovanie.

Ak máte akékoľvek otázky, neváhajte a obráťte sa na predajcu alebo služby zákazníkom.

BEGRENSET GARANTI

Takk for at du har kjøpt produkter fra Hangzhou EZVIZ Software Co., Ltd. ("EZVIZ"). Denne begrensede garantien ("garanti") gir deg som er den opprinnelige kjøper av EZVIZ-produktet, spesifikke lovfestede rettigheter. Du kan også ha andre lovfestede rettigheter som varierer med stat, provins eller domsmakt. Denne garantien gjelder kun for den opprinnelige kjøper av produktet. Med "opprinnelig kjøper" menes den kunden som har kjøpt EZVIZ-produktet fra en autorisert forhandler. Ansvarsfraskrivelsene, utelukkelsene og ansvarsbegrensningene i denne garantien gjelder ikke dersom gjeldende lov forbyr dette. Ingen distributør, forhandler, agent eller ansatt er autorisert til å gjøre endringer, utvidelser eller tillegg til denne garantien.

Ditt EZVIZ-produkt er garantert for en periode på to (2) år fra kjøpsdatoen mot feil på materialer og utførelse, eller for en lengre periode som kan kreves av loven i det landet eller den staten hvor dette produktet selges, når det brukes normalt, og i samsvar med brukerhåndboken.

Du kan be om garantiservice ved å kontakte vår kundeservice.

For ethvert defekt EZVIZ-produkt under garanti vil EZVIZ, etter eget for godtbefinnende, (i) reparere eller erstatte produktet kostnadsfritt; (ii) bytte produktet med et funksjonelt ekvivalent produkt; eller (iii) refundere den opprinnelige kjøpesummen, forutsatt at du kan fremskaffe originalkvitteringen eller en kopi av denne, gi en kort beskrivelse av feilen og returnere produktet i originalemballasjen. EZVIZ kan, etter eget skjønn, reparere eller erstatte produktet eller komponenter med nye eller fabrikkoverholte produkter eller komponenter. Denne garantien dekker ikke fraktkostnadene, forsikringen eller eventuelle andre tilleggskostnader som du belastes med ved retur av produktet.

Med unntak av det som er forbudt i henhold til gjeldende lov, er dette ditt eneste rettsmiddel ved brudd på denne garantien. Ethvert produkt som enten er reparert eller erstattet under denne garantien, vil bli dekket av vilkårene i denne garantien for en periode på nitti (90) dager fra leveringsdato eller gjenværende opprinnelige garantiperiode.

Denne garantien gjelder ikke, og er ugyldig:

- Hvis garantikravet er gjort utenfor garantiperioden, eller hvis kjøpsbevis ikke kan fremskaffes.
- For funksjonsfeil, mangler eller feil som forårsakes av, eller skyldes synlige bevis for slag, mishandling, sabotasje, bruk i strid med gjeldende brukerhåndbok, feil spenning på strømmettet, ulykke, tap, tyveri, brann, flom eller force majeure, transportskade eller skade som følge av reparasjoner utført av uautorisert personale.
- For eventuelle forbruksdeler, som f.eks. batterier, der feilen skyldes normal aldring av produktet.
- Kosmetisk skade, inkludert, men ikke begrenset til riper, hakk og ødelagt plast på porter.
- All programvare, selv om den er pakket eller solgt med EZVIZ-maskinvarer.
- For eventuelle andre skader som ikke skyldes feil i materiale eller utførelse.
- Rutinemessig rengjøring, normal kosmetisk og mekanisk slitasje.

Hvis du har spørsmål, ikke nøl med å kontakte selgeren eller vår kundeservice.

BEGRÄNSAD GARANTI

Tack för att du har köpt produkter från Hangzhou EZVIZ Software Co., Ltd. ("EZVIZ") Denna begränsade garanti ger dig, den ursprunglige köparen av EZVIZ-produkten särskilda juridiska rättigheter. Du kan dessutom ha andra juridiska rättigheter som varierar mellan stater, provinser och jurisdiktioner. Denna garanti gäller endast för den ursprunglige köparen av produkten. "Ursprunglig köpare" innebär den kund som har köpt EZVIZ-produkten från en auktoriserad återförsäljare. Friskrivningarna, undantagen och ansvarsbegränsningarna i denna garanti gäller inte om de är förbjudna i tillämplig lagstiftning. Ingen distributör, återförsäljare, agent eller anställd är auktoriserad att göra några ändringar, utökningar eller tillägg i denna garanti.

Din EZVIZ-produkt har garanti under en period av två (2) år från inköpsdatum för material- och tillverkningsfel, eller sådan längre period som kan vara lagstadgad i det land eller den stat där denna produkt säljs, vid normal användning i enlighet med användarhandboken.

Du kan begära garantiservice genom att kontakta vår Kundservice.

För alla defekta EZVIZ-produkter med garanti, kommer EZVIZ efter eget val att, (i) reparera eller ersätta din produkt utan kostnad, (ii) byta ut din produkt mot en fungerande likvärdig produkt, eller (iii) återbetala det ursprungliga inköpspriset, under förutsättning att du tillhandahåller det ursprungliga kvittot eller en kopia av det, en kort beskrivning av felet och returnerar produkten i sin originalförpackning. Enligt EZVIZ eget omdöme kan reparation eller ersättning ske med en ny eller renoverad produkt eller komponent. Denna garanti omfattar inte fraktkostnader, försäkringar, eller andra tilläggskostnader du har när du returnerar produkten.

Förutom där det är förbjudet i tillämplig lagstiftning är detta din enda och exklusiva gottgörelse enligt denna garanti. Alla produkter som antingen har reparerats eller ersatts enligt denna garanti kommer att omfattas av villkoren i denna garanti under nittio (90) dagar från leveransdatum, eller den återstående ursprungliga garantiperioden, beroende på vilken som är längst.

Garantin gäller inte för följande och upphävs:

- Om garantianspråket sker utanför garantiperioden eller om inköpsbeviset inte tillhandahålles,
- För eventuellt funktionsstörning, defekt eller fel som orsakas av eller är ett resultat av stötar, misskötsel, manipulation, användning på annat sätt än vad som sägs i tillämplig bruksanvisning, felaktig spänningsmatning, olycka, förlust, stöld, brand, översvämning eller andra oförutsägbara fenomen, transportskador, eller skador som uppstår till följd av reparationer utförda av obehörig personal.
- För alla förbrukningsdelar, såsom batterier där funktionsstörningen är en del av produktens normala åldrande,
- Kosmetiska skador, inklusive men inte begränsat till repor, bucklor och avbrutna plastdelar vid portarna,
- All programvara, även om den förpackats och sålts tillsammans med EZVIZ-hårdvara,
- För alla andra skador som är fria från fel i material eller tillverkning,
- Vanlig rengöring, normalt kosmetiskt och mekaniskt slitage.

Tveka inte att kontakta din återförsäljare eller vår Kundservice om du har några frågor.

BEGRÆNSET GARANTI

Tak fordi, du har valgt at købe et produkt fra Hangzhou EZVIZ Software Co., Ltd. ("EZVIZ"). Denne begrænsede garanti ("garanti") giver dig som oprindelig køber af EZVIZ-produktet specifikke juridiske rettigheder. Du kan også have andre juridiske rettigheder, der varierer alt efter land eller jurisdiktion. Denne garanti gælder kun for den oprindelige køber af produktet. "Oprindelig køber" betegner en forbruger, der har købt EZVIZ-produktet hos en autoriseret forhandler. Fraskrivelserne, udelukkelse og begrænsningerne i ansvar under denne garanti gælder ikke i det omfang, at de er forbudt iht. gældende lov. Ingen distributør, forhandler, agent eller medarbejder er autoriseret til at ændre, udvide eller føje betingelser til denne garanti.

Dit EZVIZ-produkt er dækket af en garanti på to (2) år fra købsdatoen mod materiale- og fabriktionsfejl eller i en længere periode, afhængigt af gældende lovkrav i landet, hvor produktet sælges, når produktet bruges normalt iht. brugervejledningen.

Du kan anmode om service under garantien ved at kontakte vores kundeserviceafdeling.

For defekte EZVIZ-produkter i løbet af garantiperioden gælder, at EZVIZ efter eget skøn vil (i) reparere eller erstatte produktet uden beregning, (ii) ombytte produktet med et produkt med tilsvarende funktioner, eller (iii) refundere den oprindelige købspris, såfremt du fremsender den originale købskvittering eller en kopi sammen med en kort beskrivelse af defekten og returnerer produktet i den originale emballage. Produktet kan, efter EZVIZ's eget skøn, repareres eller udskiftes med et nyt produkt eller med et produkt med nye eller brugte komponenter. Denne garanti dækker ikke udgifter til fragt, forsikring eller andre udgifter, som du pådrages ved returnering af produktet.

Medmindre det ikke er tilladt iht. gældende lovgivning, er dette din eneste beføjelse i tilfælde af overtrædelser af denne begrænsede garanti. Alle produkter, som er blevet repareret eller udskiftet iht. denne garanti, vil være omfattet af bestemmelserne i denne garanti i halvfems (90) dage fra leveringsdatoen eller i den resterende oprindelige garantiperiode, alt efter hvad der er længst.

Denne garanti gælder ikke og bortfalder i følgende tilfælde:

- Hvis garantikravet bliver fremsat efter garantiperiodens udløb, eller hvis købsbeviset ikke fremskaffes
- Ved enhver fejl, defekt eller mangel, der er forårsaget eller er opstået som følge af stød, mishandling, indgreb, anvendelse i modstrid med den relevante betjeningsvejledning, tilslutning til forkert netspænding, uheld, tab, tyveri, oversvømmelse eller anden force majeure, transportskade eller beskadigelser, som skyldes reparationer udført af uautoriseret personale
- I relation til forbrugsvarer, som f.eks. batterier, hvor fejlen skyldes normal aldring af produktet
- Kosmetiske skader, herunder men ikke begrænset til, ridser, buler og knækket plastik på porte
- I relation til software, selvom den er emballeret eller solgt sammen med EZVIZ-hardware
- I relation til alle andre skader, der er fri for defekter i materiale eller fabrikation
- Regelmæssig rengøring, normale kosmetiske fejl og mekanisk slitage.

Du er meget velkommen til at kontakte vores sælger eller vores kundeservice, hvis du har spørgsmål.

RAJOITETTU TAKUU

Kiitos, kun ostit Hangzhou EZVIZ Software Co., Ltd. ("EZVIZ") -tuotteita. Tämä rajoitettu takuu ("takuu") antaa alkuperäiselle EZVIZ-tuotteen ostajalle tiettyjä laillisia oikeuksia. Sinulla voi olla myös muita laillisia oikeuksia, jotka vaihtelevat valtion, maakunnan tai lainkäyttöalueen mukaan. Tämä takuu koskee vain tuotteen alkuperäistä ostajaa. "Alkuperäinen ostaja" on kuka tahansa kuluttaja, joka on ostanut EZVIZ-tuotteen valtuutetulta myyjältä. Tämän takuun vastuuvapauslausekkeita, poikkeuksia ja vastuun rajoituksia ei sovelleta, jos se olisi sovellettavan lain vastaista. Mikään jakelija, jälleenmyyjä, edustaja tai työntekijä ei saa tehdä tähän takuuseen muutoksia, laajennuksia tai lisäyksiä.

EZVIZ-tuotteellesi on myönnetty materiaali- ja valmistusvirheet kattava takuu kahdeksi (2) vuodeksi ostopäivästä tai sitä pidemmäksi ajaksi, mikäli tuotteen myyntimaan tai -alueen lainsäädäntö niin velvoittaa, kun tuotetta käytetään normaalisti käyttöoppaan ohjeiden mukaisesti.

Voit pyytää takuuhuoltoa ottamalla yhteyttä asiakaspalveluumme.

Takuun piiriin kuuluvien viallisten EZVIZ-tuotteiden osalta EZVIZ voi harkintansa mukaan (i) korjata tai vaihtaa tuotteen uuteen maksutta, (ii) vaihtaa tuotteen toiminnallisesti vastaavaan tuotteeseen tai (iii) hyvittää alkuperäisen ostohinnan edellyttäen, että toimitat alkuperäisen ostokuitin tai sen kopion sekä lyhyen selityksen viasta ja palautat tuotteen sen alkuperäisessä pakkauksessa. EZVIZ voi harkintansa mukaan käyttää korjaamisessa tai vaihtamisessa uusia tai kunnostettuja tuotteita tai osia. Tämä takuu ei kata kuljetuskustannuksia, vakuutuksia tai muita satunnaisia kuluja, jotka aiheutuvat tuotteen palauttamisesta. Jollei kielletty sovellettavassa laissa, tämä on ainoa takuuehtojen rikkomisessa sovellettava oikeuskeinosi. Mikä tahansa tuote, joka on joko korjattu tai vaihdettu tämän takuun puitteissa, kuuluu takuun ehtojen piiriin pidemmän yhdeksänkymmenen (90) päivän ajan toimituspäivästä tai jäljellä olevan alkuperäisen takuujan verran.

Takuu ei ole voimassa ja raukeaa seuraavissa tapauksissa:

- Jos takuukorvaushakemus tehdään takuujan ulkopuolella tai jos ostotodistusta ei toimiteta.
- Mikäli toimintahäiriö tai vika johtuu todisteiden perusteella iskusta, väärinkäytöstä, peukaloinnista, käyttöoppaan ohjeiden vastaisesta käytöstä, väärästä jännitteestä, onnettomuudesta, hukkaamisesta, varkaudesta, tulipalosta, tulvasta tai muusta luonnonilmiöstä, kuljetuksen aikaisesta vahingoittumisesta tai valtuuttamattomien henkilöiden tekemistä korjauksista.
- Akun kaltaisten kulutusosien osalta silloin, kun toimintahäiriöt johtuvat tuotteen normaalista ikääntymisestä.
- Kosmeettiset vauriot, mukaan lukien rajoituksetta naarmut, kolhut ja porttien rikkoonuneet muoviosat.
- Kaikki ohjelmistot, mukaan lukien EZVIZ-laitteiston mukana toimitetut tai myydyt ohjelmistot.
- Mitkä tahansa muut vauriot, joissa ei ole materiaali- tai valmistusvikoja.
- Säännöllisestä puhdistamisesta johtuva kuluminen sekä normaali kosmeettinen ja mekaaninen kuluminen.

Älä epäro i ottaa yhteyttä myyjään tai asiakaspalveluumme, jos sinulla on kysymyksiä.



UD13656B