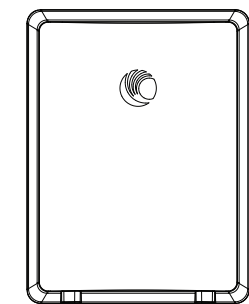


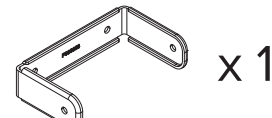
ASSEMBLY INSTRUCTIONS

Packaging Content



x 1

Radio Antenna Unit



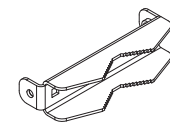
x 1

Bottom Mounting Clamp



x 1

M25 Cable Gland



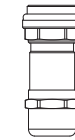
x 2

Pole Clamp



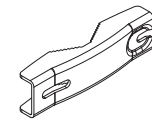
x 4

M8 x 160mm Round Head Bolt



x 1

M28 Cable Gland



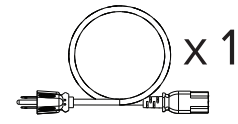
x 2

Pole Grip



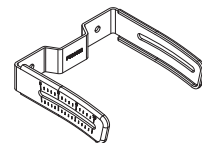
x 6

M8 x 16mm Hex Head Bolt



x 1

Power cord



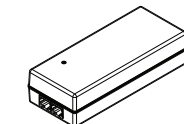
x 1

Top Mounting Clamp



x 10

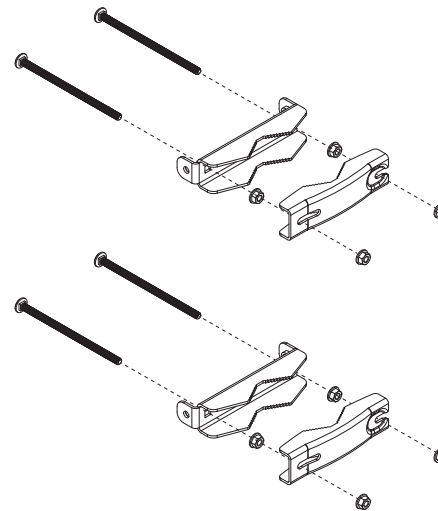
M8 Hex Head Lock Nut



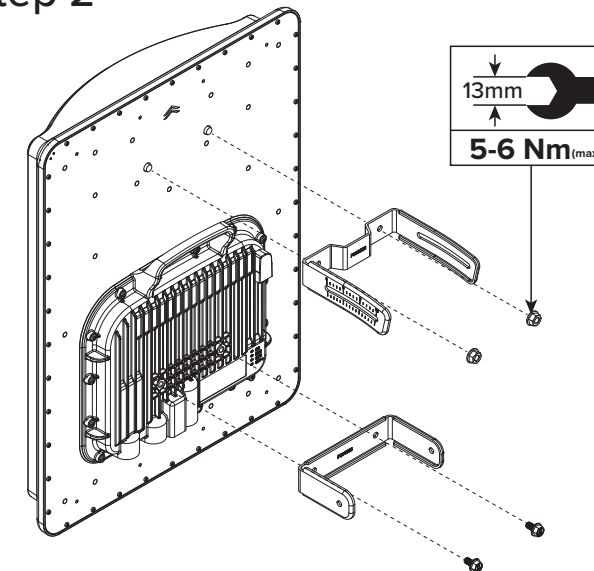
x 1

PoE Power Supply adapter

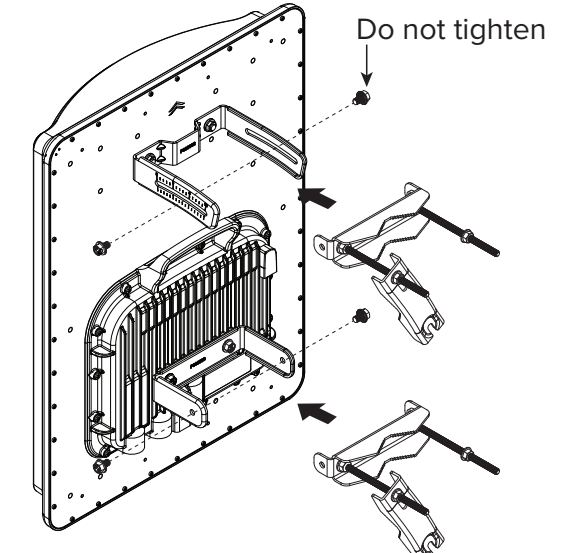
Step 1



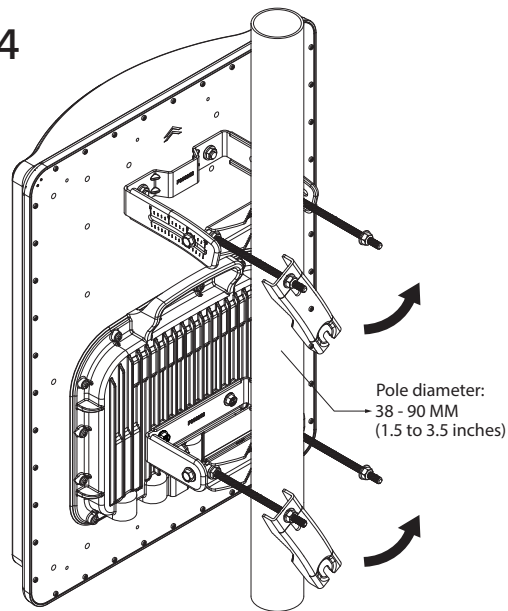
Step 2



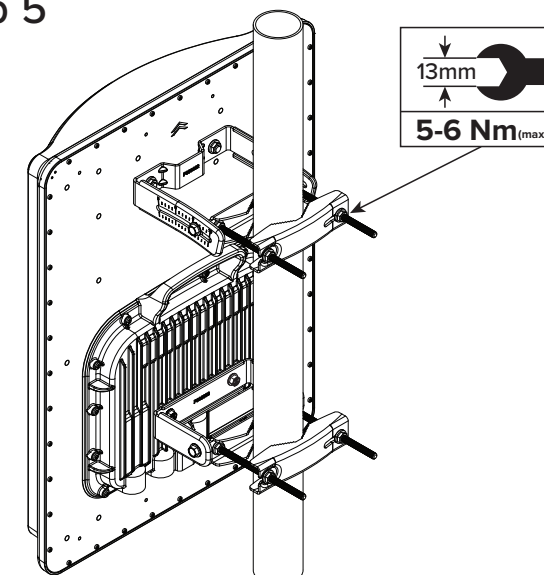
Step 3



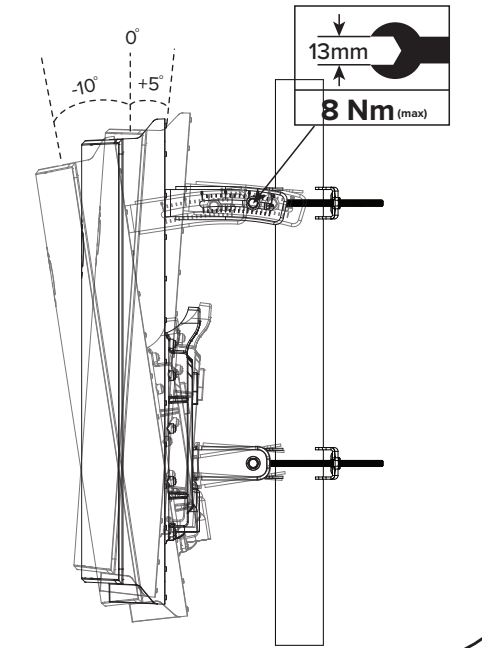
Step 4



Step 5



Step 6



Cable diameter
M25: 7'- 10mm
M28: 7'- 10mm

* supports up to 6mm